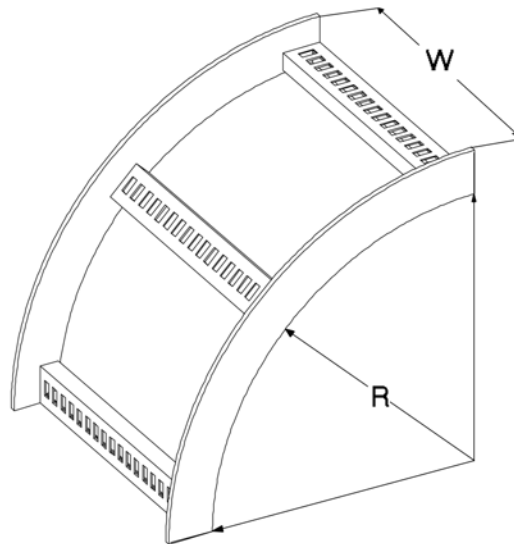


Vertical outside 90 with mounting holes & splice plates



- **Rail: 2" flat rail**
- **Rung Spacing: 12" centers standard (other spacing available)**
- **Tangents: (optional) 4 1/2" tangent with 7/16" holes**

Width	Radius	Hot Dip Galvanized		Dement Coat	Sigma 3		304 Stainless Steel		316 Stainless Steel
		Product #	Weight (lbs.)	Product #	Product #	Weight (lbs.)	Product #	Weight (lbs.)	Product #
6"	12"	110-021A0609	7.00	110-022A0609	110-023A0609	6.25	110-024A0609	6.75	110-025A0609
6"	24"	110-021B0609	13.00	110-022B0609	110-023B0609	11.50	110-024B0609	12.75	110-025B0609
9"	12"	110-021A0909	7.25	110-022A0909	110-023A0909	6.50	110-024A0909	7.00	110-025A0909
9"	24"	110-021B0909	13.75	110-022B0909	110-023B0909	12.25	110-024B0909	13.50	110-025B0909
12"	12"	110-021A1209	7.75	110-022A1209	110-023A1209	6.75	110-024A1209	7.50	110-025A1209
12"	24"	110-021B1209	14.75	110-022B1209	110-023B1209	13.25	110-024B1209	14.50	110-025B1209
18"	12"	110-021A1809	8.50	110-022A1809	110-023A1809	7.50	110-024A1809	8.25	110-025A1809
18"	24"	110-021B1809	16.25	110-022B1809	110-023B1809	14.50	110-024B1809	16.00	110-025B1809
24"	12"	110-021A2409	9.25	110-022A2409	110-023A2409	8.25	110-024A2409	9.00	110-025A2409
24"	24"	110-021B2409	18.00	110-022B2409	110-023B2409	16.00	110-024B2409	17.75	110-025B2409
30"	12"	110-021A3009	10.25	110-022A3009	110-023A3009	9.00	110-024A3009	10.00	110-025A3009
30"	24"	110-021B3009	19.50	110-022B3009	110-023B3009	17.50	110-024B3009	19.25	110-025B3009
36"	12"	110-021A3609	11.00	110-022A3609	110-023A3609	9.75	110-024A3609	10.75	110-025A3609
36"	24"	110-021B3609	21.25	110-022B3609	110-023B3609	19.00	110-024B3609	21.00	110-025B3609



Electro Mechanical Industries
P.O. BOX 79689
Houston, Texas 77279-9689
Fax: 713-465-9771

Office: 713-465-6828

Toll: 800-453-0050