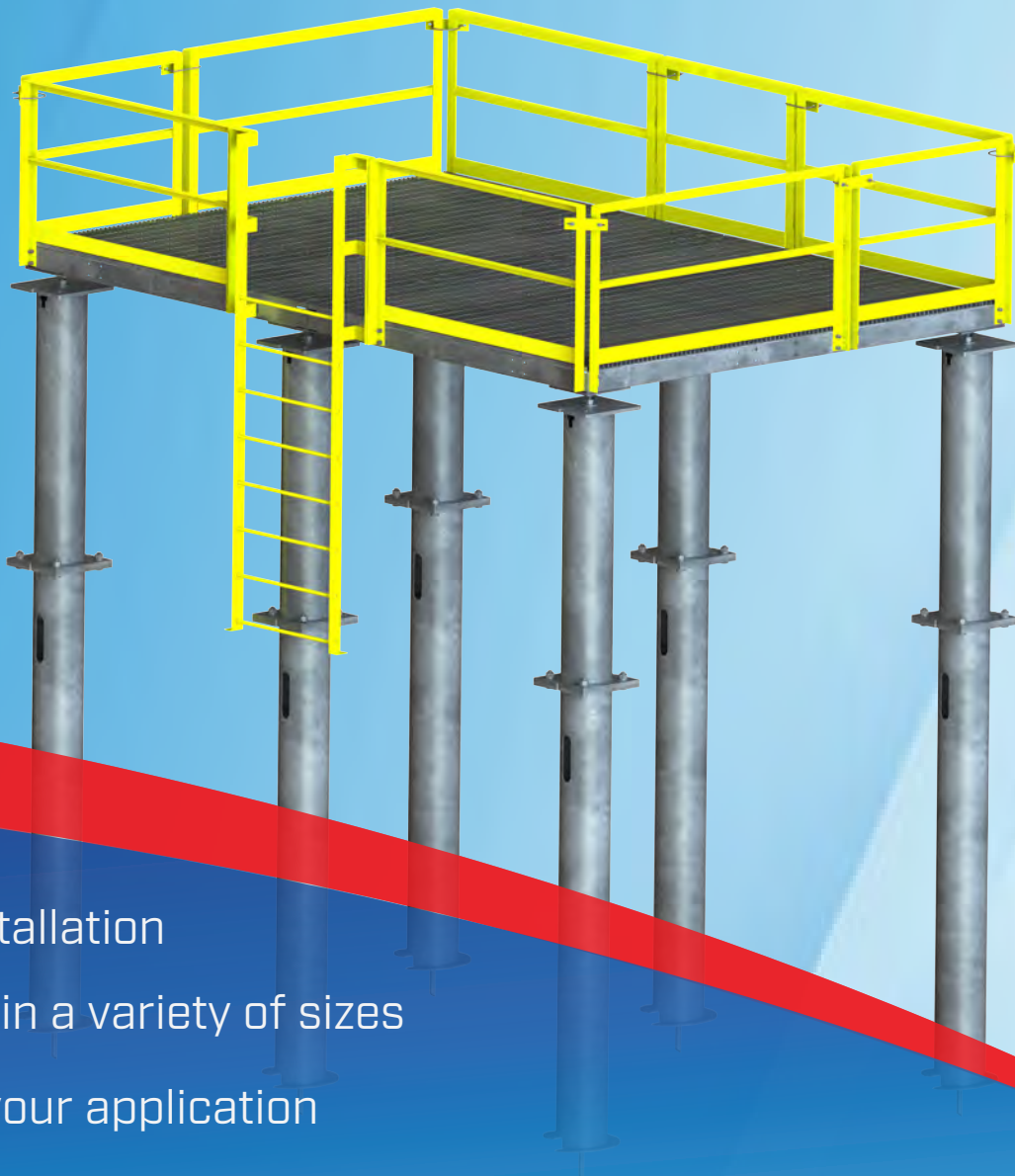
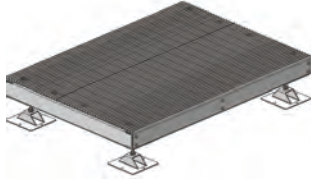


# Telecom Products Modular Equipment Platforms



- Rapid Installation
- Available in a variety of sizes
- Built for your application

## Bolt Together Platform



### Generator

Part #	Description
1001-0020-0062	4' x 9' Generator Platform w/Feet
1000-0010-0109	5' x 6' Generator Platform w/Helical Foundation
1000-0010-0234	5' x 7' Generator Platform w/Feet



### Equipment

Part #	Description
1001-0020-0134	8' x 10' Equipment Platform
1000-0010-0457	7.5' x 15' Equipment Platform
1001-0020-0136	10' x 15' Equipment Platform

### Platforms and Canopies

For your rapid deployment needs, EMI offers steel elevated and ground mount platforms. These types of platforms not only save time on deployment, they hold up in flood and windy conditions.

- Can be grade mounted or elevated with addition of handrail and stairs
- Canopy top option
- Designed for 120 mph winds, seismic zone 4, OSHA Compliant
- Generator platform attached with vibration dampening device
- With EMI's helical foundation solution, site can be installed in a day

**5' x 7' Accessory Platforms**

**Single H-Frame**

Part# - 1000-0010-0234



**Double H-Frame**

Part# - 1000-0010-0475



**Single w/Canopy**

Part# - 1003-0040-0026



**Double w/Canopy**

Part# - 1003-0040-0027



**7.5' x 15' Full Accessory Kit Platforms w/H-Frame**



Part #	Height	Description
1000-0010-0423-01	1'	7.5' x 15' Bolt Together Platform
1000-0010-0423-02	2'	w/Grating and Handrails (1)
1000-0010-0423-03	3'	6" x 7' Single Stud Helicals (6)
1000-0010-0423-04	4'	6" Dia. Spool Extensions (6)
1000-0010-0423-05	5'	Access Ladder Assembly(1)
1000-0010-0423-06	6'	H-Frame, 8 Level, 5' Tall (1)
1000-0010-0423-07	7'	
1000-0010-0423-08	8'	
1000-0010-0423-09	9'	
1000-0010-0423-10	10'	

**7.5' x 15' Full Accessory Kit Platforms w/H-Frame & Canopy**



Part #	Height	Description
1000-0010-0425-01	1'	10' x 15' Bolt together platform
1000-0010-0425-02	2'	w/grating and Handrails (1)
1000-0010-0425-03	3'	6" x 7' Single Stud Helicals (6)
1000-0010-0425-04	4'	6" Dia. Spool Extensions (6)
1000-0010-0425-05	5'	Access Ladder Assembly(1)
1000-0010-0425-06	6'	H-Frame, 8 Level, 5' Tall (1)
1000-0010-0425-07	7'	Canopy (1)
1000-0010-0425-08	8'	
1000-0010-0425-09	9'	
1000-0010-0425-10	10'	

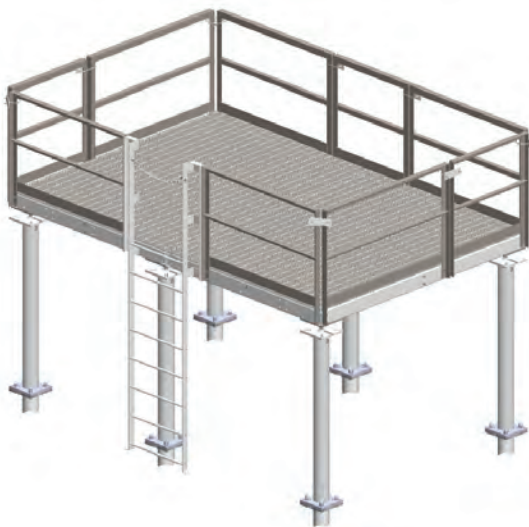


## 8' x 10' Full Accessory Kit Platforms



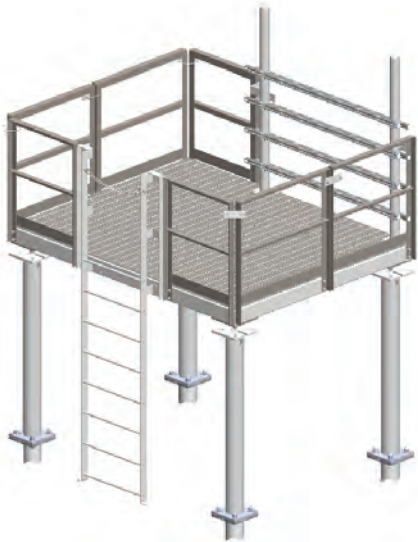
Part #	Height	Description
1000-0010-0403-01	1'	8' x 10' Bolt Together Platform
1000-0010-0403-02	2'	w/Grating and Handrails (1)
1000-0010-0403-03	3'	6" x 7' Single Stud Helicals (4)
1000-0010-0403-04	4'	6" Dia. Spool Extensions (4)
1000-0010-0403-05	5'	Access Ladder Assembly(1)
1000-0010-0403-06	6'	
1000-0010-0403-07	7'	
1000-0010-0403-08	8'	
1000-0010-0403-09	9'	
1000-0010-0403-10	10'	
1000-0010-0404-01	1'	8' x 10' Bolt together platform
1000-0010-0404-02	2'	w/grating and Handrails (1)
1000-0010-0404-03	3'	10" x 10' Standard Helicals (4)
1000-0010-0404-04	4'	10" Dia. Spool Extensions (4)
1000-0010-0404-05	5'	Access Ladder Assembly(1)
1000-0010-0404-06	6'	
1000-0010-0404-07	7'	
1000-0010-0404-08	8'	
1000-0010-0404-09	9'	
1000-0010-0404-10	10'	

## 10' x 15' Full Accessory Kit Platforms



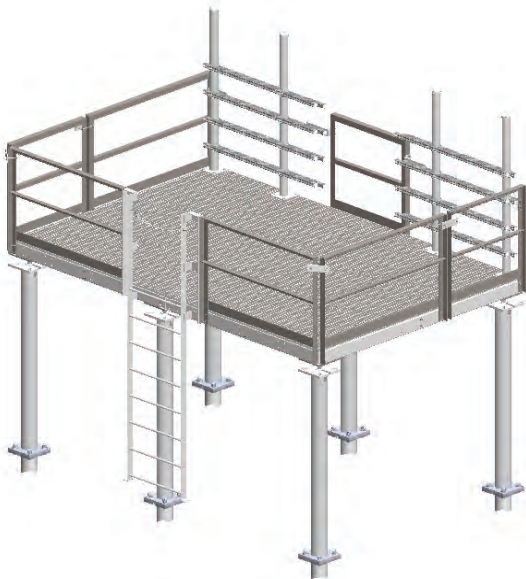
Part #	Height	Description
1000-0010-0405-01	1'	10' x 15' Bolt together platform
1000-0010-0405-02	2'	w/grating and Handrails (1)
1000-0010-0405-03	3'	6" x 7' Single Stud Helicals (6)
1000-0010-0405-04	4'	6" Dia. Spool Extensions (6)
1000-0010-0405-05	5'	Access Ladder Assembly(1)
1000-0010-0405-06	6'	
1000-0010-0405-07	7'	
1000-0010-0405-08	8'	
1000-0010-0405-09	9'	
1000-0010-0405-10	10'	
1000-0010-0406-01	1'	10' x 15' Bolt together platform
1000-0010-0406-02	2'	w/grating and Handrails (1)
1000-0010-0406-03	3'	10" x 10' Standard Helicals (6)
1000-0010-0406-04	4'	10" Dia. Spool Extensions (6)
1000-0010-0406-05	5'	Access Ladder Assembly(1)
1000-0010-0406-06	6'	
1000-0010-0406-07	7'	
1000-0010-0406-08	8'	
1000-0010-0406-09	9'	
1000-0010-0406-10	10'	

**8' x 10' Full Accessory Kit Platforms w/H-Frame**



Part #	Height	Description
1000-0010-0423-01	1'	8' x 10' Bolt Together Platform
1000-0010-0423-02	2'	w/Grating and Handrails (1)
1000-0010-0423-03	3'	6" x 7' Single Stud Helicals (4)
1000-0010-0423-04	4'	6" Dia. Spool Extensions (4)
1000-0010-0423-05	5'	Access Ladder Assembly(1)
1000-0010-0423-06	6'	H-Frame, 8 Level, 5' Tall (1)
1000-0010-0423-07	7'	
1000-0010-0423-08	8'	
1000-0010-0423-09	9'	
1000-0010-0423-10	10'	
1000-0010-0424-01	1'	8' x 10' Bolt together platform
1000-0010-0424-02	2'	w/grating and Handrails (1)
1000-0010-0424-03	3'	10" x 10' Standard Helicals (4)
1000-0010-0424-04	4'	10" Dia. Spool Extensions (4)
1000-0010-0424-05	5'	Access Ladder Assembly(1)
1000-0010-0424-06	6'	H-Frame, 8 Level, 5' Tall (1)
1000-0010-0424-07	7'	
1000-0010-0424-08	8'	
1000-0010-0424-09	9'	
1000-0010-0424-10	10'	

**10' x 15' Full Accessory Kit Platforms w/H-Frame**



Part #	Height	Description
1000-0010-0425-01	1'	10' x 15' Bolt together platform
1000-0010-0425-02	2'	w/grating and Handrails (1)
1000-0010-0425-03	3'	6" x 7' Single Stud Helicals (6)
1000-0010-0425-04	4'	6" Dia. Spool Extensions (6)
1000-0010-0425-05	5'	Access Ladder Assembly(1)
1000-0010-0425-06	6'	H-Frame, 8 Level, 5' Tall (1)
1000-0010-0425-07	7'	
1000-0010-0425-08	8'	
1000-0010-0425-09	9'	
1000-0010-0425-10	10'	
1000-0010-0426-01	1'	10' x 15' Bolt together platform
1000-0010-0426-02	2'	w/grating and Handrails (1)
1000-0010-0426-03	3'	10" x 10' Standard Helicals (6)
1000-0010-0426-04	4'	10" Dia. Spool Extensions (6)
1000-0010-0426-05	5'	Access Ladder Assembly(1)
1000-0010-0426-06	6'	H-Frame, 8 Level, 5' Tall (1)
1000-0010-0426-07	7'	
1000-0010-0426-08	8'	
1000-0010-0426-09	9'	
1000-0010-0426-10	10'	

## Extensions

### 6" Diameter

Height	Part#
1'	1007-TS06-0120
2'	1007-TS06-0240
3'	1007-TS06-0360
4'	1007-TS06-0480
5'	1007-TS06-0600
6'	1007-TS06-0720
7'	1007-TS06-0840
8'	1007-TS06-0960
9'	1007-TS06-1080
10'	1007-TS06-1200

### 10" Diameter

Height	Part#
1'	1007-TS10-0120
2'	1007-TS10-0240
3'	1007-TS10-0360
4'	1007-TS10-0480
5'	1007-TS10-0600
6'	1007-TS10-0720
7'	1007-TS10-0840
8'	1007-TS10-0960
9'	1007-TS10-1080
10'	1007-TS10-1200



All extensions provided with (1) Single Stud leveling hardware & (4) Direct Connect Bolts.

## Helical Foundation

### 6" x 7'

Part# - 1008-0050-0016

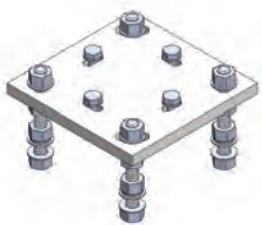


### 10" x 10'

Part# - 400-000-1001



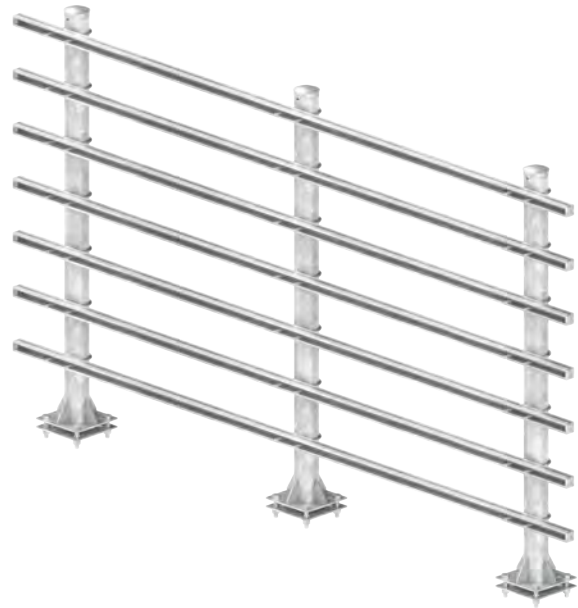
## Adapter Kits



Part#	Description	For use with
1000-0030-0148	6" Helical, 6" Square Bolt Pattern with 3/4" Hardware	USA <input checked="" type="checkbox"/> Pro Tower <input type="checkbox"/> Commscope <input type="checkbox"/>
1000-0030-0136	6" Helical, 6-1/2" Square Bolt Pattern with 5/8" Hardware	USA <input type="checkbox"/> Pro Tower <input checked="" type="checkbox"/> Commscope <input type="checkbox"/>
1000-0030-0141	6" Helical, 10" Square Bolt Pattern with 7/8" Hardware	USA <input checked="" type="checkbox"/> Pro Tower <input type="checkbox"/> Commscope <input checked="" type="checkbox"/>
1000-0030-0142	10" Helical, 5-3/4" Square Bolt Pattern with 5/8" Hardware	USA <input type="checkbox"/> Pro Tower <input checked="" type="checkbox"/> Commscope <input checked="" type="checkbox"/>
1000-0030-0147	10" Helical, 6" Square Bolt Pattern with 3/4" Hardware	USA <input checked="" type="checkbox"/> Pro Tower <input type="checkbox"/> Commscope <input type="checkbox"/>
1000-0030-0138	10" Helical, 6-1/2" Square Bolt Pattern with 5/8" Hardware	USA <input type="checkbox"/> Pro Tower <input checked="" type="checkbox"/> Commscope <input type="checkbox"/>
1000-0030-0139	10" Helical, 8-1/2" Square Bolt Pattern with 3/4" Hardware	USA <input type="checkbox"/> Pro Tower <input checked="" type="checkbox"/> Commscope <input type="checkbox"/>

## ● H-Frames

Part#	Description
1010-0010-0174	5 Level, 60" Wide, 6' Tall, 2 Post
1010-0010-0175	5 Level, 60" Wide, 5' Tall, 2 Post
1010-0010-0187	5 Level, 83" Wide, 6' Tall, 2 Post
1010-0010-0188	5 Level, 110" Wide, 5' Tall, 3 Post
1010-0010-0189	5 Level, 110" Wide, 6' Tall, 3 Post
1010-0010-0191	7 Level, 60" Wide, 5' Tall, 2 Post
1010-0010-0192	7 Level, 60" Wide, 6' Tall, 2 Post
1010-0010-0198	7 Level, 110" Wide, 5' Tall, 3 Post



## Leveling Kits

### Quad Mount



Part#	Description
1000-0030-0137	3/4" x 9" Long All Thread Leveling Hardware
1000-0030-0140	7/8" x 9" Long All Thread Leveling Hardware
1000-0020-0077	1" x 9" Long All Thread Leveling Hardware

### Single Mount



1000-0020-0076	1" x 9" Long All Thread Leveling Hardware
----------------	---

## Access Ladder



Part#	Description
W-002-560	72" Access Ladder

## Canopy - Retrofit



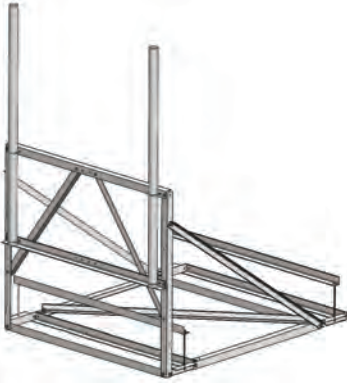
Part#	Description
1001-0030-0064	Bolt Together Canopy add-on for 5' x 7' Platform
1001-0030-0065	Bolt Together Canopy add-on for 10' x 15' Platform
1001-0030-0070	Bolt Together Canopy add-on for 8' x 10' Platform
1001-0030-0072	Bolt Together Canopy add-on for 7.5' x 15' Platform



● Rooftop Sled

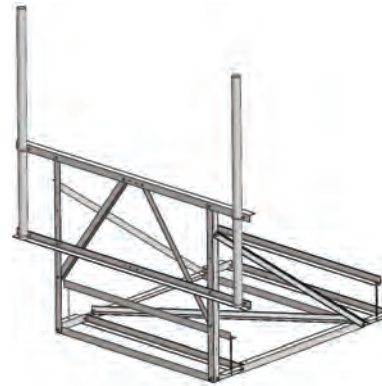
7' Face

Part# - 1000-0010-0321



10' Face

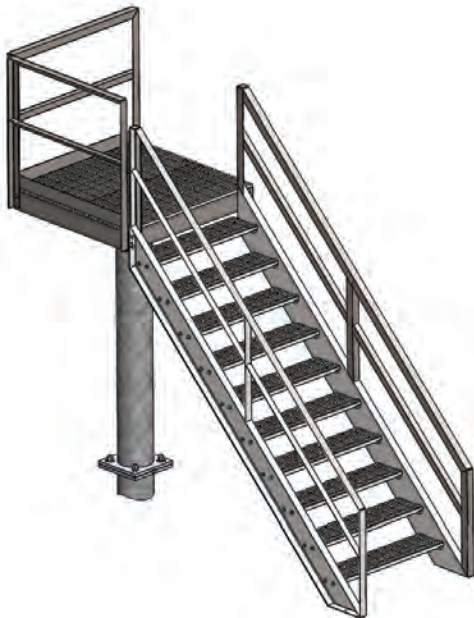
Part# - 1000-0010-0322



● Stairway w/Landing

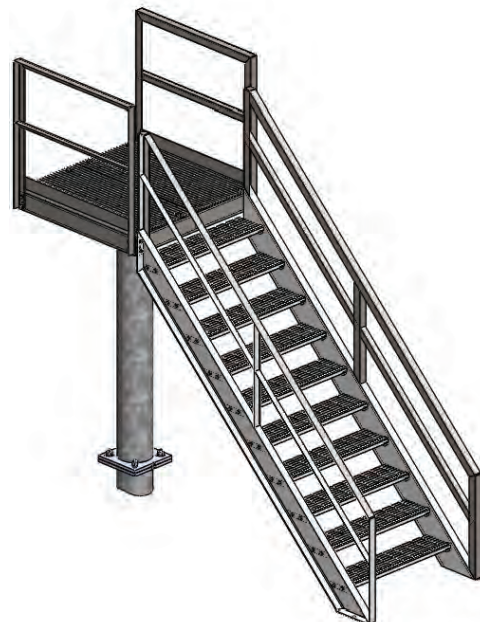
Corner

Part# - 1003-0040-0026



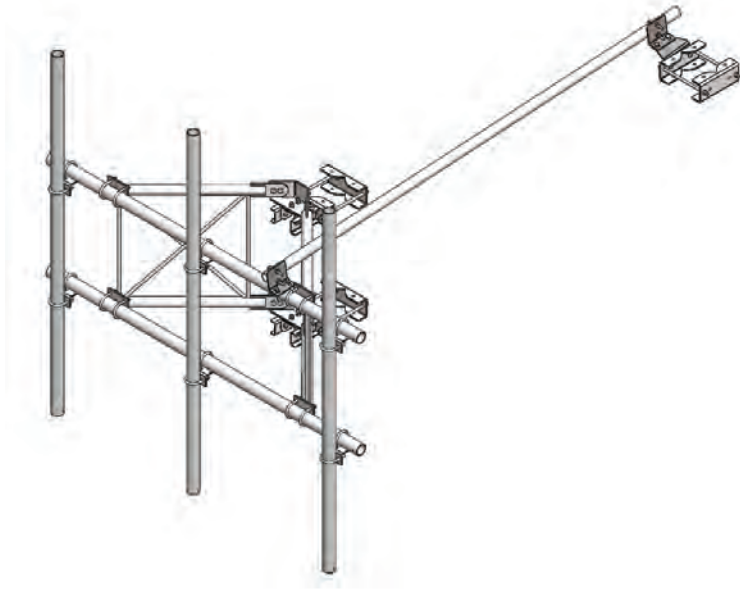
Straight

Part# - 1003-0040-0027



● **Sector Frame, Single Face, 8' x 8'**

Part# - 1012-0010-5371



● **Snub Nose Monopole Tower Mount**

Part# - 1000-0010-0293

