



AT&T WIC, WUC and Generator Foundation Ordering Guide



1-800-453-0050

www.emiproducts.com

11230 Neeshaw Drive, Houston, Texas 77065

Table of Contents

WIC Platform	Page
80" x 80" WIC Gravity/Pad Mount	4
10' x 10' WIC Gravity/Pad Mount	4
WIC Helical Mount	5
WIC Concrete Mount	6
WIC Platform	Page
102" x 75" WUC Gravity/Pad Mount w/Step	15
102" x 75" WUC Gravity/Pad Mount	16
WIC/Combo Platforms	Page
182" x 80" WIC/Combo Elevated Platform	7
230" x 145" WIC/Combo Elevated Platform	8
166" x 80" WIC/Combo Gravity Mount Skid Platform	9
166" x 80" WIC/Combo Helical Mount Grade Platform	10
166" x 80" WIC/WICG Gravity Mount Skid Platform	11
166" x 80" WIC/WICG Helical Mount Grade Platform	12
WIC Platform	Page
180" x 87 1/4" WUC/Combo Platform w/ Canopy	18
180" x 87 1/4" WUC/Combo Platform w/o Canopy	19
180" x 87 1/4" WUC/Combo Platform w/ Mesh Canopy	19

Generator Platforms	Page
9' x 4' Pad Mount Generator	20
53" x 35" Vertical Polar Generator Helical Mount Plinth	21
72" x 53" Helical Mount Generator Platform	22
144" x 53" Helical Mount Generator Platform	23
53" x 36" Vertical Generator Pad Mount Plinth	24
228" x 43 3/8" Generator Plinth Kit	25
Foundations	Page
6" Diameter x 7' Quad Mount Helical Kit	26
10" Diameter x 10' Single Stud Mount Helical Kit (4 Pk)	27
6" Dia. Pad Mount Extension Single Stud Mount (4 Pk)	28
6" Diameter Pad Mount Extension Quad Mount	28
10" Diameter Foundation Extensions	30
Accessories	Page
Platform Extension "Wing" Kit	13
WIC/Combo 90° Stair Landing Kits	14
Single Step Stair Kit	29
WIC & Genset Platform Fully Grated Conversion Kit	29
Canopy for WIC - WUC Outdoor Platform - 0146	31

AT&T WIC [WALK IN CABINET]

AT&T Standards determine the selection of foundation type.

1. Helical - 92% locations nationwide (standard option).
2. Concrete Pier/Gravity Mount - Rocky terrain/mountain top locations (where helical is not an option due to ground conditions).
3. Concrete Pad - Existing pad (no new pouring). Space available on the existing pad due to decommission of legacy enclosures, relocation.



80" x 80" WIC Gravity/Pad Mount

Part Number

AT&T- CEQ.53686 **EMI-** [1000-0000-0103](#) ↓
↓ [Click the EMI part number to download drawing.](#)

Description

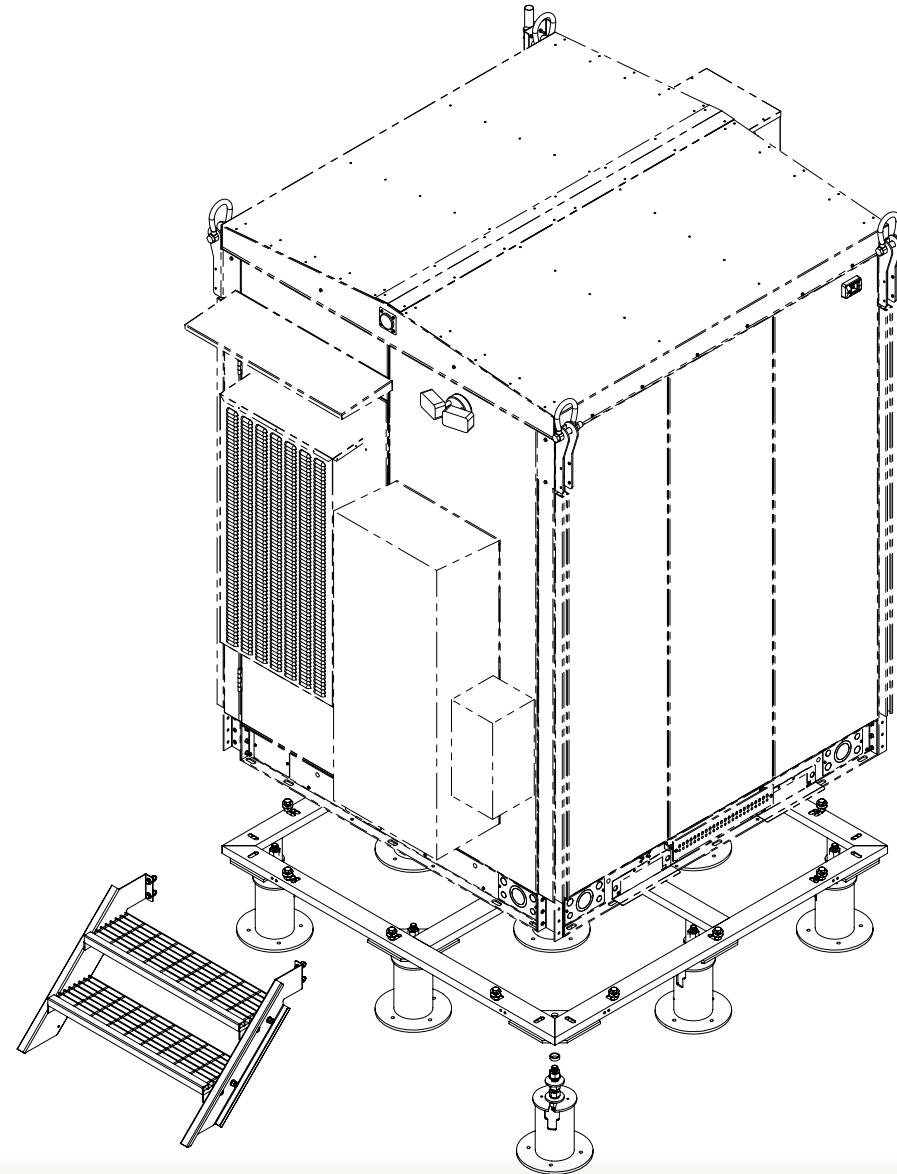
80" x 80" WIC gravity/pad mount platform kit, 2-step stair with leveling hardware.

Part Number

AT&T- CEQ.46388 **EMI-** [1000-0000-0162](#) ↓
↓ [Click the EMI part number to download drawing.](#)

Description

10' x 10' WIC gravity/pad mount platform kit, 2-step stair with leveling hardware.



WIC Helical Mount

Part Number

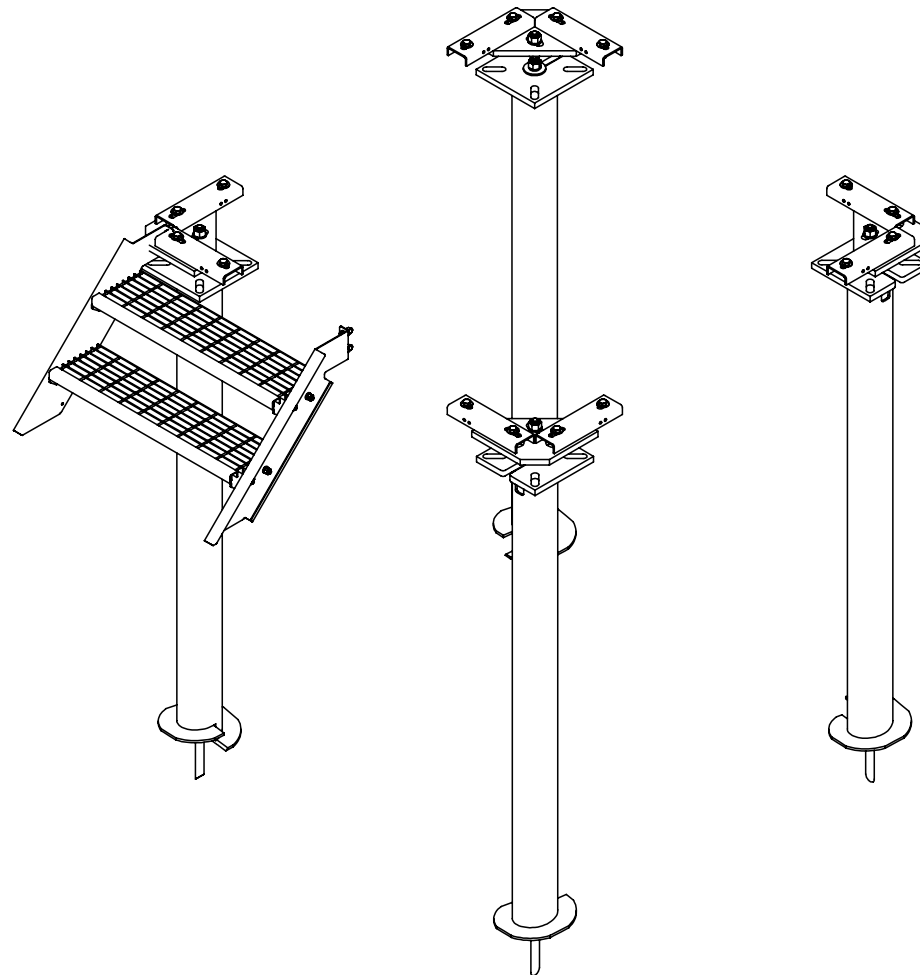
AT&T- CEQ.53680

EMI- [1000-0000-0101](#) ↓

↓ [Click the EMI part number to download drawing.](#)

Description

WIC corner mount helical kit, 2-step stair with leveling hardware.



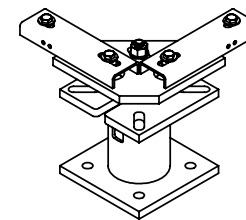
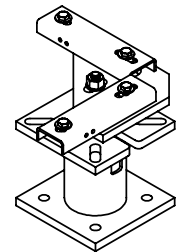
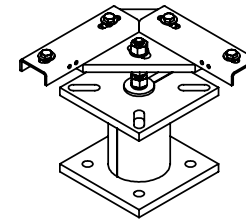
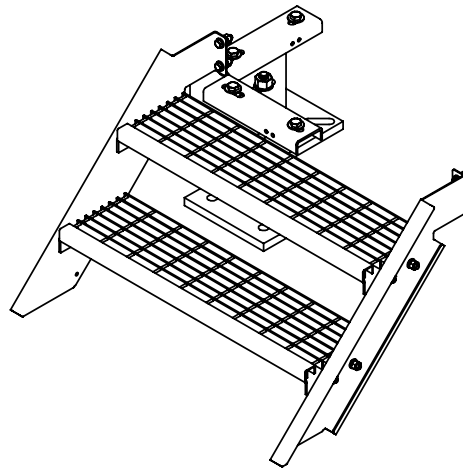
WIC Concrete Mount

Part Number

AT&T- CEQ.53655 EMI- [1007-0000-0012](#) ↓
↓ [Click the EMI part number to download drawing.](#)

Description

WIC pad mount corner kit, 17" mounting feet, 2-step stair with leveling hardware.



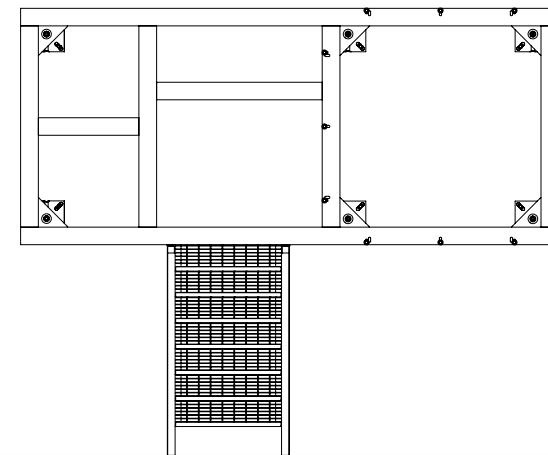
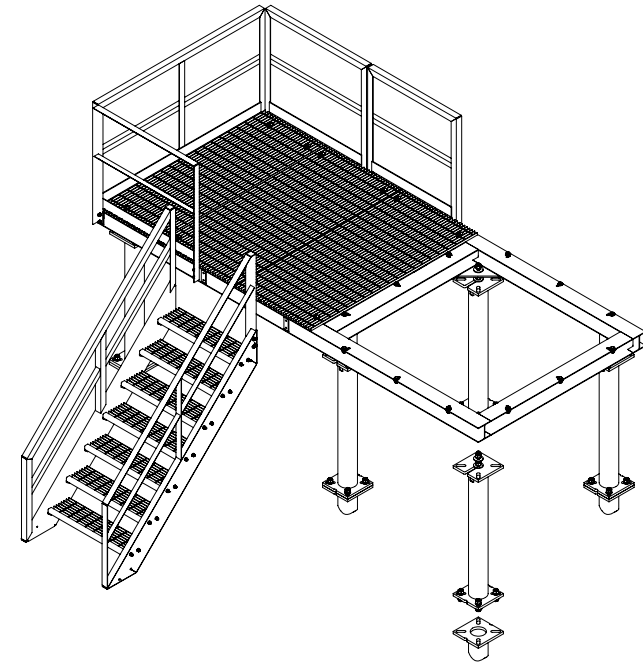
182" x 80" WIC/Combo Elevated Platform

Part Number	Elevation
AT&T- CEQ.53687 EMI- 1000-0010-0090-03 ↓	3 ft
AT&T- CEQ.***** EMI- 1000-0010-0090-04 ↓	4 ft
AT&T- CEQ.53670 EMI- 1000-0010-0090-06 ↓	6 ft

↓ Click the EMI part number to download drawing.

Description

Elevated WIC-genset combo platform kit, 182" x 80" for 3' to 6' elevations. Includes helicals and entry stair.



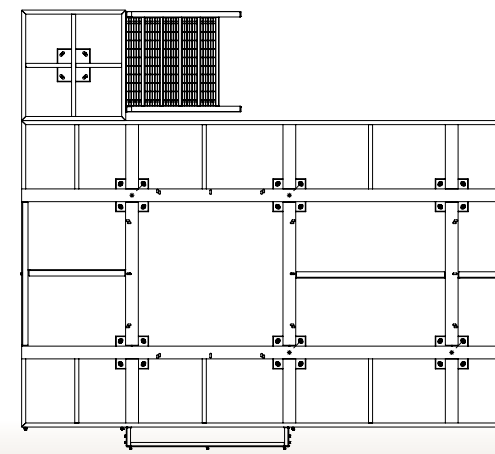
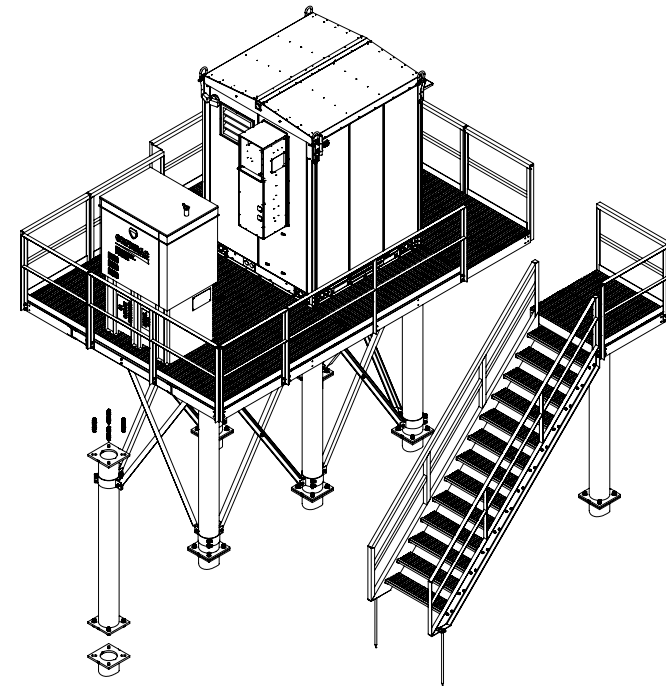
GRATING REMOVED FOR CLARITY

230" x 145" WIC/Combo Elevated Platform Extended

Part Number	Elevation
AT&T- CEQ.53671 EMI- 1000-0010-0146-04 ↓	4 ft
AT&T- CEQ.53666 EMI- 1000-0010-0146-06 ↓	6 ft
AT&T- CEQ.53656 EMI- 1000-0010-0146-08 ↓	8 ft
AT&T- CEQ.53659 EMI- 1000-0010-0146-10 ↓	10 ft
AT&T- CEQ.53664 EMI- 1000-0010-0146-12 ↓	12 ft
AT&T- CEQ.57514 EMI- 1000-0010-0146-14 ↓	14 ft
AT&T- CEQ.57484 EMI- 1000-0010-0146-16 ↓	16 ft
AT&T- CEQ.57168 EMI- 1000-0010-0146-18 ↓	18 ft
AT&T- CEQ.57166 EMI- 1000-0010-0146-20 ↓	20 ft

↓ Click the **EMI** part number to download drawing.

Description
 Elevated WIC-genset combo platform kit, 230"x 145" up to 30kW genset on the back. Includes 10" dia. helical foundations and entry stair.



NO GRATING OR GUARDRAILS

166" x 80" WIC/Combo Gravity Mount Skid Platform

Part Number

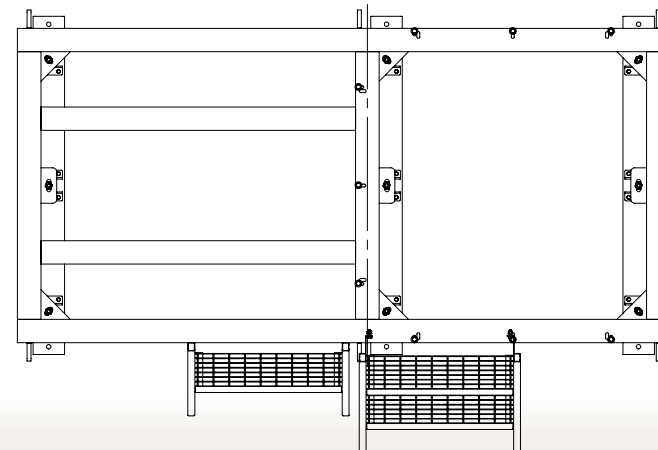
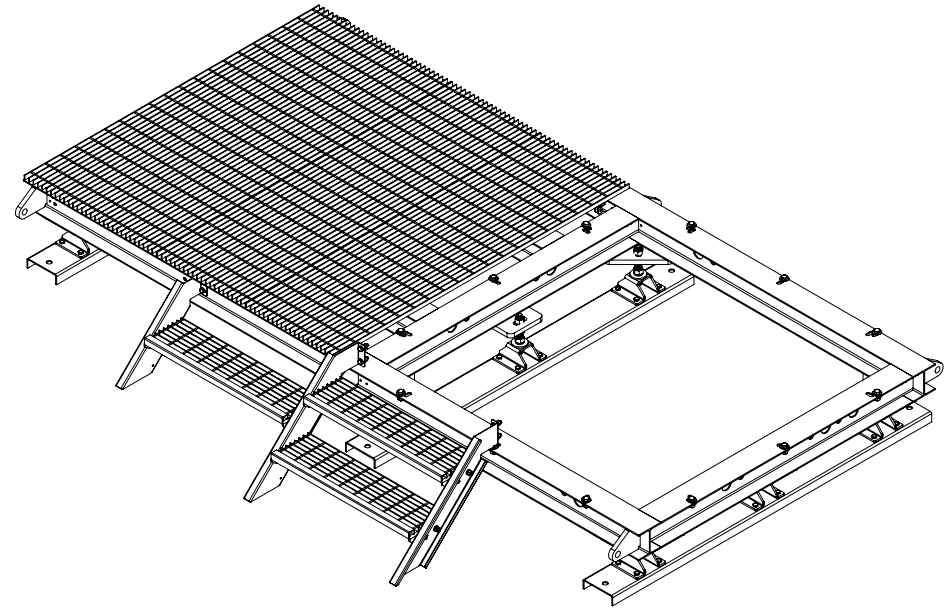
AT&T- CEQ.53657

EMI- 1000-0010-0123 ↓

↓ [Click the EMI part number to download drawing.](#)

Description

WIC-genset combo 166"x 80" gravity mount platform for 80"x80" WIC and genset. Includes 2-step, 3-step stair and gravity mount foundations



166" x 80" WIC/Combo Helical Mount Grade Platform

Part Number

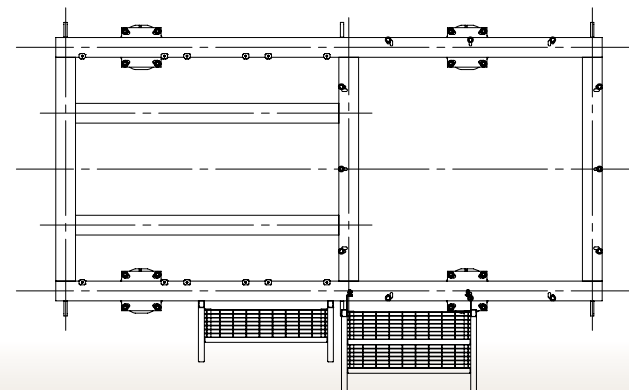
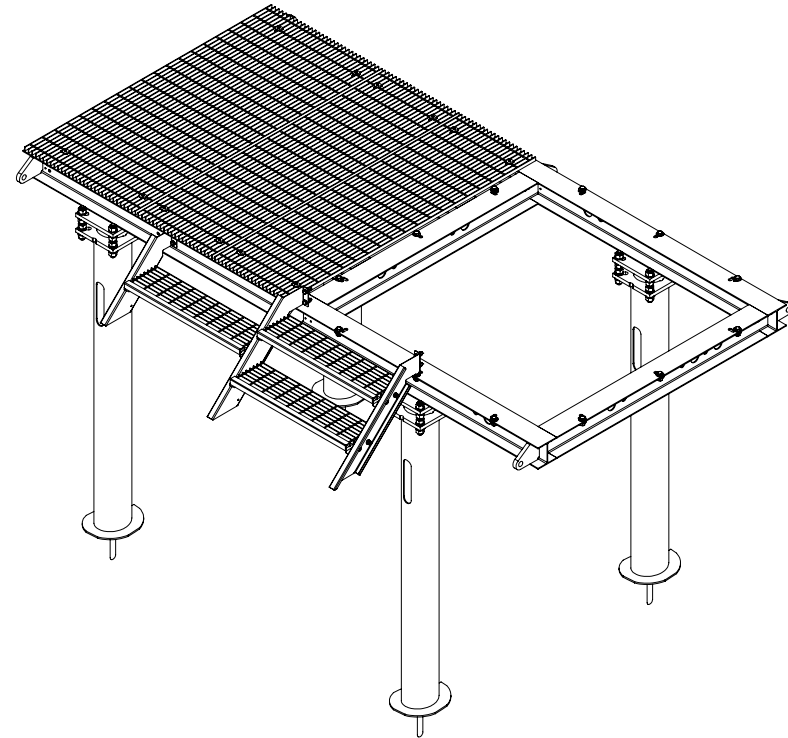
AT&T- CEQ.53663

EMI- [1000-0010-0122](#) ↓

↓ [Click the EMI part number to download drawing.](#)

Description

WIC-genset combo 166"x 80" helical mount platform and genset. Includes 1-step, 2-step entry stair and helical foundations.



166" x 80" WIC/WICG Gravity Mount Skid Platform

Part Number

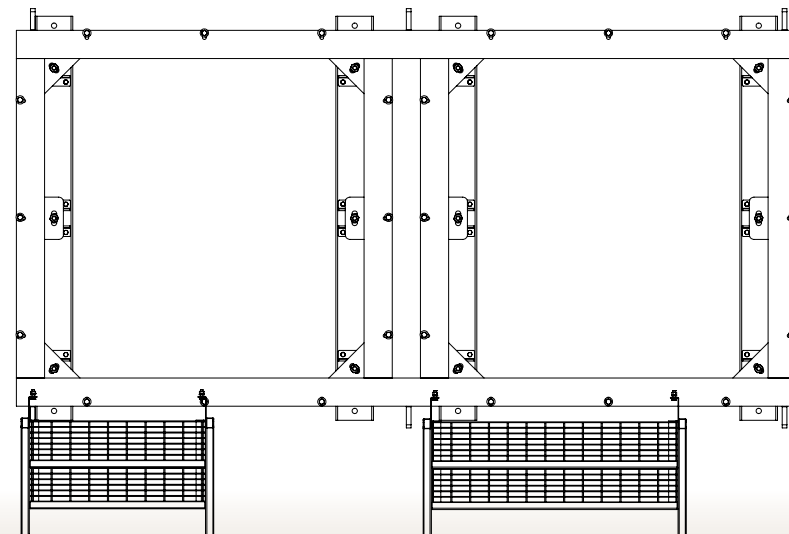
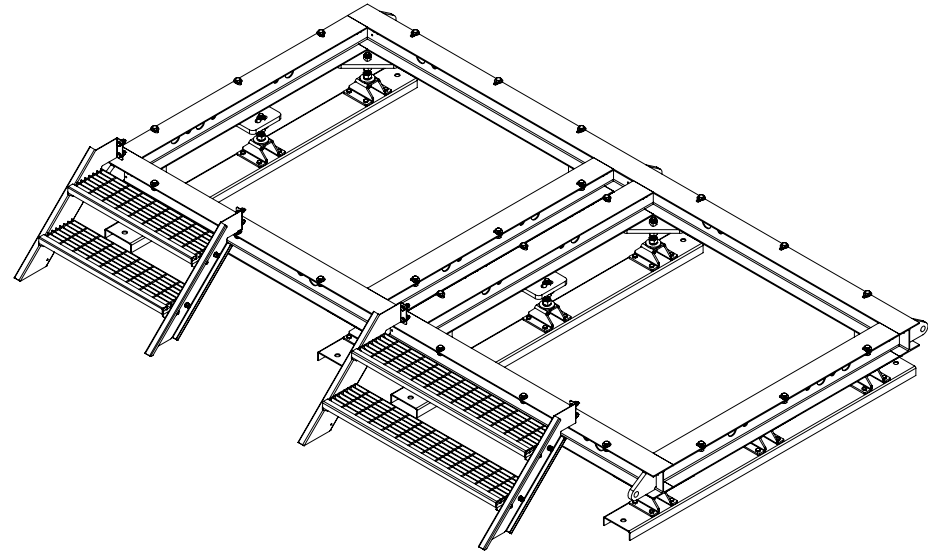
AT&T- CEQ.53662

EMI- [1000-0010-0179](#) ↓

↓ [Click the EMI part number to download drawing.](#)

Description

WIC/WICG combo platform kit for 80"x 80" WIC and 20kW ID genset, includes (2) 2-step entry stairs and gravity mount foundations.



166" x 80" WIC/WICG Helical Mount Grade Platform

Part Number

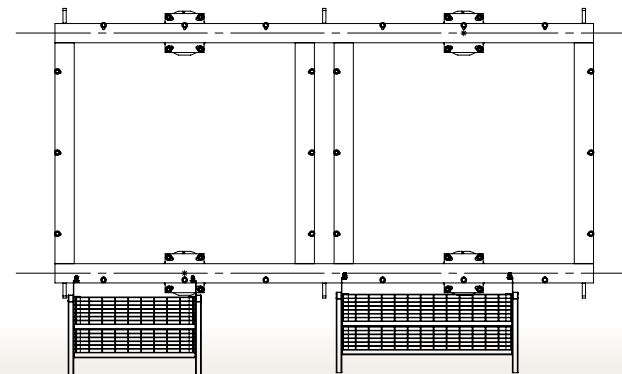
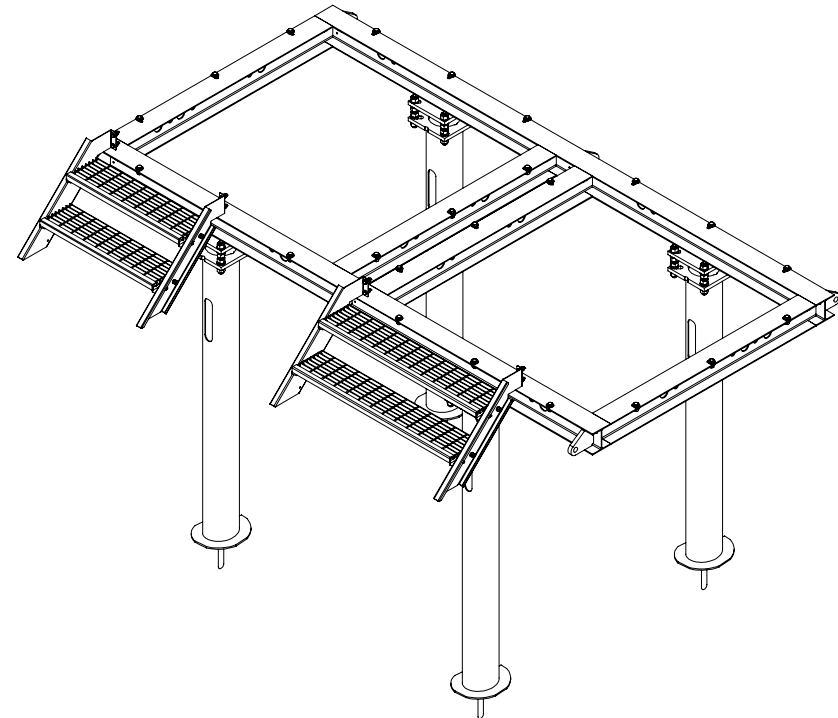
AT&T- CEQ.53684

EMI- [1000-0010-0171](#) ↓

↓ [Click the EMI part number to download drawing.](#)

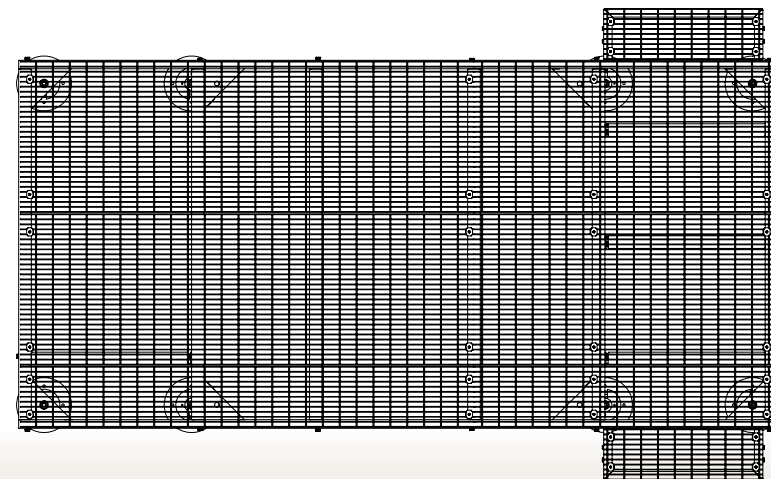
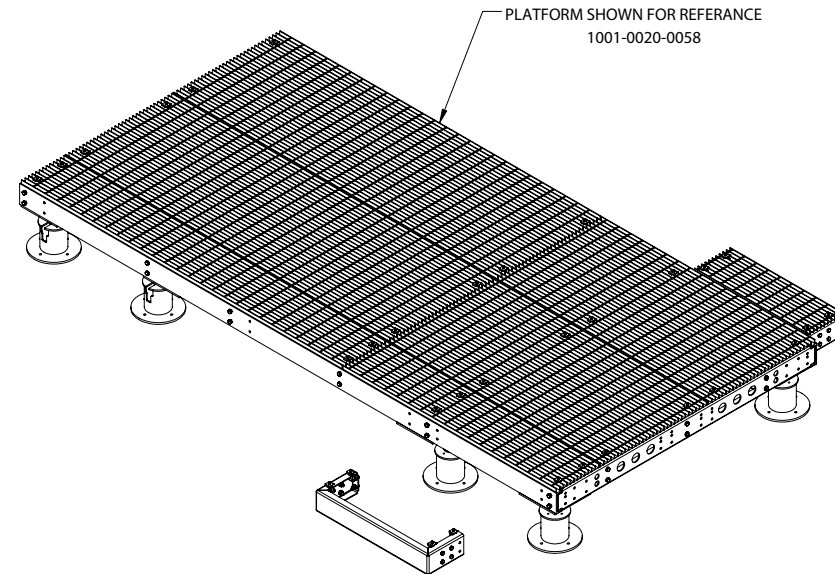
Description

WIC/WICG combo platform kit for 80"x 80" WIC and 20kW ID genset, includes (2) 2-step entry stairs and helical foundations.



Platform Extension "Wing" Kit

Part Number	
AT&T- CEQ.53681	EMI- 1000-0020-0032 ↓
↓ Click the EMI part number to download drawing.	
Description	
OD cabinet platform 30kW generator extension with two 12" extension wings set.	
For Use On The Following Platforms	
EMI- 1000-0010-0122	↓
EMI- 1000-0010-0123	↓
EMI- 1000-0010-0102	↓
EMI- 1000-0010-0128	↓
EMI- 1000-0010-0131	↓

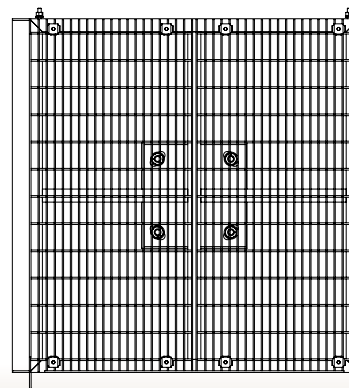
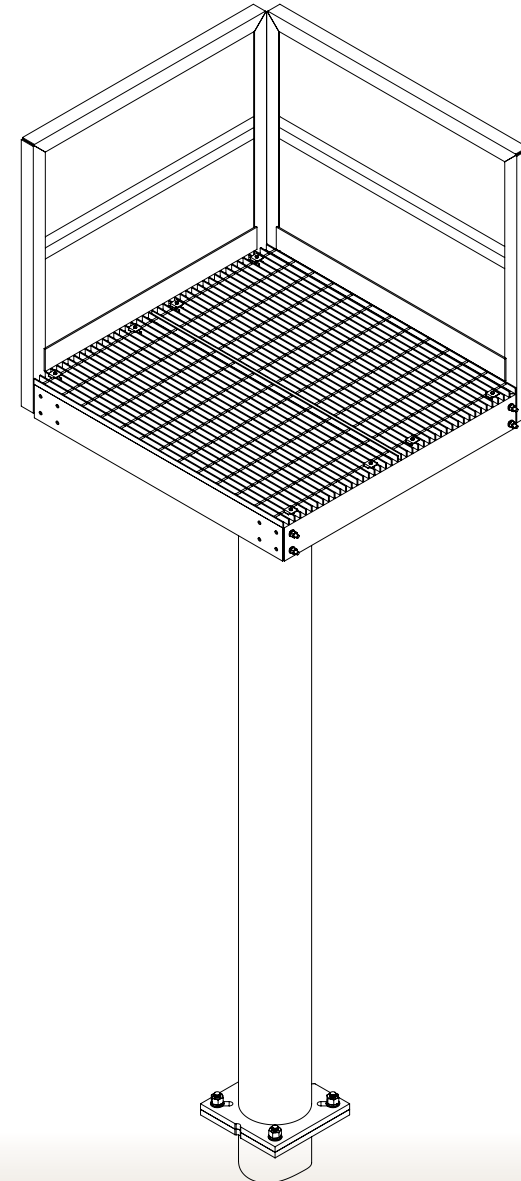


WIC/Combo 90° Stair Landing Kits

Part Number	Elevation
AT&T- CEQ.53653 EMI- 1000-0010-0161-04 ↓	4 ft
AT&T- CEQ.53685 EMI- 1000-0010-0161-06 ↓	6 ft
AT&T- CEQ.53683 EMI- 1000-0010-0161-08 ↓	8 ft
AT&T- CEQ.53651 EMI- 1000-0010-0161-10 ↓	10 ft
AT&T- CEQ.***** EMI- 1000-0010-0161-12 ↓	12 ft

↓ Click the EMI part number to download drawing.

Description
4' to 12' elevation stair kit for WIC combo platform, to add a 90 degree stair entry.



102" x 75" WUC Gravity/Pad Mount Platform

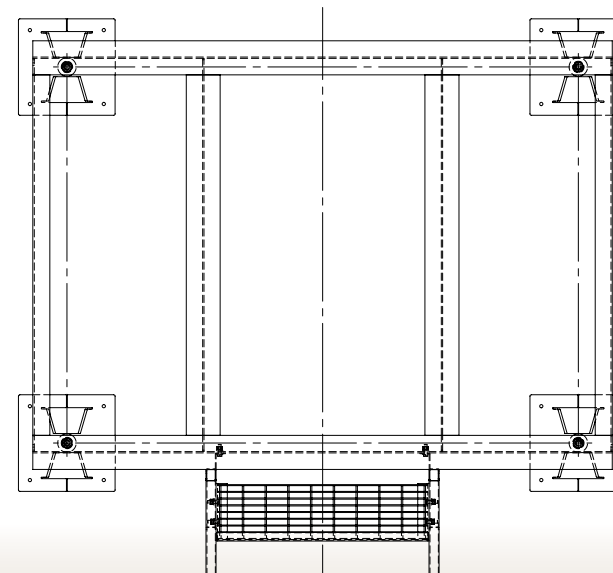
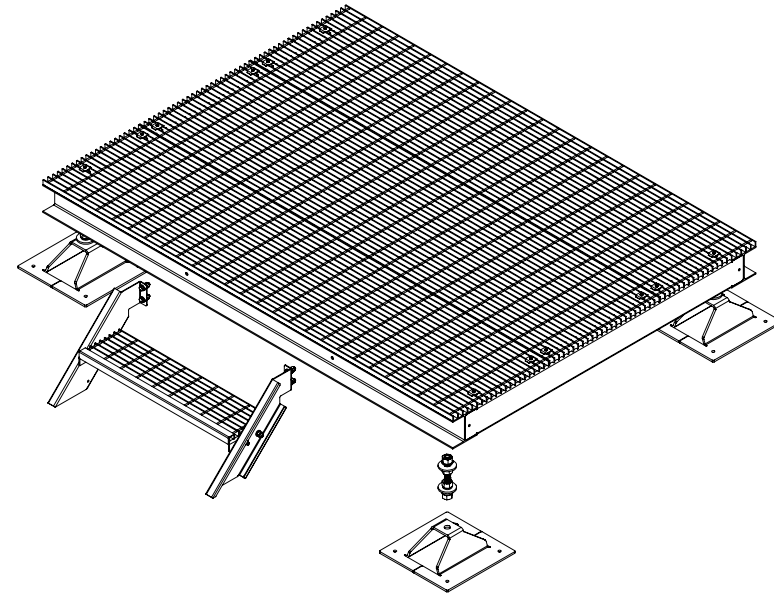
WUC is an aluminum construction cabinet arranged for third-party AC load center, DC power system, batteries, and load equipment. 3-bay cabinet trays, 18kW equipment space, 14RU power system space, 3 battery trays, 18kW capacity door mounted thermosiphon HEX cooling, rear access hatches, 6kW capacity DC heaters.

Part Number

AT&T- CEQ.43621 EMI- [1000-0010-0238](#) ↓
↓ [Click the EMI part number to download drawing.](#)

Description

WUC gravity/pad mount platform 102" x 75" with leveling hardware.



102" x 75" WUC Gravity/Pad Mount Platform

Part Number

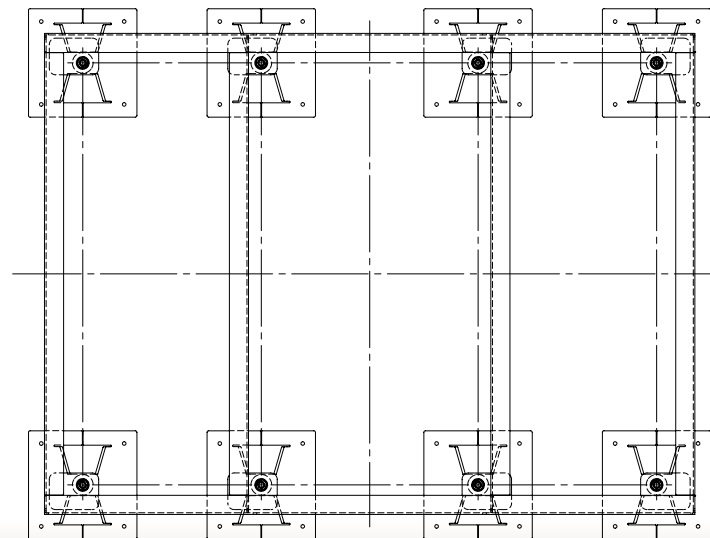
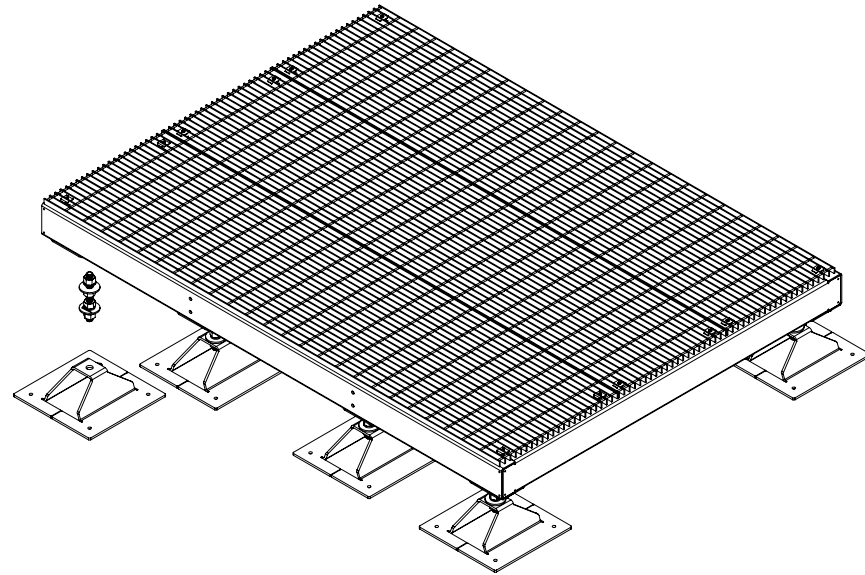
AT&T- CEQ.54437

EMI- [1000-0010-0118](#) ↓

↓ [Click the EMI part number to download drawing.](#)

Description

WUC gravity mount platform assembly 102" x 75" with steel grating and leveling feet.



180" x 87 1/4" WUC/Combo Platform with Canopy

Part Number	Elevation
AT&T- CEQ.53654 EMI- 1000-0010-0102-FC ↓	Ground
AT&T- CEQ.53679 EMI- 1000-0010-0102-SC ↓	Ground
AT&T- CEQ.56505 EMI- 1000-0010-0102-04-FC ↓	4 ft
AT&T- CEQ.56504 EMI- 1000-0010-0102-04-FC ↓	4 ft

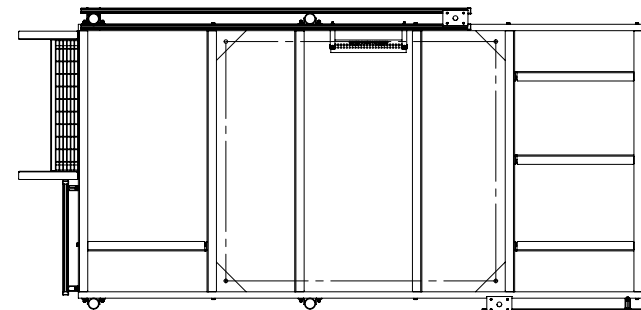
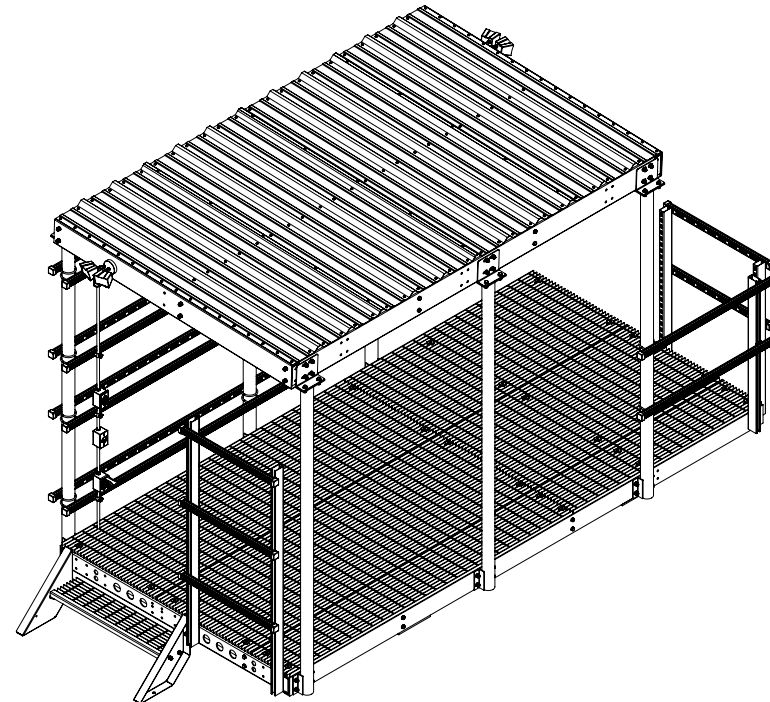
↓ Click the EMI part number to download drawing.

Description

OD cabinet equipment platform w/canopy 180" x 87 1/4". Includes stair kit, lighting, and unistruts.

Special Notes

FC - Factory Configured - pre-assembled unit
 SC - Site Configured - on-site assembly
 4 ft elevated unit uses ladder for compact footprint



CANOPY & GRATING
HIDDEN FOR CLARITY

180" x 87 1/4" WUC/Combo Platform without Canopy

Part Number

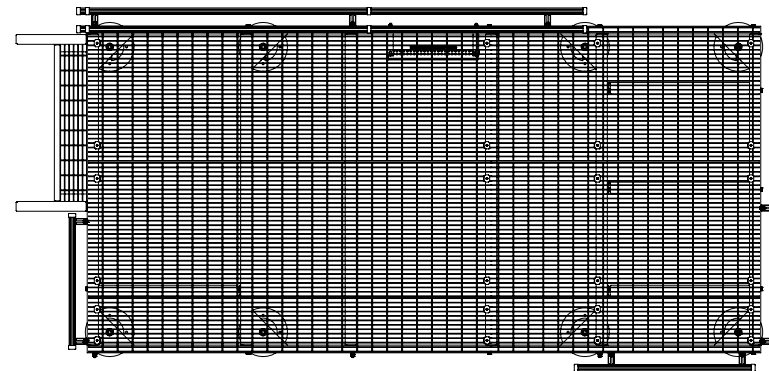
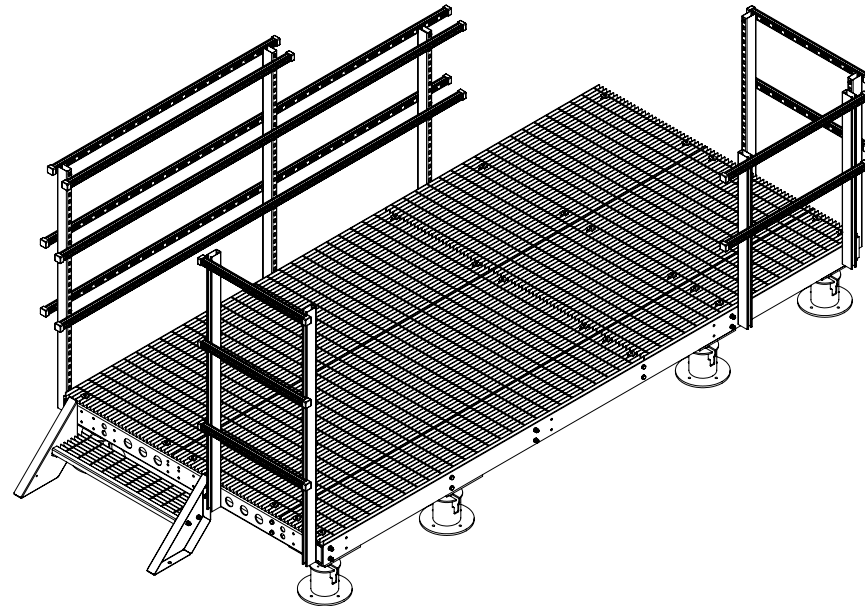
AT&T- CEQ.53675

EMI- [1000-0010-0128-FC](#) ↓

↓ [Click the EMI part number to download drawing.](#)

Description

OD cabinet gravity platform without canopy 180" x 87 1/4". Includes 1-step entry stair, gravity mount feet and unistrut kit, factory assembled.



180" x 87 1/4" WUC/Combo Platform with Mesh Canopy

Part Number

[AT&T- CEQ.53661](#) [EMI- 1000-0010-0131-FC](#) ↓

[AT&T- CEQ.53673](#) [EMI- 1000-0010-0131-SC](#) ↓

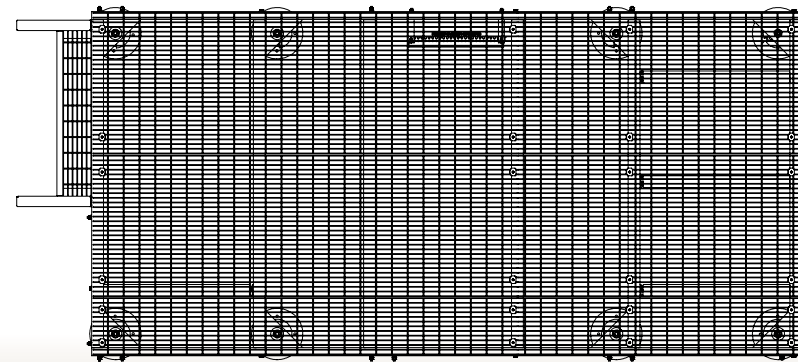
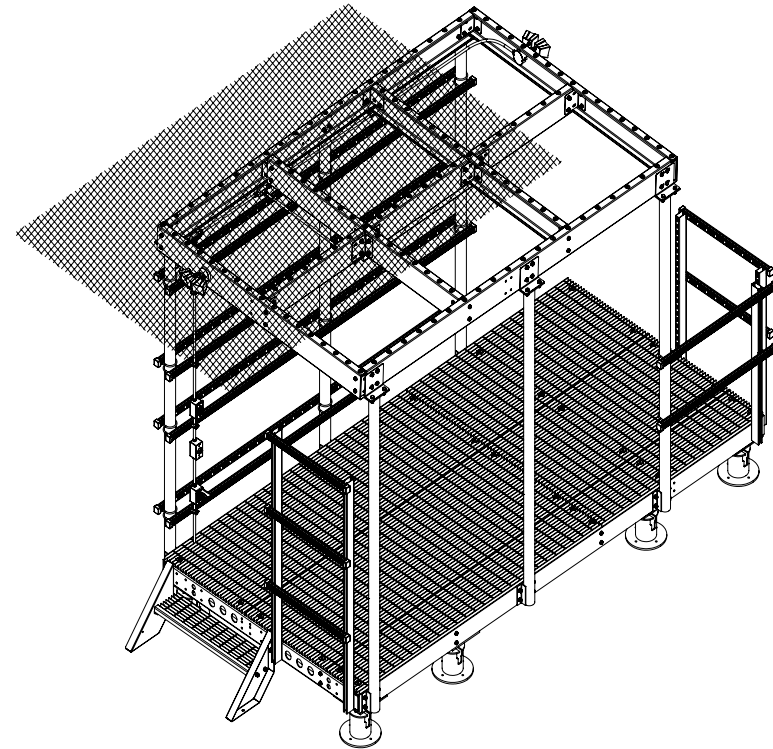
↓ [Click the EMI part number to download drawing.](#)

Description

OD cabinet gravity platform 180" x 87 1/4" with expanded metal canopy (not solid). Includes 1-step entry stair, gravity mount feet and unistrut kit.

Special Notes

FC - Factory Configured - pre-assembled unit
 SC - Site Configured - on-site assembly



9' x 4' Pad Mount Generator Platform

This 9' x 4' platform is designed for all ATT approved generators up to the Generac 30kW diesel. The generator should be installed in the center of the platform or in any orientation the will fit. Grounding locations are on all four sides to support any site layout. Platform includes a rodent guard for all generators that need it.

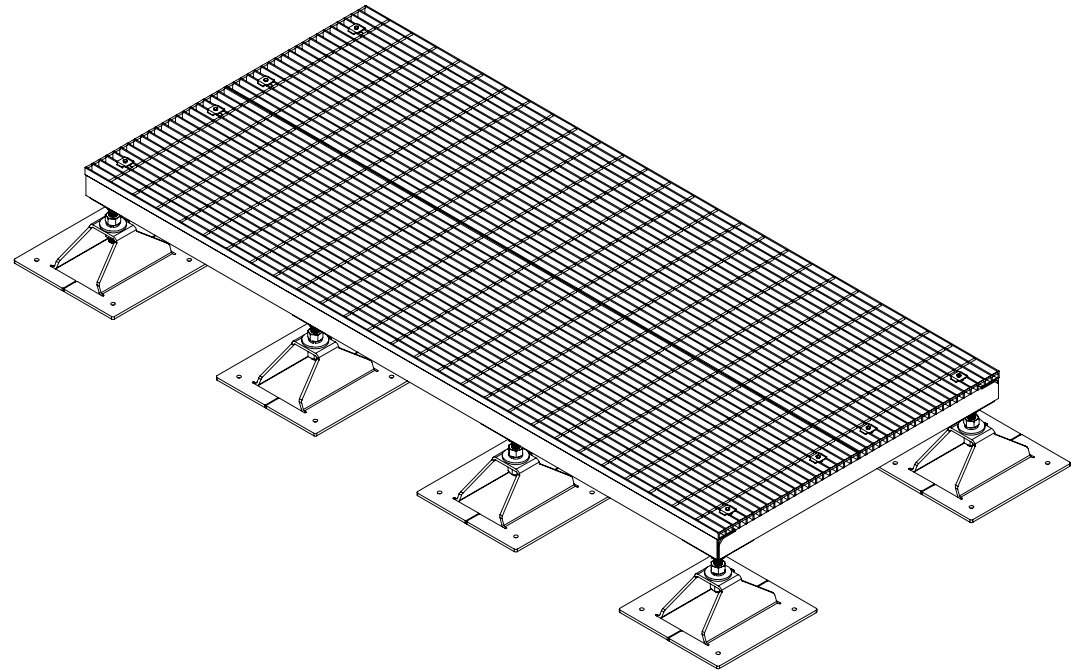
Part Number

AT&T- CEQ.53672 EMI- [1001-0020-0062](#) ↓

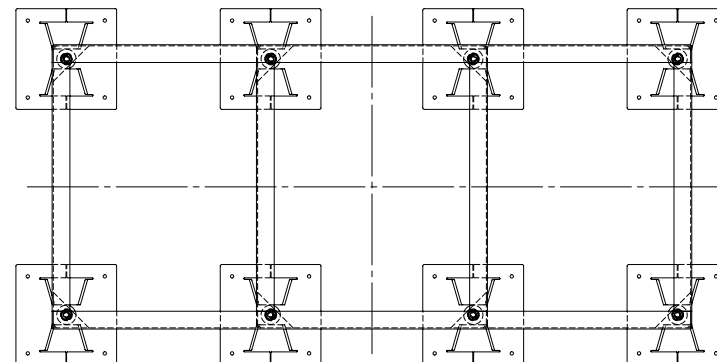
↓ [Click the EMI part number to download drawing.](#)

Description

Gravity mount generator platform with adjustable feet.



SHOWN WITHOUT GRATING



53" x 35" Vertical Polar Generator Helical Mount Plinth

This two helical generator platform utilizes the same helices used on the WIC. Grounding locations are on four sides to accommodate any site layout. It is specifically designed for the vertical Polar generator.

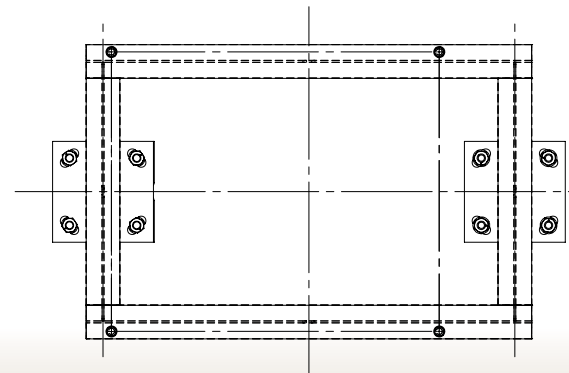
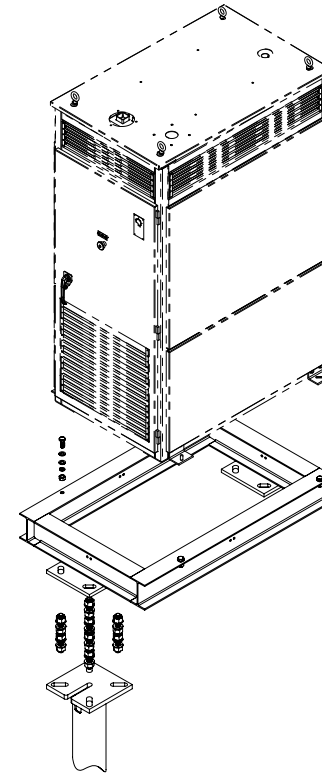
Part Number

AT&T- CEQ.53652 [EMI- 1000-0010-0075](#) ↓

↓ [Click the EMI part number to download drawing.](#)

Description

Vertical Polar generator plinth 53" x 35" kit with 6" dia. x 7' high helical foundations and leveling hardware.



72" x 53" Helical Mount Generator Platform

One of these platforms will accommodate all generators up to 20kW. Grounding locations are on all sides to support any site layout. Platform includes a rodent guard for generators that need it.

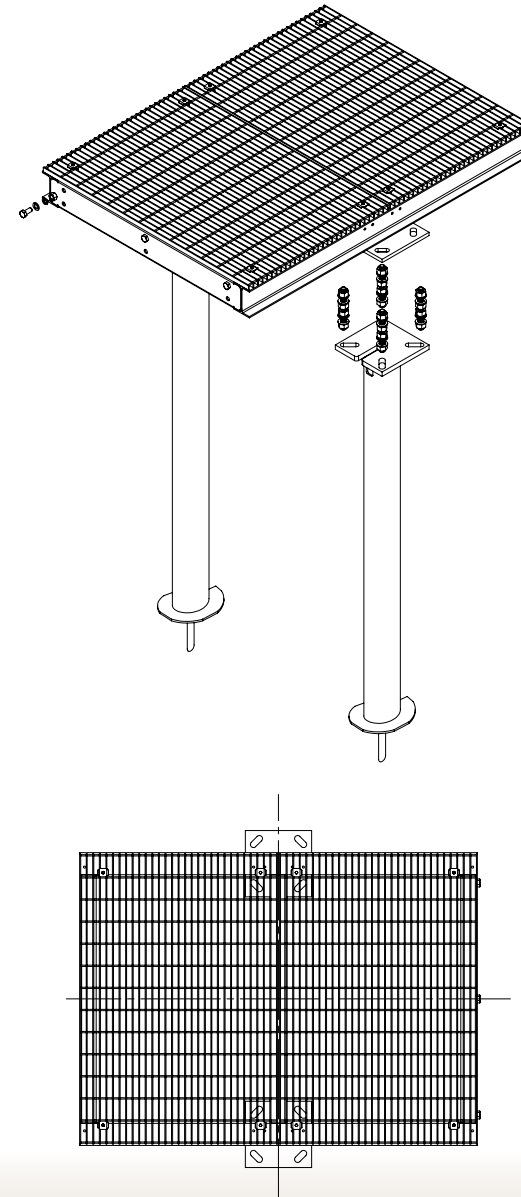
Part Number

AT&T- CEQ.53665 EMI- [1000-0010-0109](#) ↓

↓ [Click the EMI part number to download drawing.](#)

Description

Generator platform kit 72" x 53" with 6" dia. x 7' high helical foundations and leveling hardware.



144" x 53" Helical Mount Generator Platform

Two of these platforms bolted together will accommodate generators up to 30kW. Grounding locations are on three sides to support any site layout. Platform includes rodent guard for generators that need it. All hardware provided.

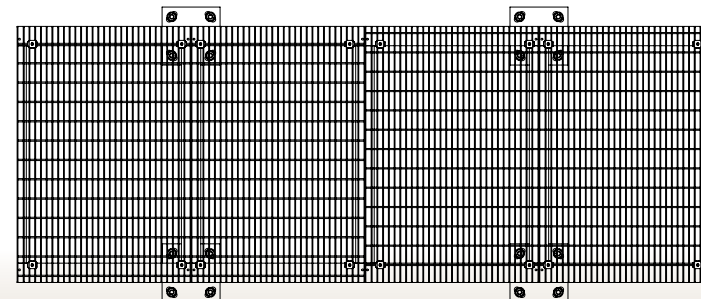
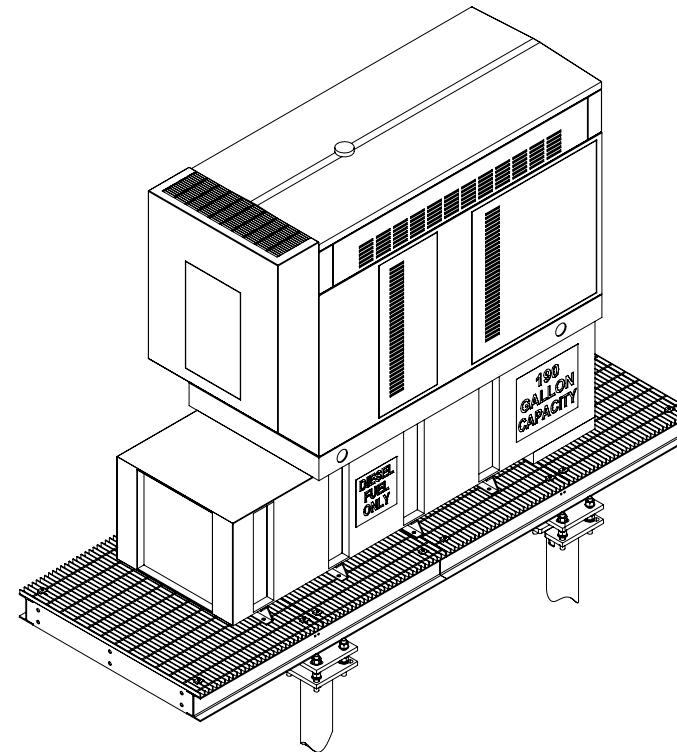
Part Number

AT&T- CEQ.53665 X2 EMI- [1000-0010-0109](#) X2 ↓

↓ [Click the EMI part number to download drawing.](#)

Description

Generator platform kit 144" x 53" with 6" dia. x 7' high helical foundations and leveling hardware.



53" x 36" Vertical Generator Pad Mount Plinth

Part Number

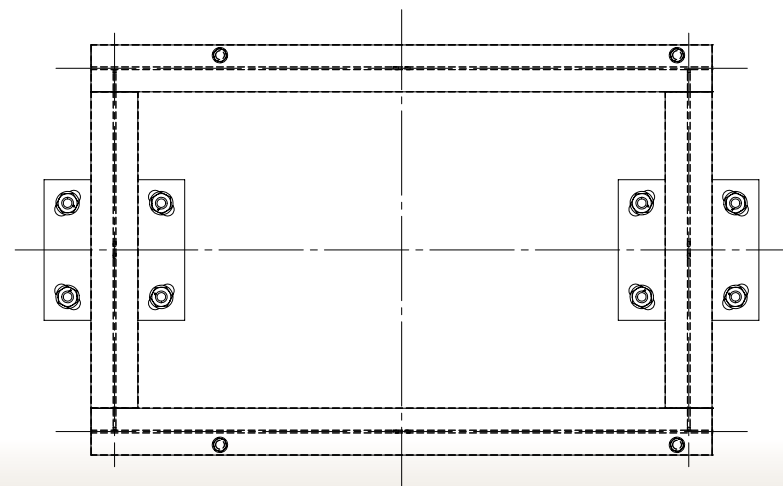
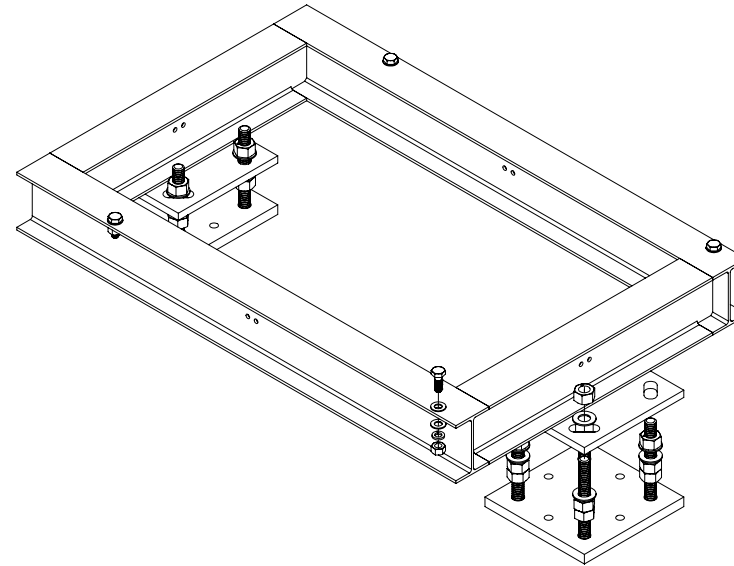
AT&T- CEQ.53678

EMI- [1000-0000-0115](#) ↓

↓ [Click the EMI part number to download drawing.](#)

Description

Vertical generator plinth for concrete mount 53" x 36" with anchor base plates and leveling hardware.



228" x 43 3/8" Generator Plinth Kit

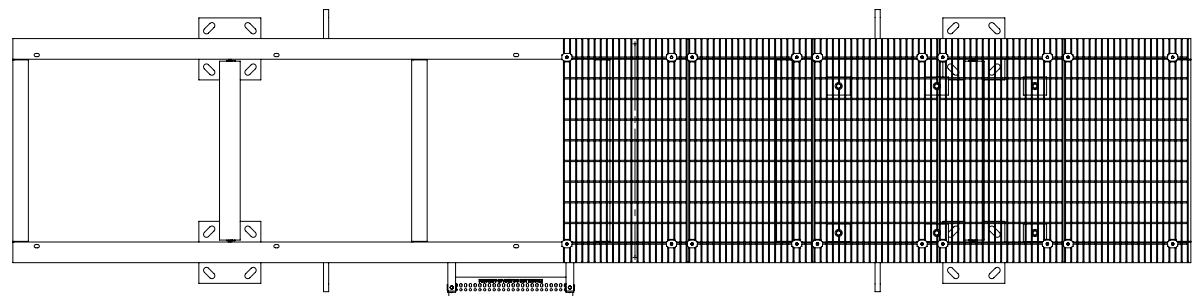
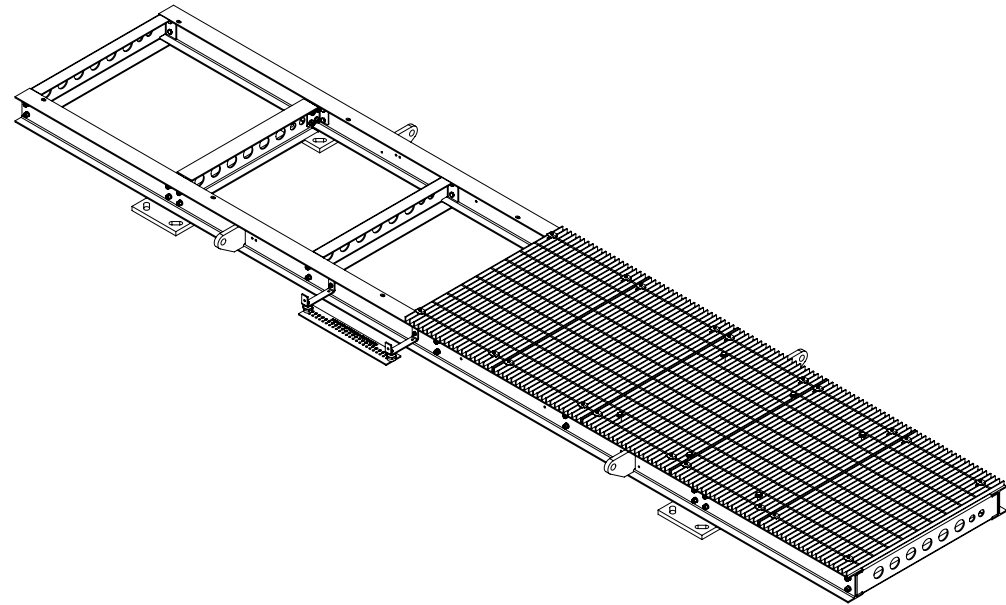
Part Number

AT&T- NEQ.20738 EMI- W-000-954 ↓

↓ [Click the EMI part number to download drawing.](#)

Description

Generator rail plinth kit 228" x 43 3/8" platform. Includes genset clamp kit, grating and ground bar kit.



6" Diameter x 7' Quad Mount Helical Foundation Kit

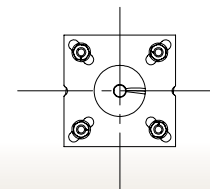
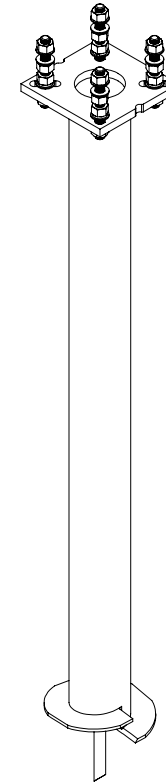
Part Number

AT&T- CEQ.54367 EMI- [1000-0020-0034](#) ↓

↓ [Click the EMI part number to download drawing.](#)

Description

6" dia. x 7' high helical foundation (4 unit kit) with quad mount leveling hardware.



10" Diameter 10' Single Stud Helical Foundation Kit

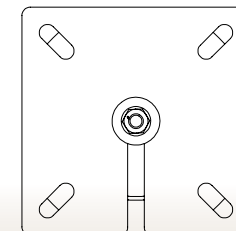
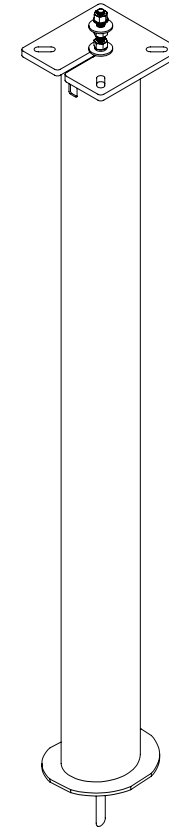
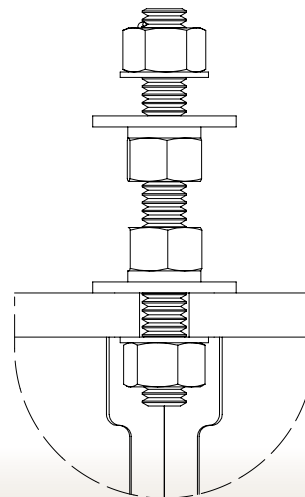
Part Number

AT&T- CEQ.53658 EMI- [1008-0050-0011](#) ↓

↓ [Click the EMI part number to download drawing.](#)

Description

10" dia. x 10' high helical foundation (4 unit kit), single stud leveling.



6" Diameter Pad Mount Extension Single Stud Mount [4 Pk]

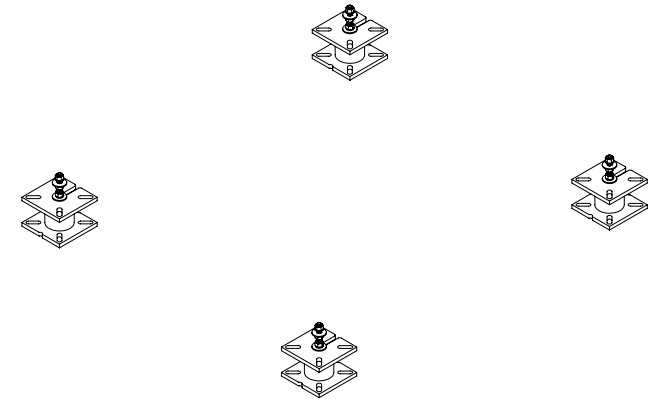
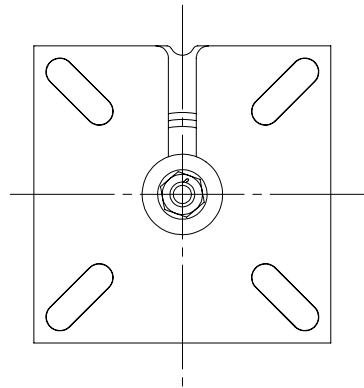
Part Number

AT&T- CEQ.53682 EMI- 1008-0030-0005 ↓

↓ Click the EMI part number to download drawing.

Description

6" dia. x 8" high concrete pad mount extension (4 unit kit), with single stud mount leveling hardware.



6" Diameter Pad Mount Extension Quad Mount

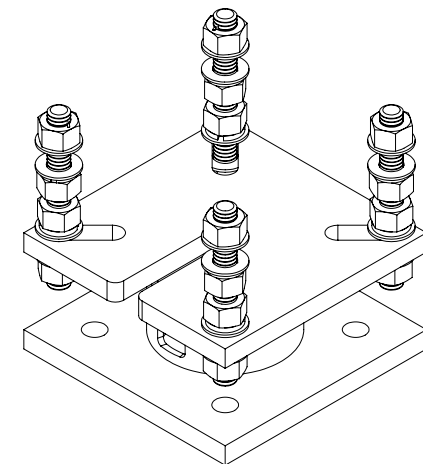
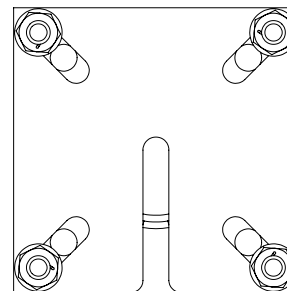
Part Number

AT&T- CEQ.***** EMI- 1000-0030-0047 ↓

↓ Click the EMI part number to download drawing.

Description

6" dia. x 6" high concrete pad mount extension with quad mount leveling hardware.



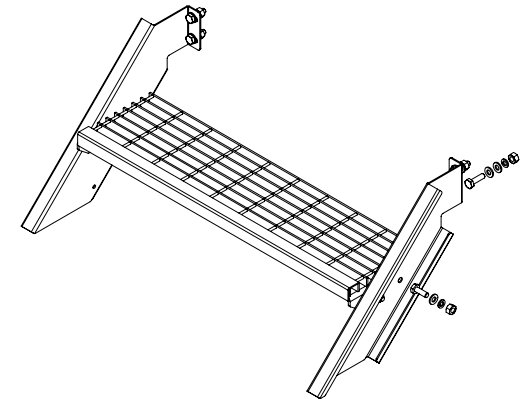
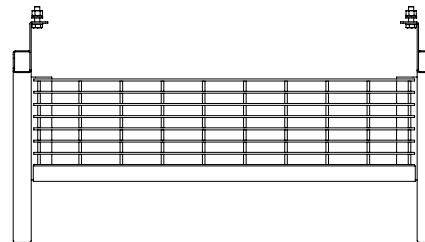
Single Step Stair Kit

Part Number

AT&T- CEQ.51664 EMI- [1003-0000-0020](#) ↓
 ↓ [Click the EMI part number to download drawing.](#)

Description

WUC single step stair kit 45 degree including hardware.



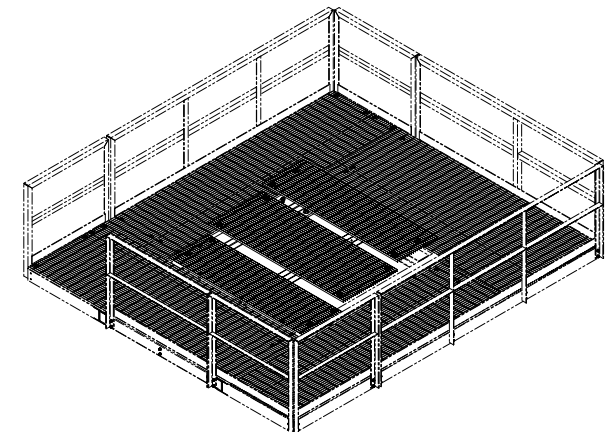
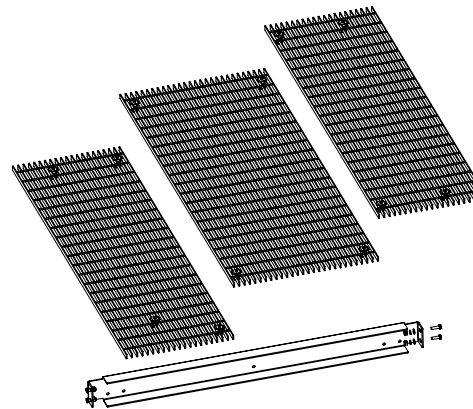
WIC & Genset Platform Fully Grated Conversion Kit

Part Number

AT&T- CEQ.53677 EMI- [1000-0010-0160](#) ↓
 ↓ [Click the EMI part number to download drawing.](#)

Description

Conversion kit to modify 80" x 80" genset platform to fully grated for WUC or cabinet installation.



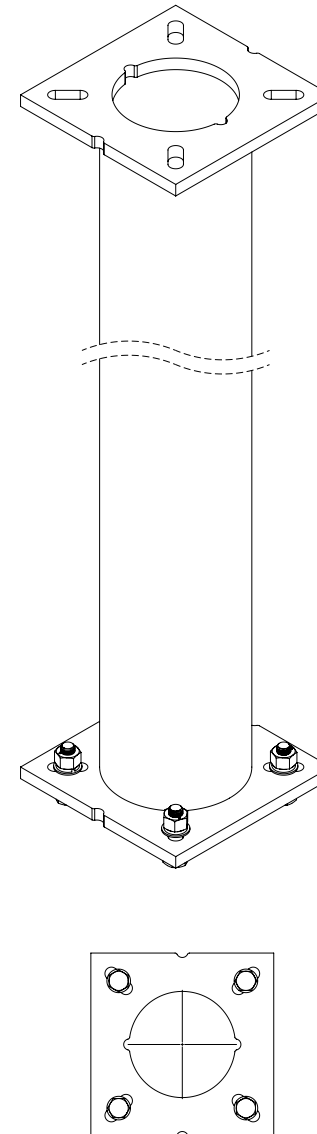
10" Diameter Foundation Extensions

Part Number	Elevation
AT&T- CEQ.57167 EMI- 1007-T010-0600 ↓	5 ft
AT&T- CEQ.57164 EMI- 1007-T010-1200 ↓	10 ft

↓ Click the EMI part number to download drawing.

Description
5 & 10 ft. extensions for outdoor elevated WIC-WUC

Special Notes
The linked table drawing 1007-T010-0000 contains all extension part numbers by elevation.



Canopy for WIC-WUC Outdoor Platform - 0146

Part Number

AT&T- CEQ.57485

EMI- [1001-0030-0036](#) ↓

↓ [Click the EMI part number to download drawing.](#)

Description

184" x 117" bolt together canopy for WIC and WUC outdoor platform series 1000-0010-0146.

