



# AT&T WIC Ordering Guide



**1-800-453-0050**

[www.emiproducts.com](http://www.emiproducts.com)

11230 Neeshaw Drive, Houston, Texas 77065

## AT&T WIC [WALK IN CABINET]

**AT&T Standards determine the selection of foundation type.**

1. Helical - 92% locations nationwide (standard option).
2. Concrete Pier/Gravity Mount - Rocky terrain/mountain top locations (where helical is not an option due to ground conditions).
3. Concrete Pad - Existing pad (no new pouring). Space available on the existing pad due to decommission of legacy enclosures, relocation.



## 80" x 80" WIC Gravity/Pad Mount

### Part Number

**AT&T-** CEQ.53686      **EMI-** [1000-0000-0103](#) ↓  
↓ [Click the EMI part number to download drawing.](#)

### Description

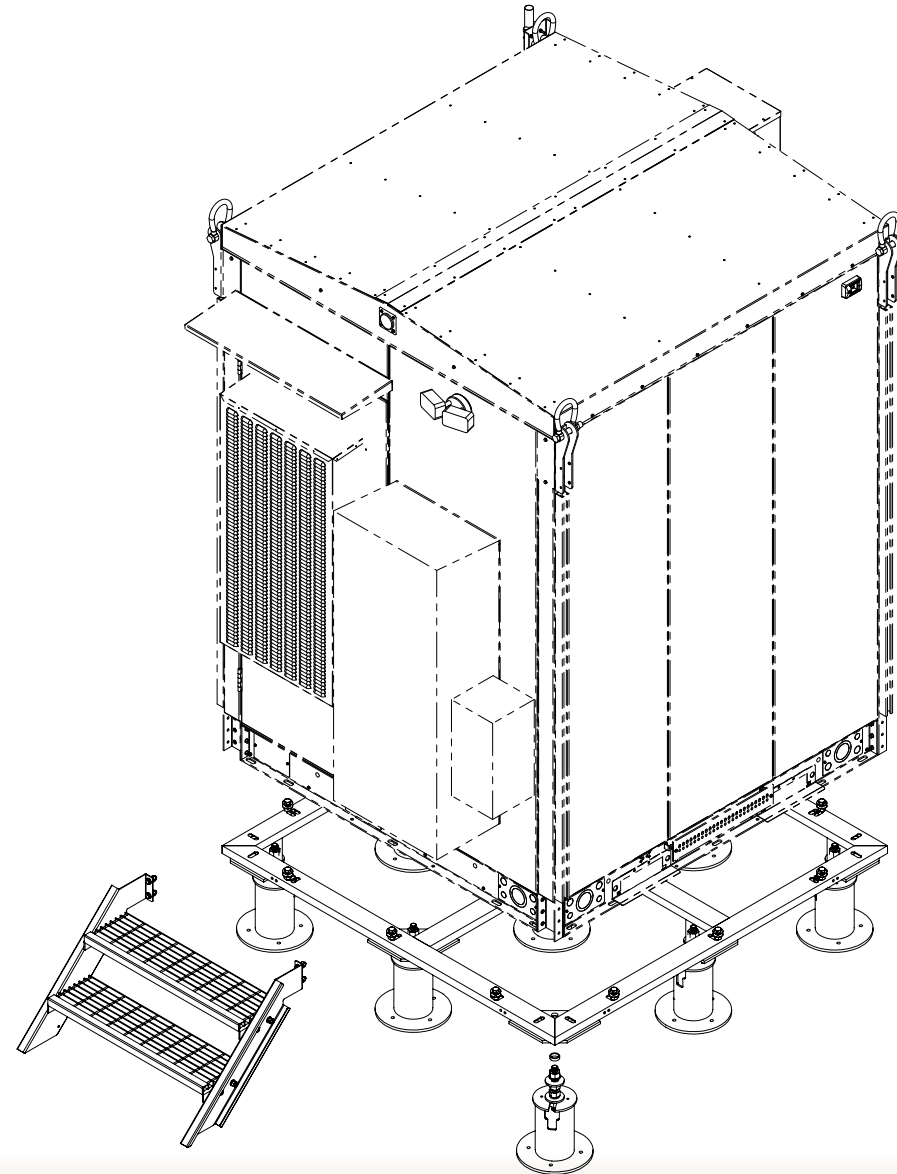
80" x 80" WIC gravity/pad mount platform kit, 2-step stair with leveling hardware.

### Part Number

**AT&T-** CEQ.46388      **EMI-** [1000-0000-0162](#) ↓  
↓ [Click the EMI part number to download drawing.](#)

### Description

10' x 10' WIC gravity/pad mount platform kit, 2-step stair with leveling hardware.



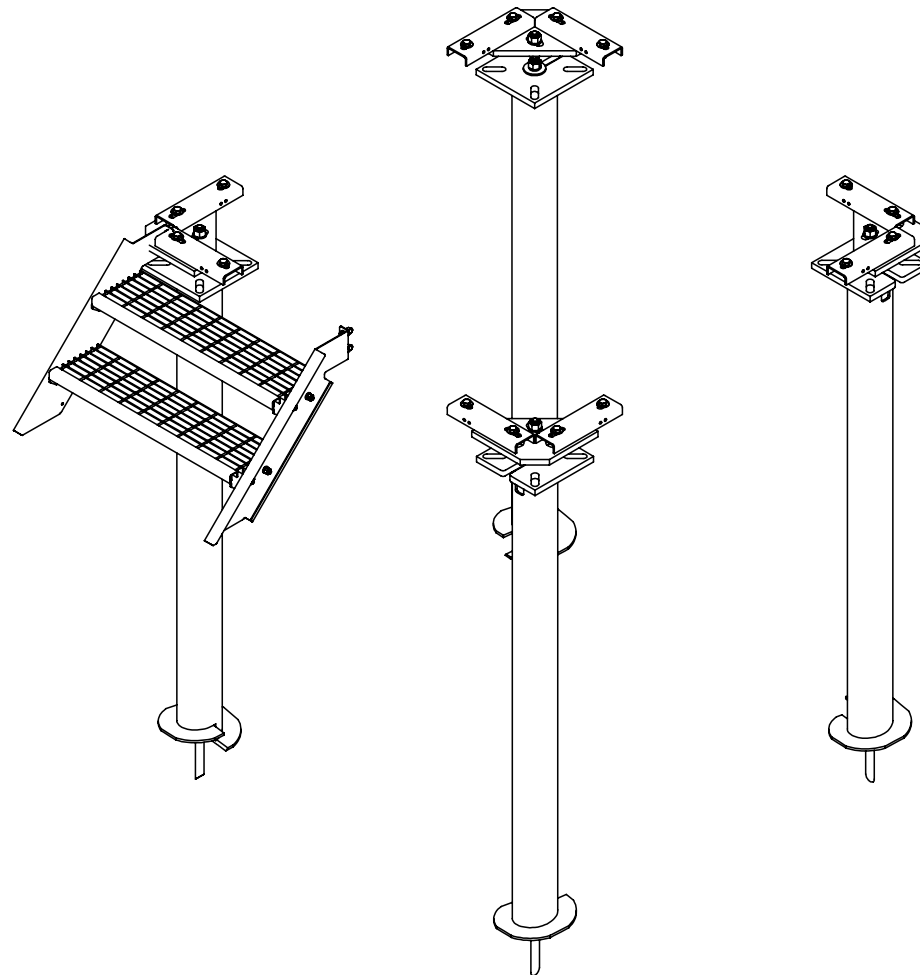
## WIC Helical Mount

### Part Number

AT&T- CEQ.53680      EMI- [1000-0000-0101](#) ↓  
↓ [Click the EMI part number to download drawing.](#)

### Description

WIC corner mount helical kit, 2-step stair with leveling hardware.



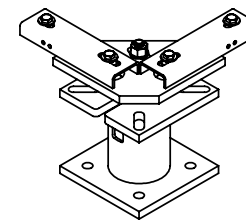
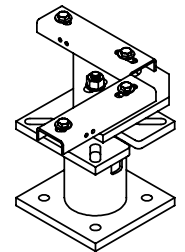
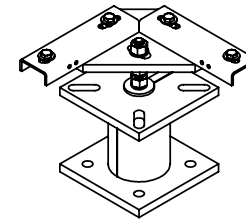
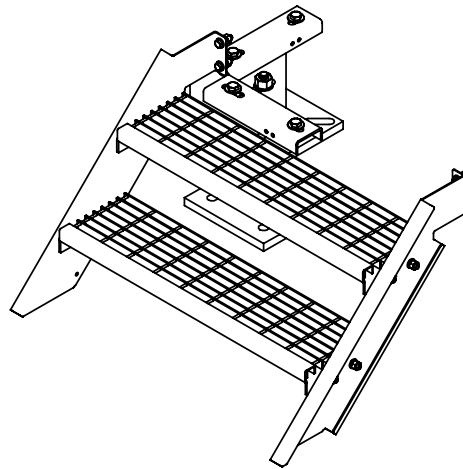
## WIC Concrete Mount

### Part Number

AT&T- CEQ.53655      EMI- [1007-0000-0012](#) ↓  
↓ [Click the EMI part number to download drawing.](#)

### Description

WIC pad mount corner kit, 17" mounting feet, 2-step stair with leveling hardware.





## 230" x 145" WIC/Combo Elevated Platform Extended

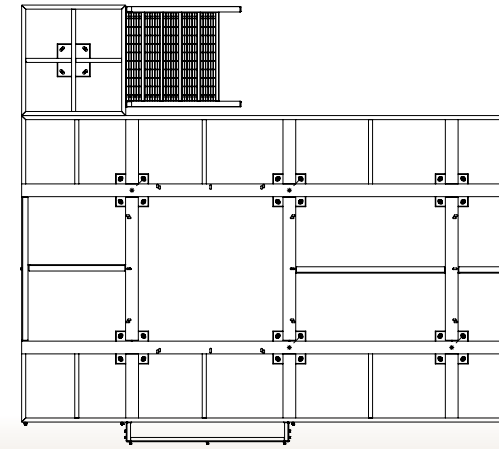
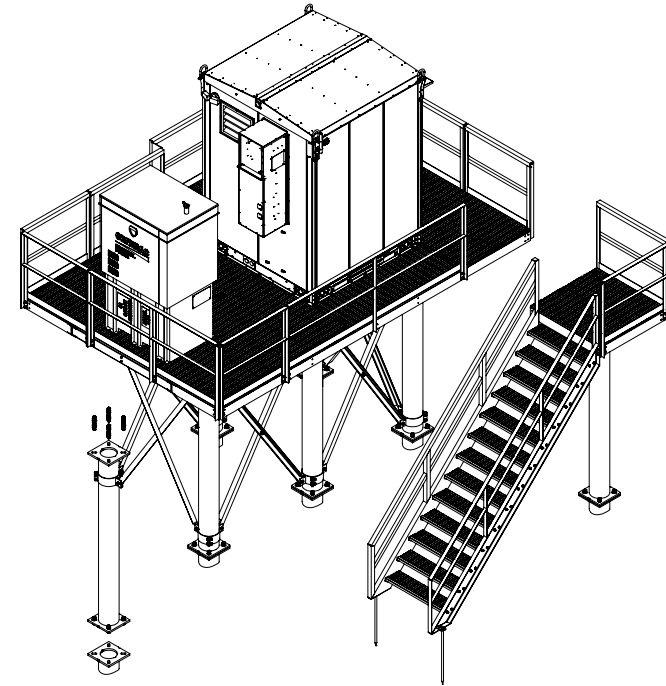
Part Number	Elevation
<a href="#">AT&amp;T- CEQ.53671</a> <a href="#">EMI- 1000-0010-0146-04</a> ↓	4 ft
<a href="#">AT&amp;T- CEQ.53666</a> <a href="#">EMI- 1000-0010-0146-06</a> ↓	6 ft
<a href="#">AT&amp;T- CEQ.53656</a> <a href="#">EMI- 1000-0010-0146-08</a> ↓	8 ft
<a href="#">AT&amp;T- CEQ.53659</a> <a href="#">EMI- 1000-0010-0146-10</a> ↓	10 ft
<a href="#">AT&amp;T- CEQ.53664</a> <a href="#">EMI- 1000-0010-0146-12</a> ↓	12 ft
<a href="#">AT&amp;T- CEQ.57514</a> <a href="#">EMI- 1000-0010-0146-14</a> ↓	14 ft
<a href="#">AT&amp;T- CEQ.57484</a> <a href="#">EMI- 1000-0010-0146-16</a> ↓	16 ft
<a href="#">AT&amp;T- CEQ.57168</a> <a href="#">EMI- 1000-0010-0146-18</a> ↓	18 ft
<a href="#">AT&amp;T- CEQ.57166</a> <a href="#">EMI- 1000-0010-0146-20</a> ↓	20 ft

↓ Click the **EMI** part number to download drawing.

**Description**  
 Elevated WIC-genset combo platform kit, 230"x 145" up to 30kW genset on the back. Includes 10" dia. helical foundations and entry stair.

**Special Notes**  
 Helical extensions of 5' & 10' are available for sites with poor soil conditions requiring deeper foundations.

<a href="#">AT&amp;T- CEQ.57203</a> <a href="#">EMI- 1000-0030-0178</a> ↓	5 ft
<a href="#">AT&amp;T- CEQ.57204</a> <a href="#">EMI- 1000-0030-0179</a> ↓	10 ft



NO GRATING OR GUARDRAILS

## 166" x 80" WIC/Combo Gravity Mount Skid Platform

### Part Number

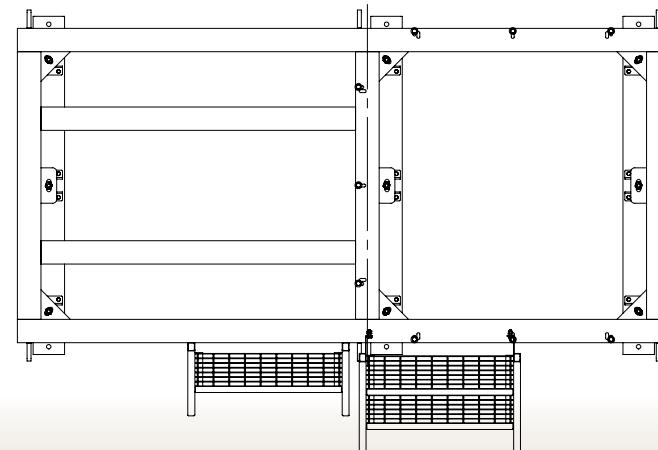
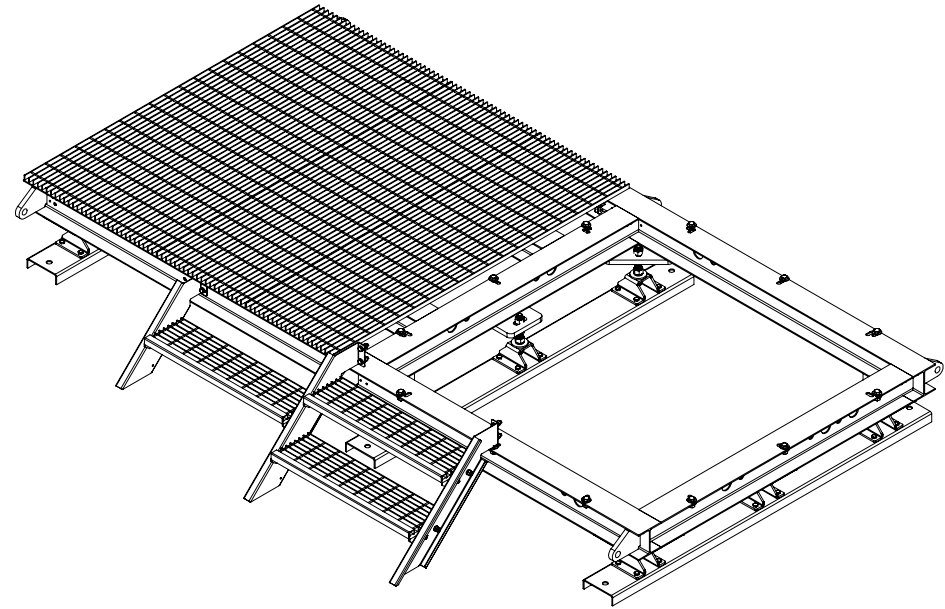
AT&T- CEQ.53657

EMI- [1000-0010-0123](#) ↓

↓ [Click the EMI part number to download drawing.](#)

### Description

WIC-genset combo 166"x 80" gravity mount platform for 80"x80" WIC and genset. Includes 2-step, 3-step stair and gravity mount foundations



## 166" x 80" WIC/Combo Helical Mount Grade Platform

### Part Number

AT&T- CEQ.53663

EMI- [1000-0010-0122](#) ↓

↓ [Click the EMI part number to download drawing.](#)

### Description

WIC-genset combo 166"x 80" helical mount platform and genset. Includes 1-step, 2-step entry stair and helical foundations.

