



AT&T WUC Ordering Guide



1-800-453-0050

www.emiprducts.com

11230 Neeshaw Drive, Houston, Texas 77065

180" x 87 1/4" WUC/Combo Platform with Mesh Canopy & Optional Wing Kit for 30kW Genset

Part Number

AT&T- CEQ.53661 **EMI-** [1000-0010-0131-FC](#) ↓

AT&T- CEQ.53673 **EMI-** [1000-0010-0131-SC](#) ↓

↓ [Click the EMI part number to download drawing.](#)

Description

OD cabinet gravity platform 180" x 87 1/4" with expanded metal canopy (not solid). Includes 1-step entry stair, gravity mount feet and unistrut kit.

Special Notes

FC - Factory Configured - pre-assembled unit
 SC - Site Configured - on-site assembly

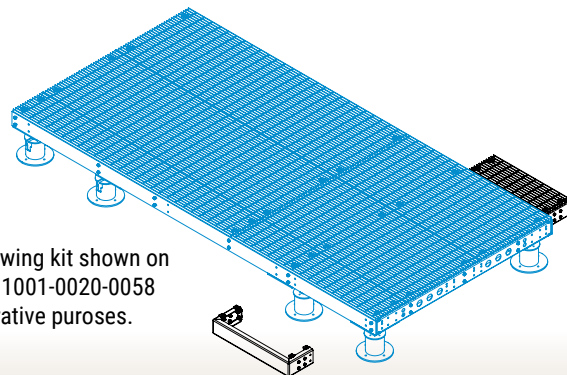
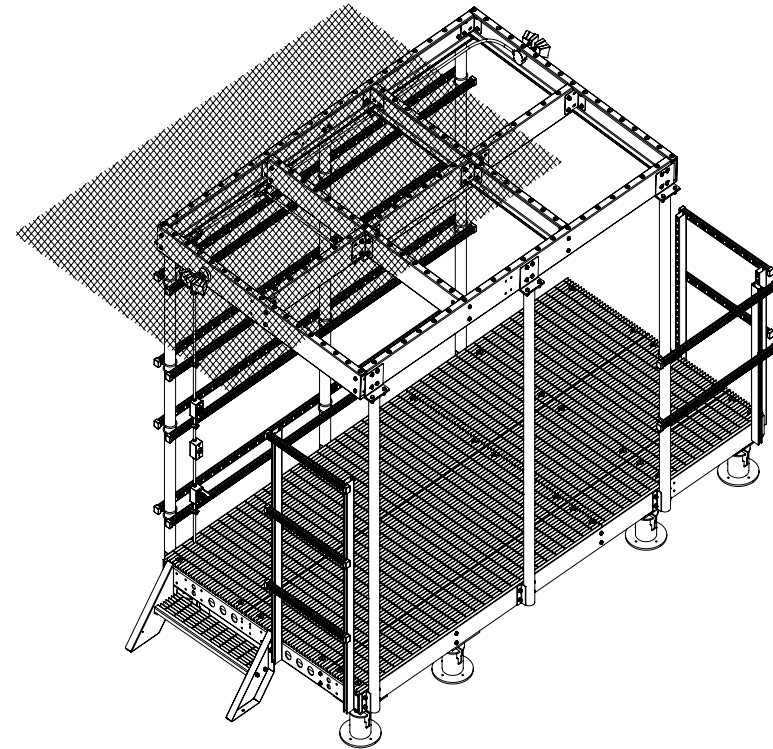
Part Number

AT&T- CEQ.53681 **EMI-** [1000-0020-0032](#) ↓

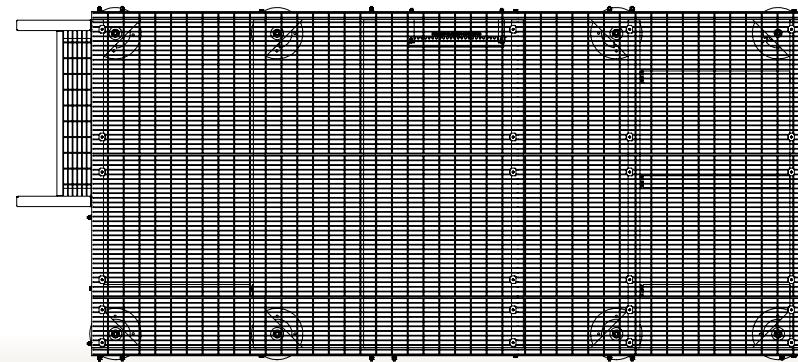
↓ [Click the EMI part number to download drawing.](#)

Description

OD cabinet platform 30kW generator extension with two 12" extension wings set.



Optional wing kit shown on platform 1001-0020-0058 for illustrative purposes.



180" x 87 1/4" WUC/Combo Platform with Canopy & Optional Wing Kit for 30kW Genset

Part Number	Elevation
AT&T- CEQ.53654 EMI- 1000-0010-0102-FC ↓	Ground
AT&T- CEQ.53679 EMI- 1000-0010-0102-SC ↓	Ground
AT&T- CEQ.56505 EMI- 1000-0010-0102-04-FC ↓	4 ft
AT&T- CEQ.56504 EMI- 1000-0010-0102-04-FC ↓	4 ft

↓ Click the EMI part number to download drawing.

Description

OD cabinet equipment platform w/canopy 180" x 87 1/4". Includes stair kit, lighting, and unistruts.

Special Notes

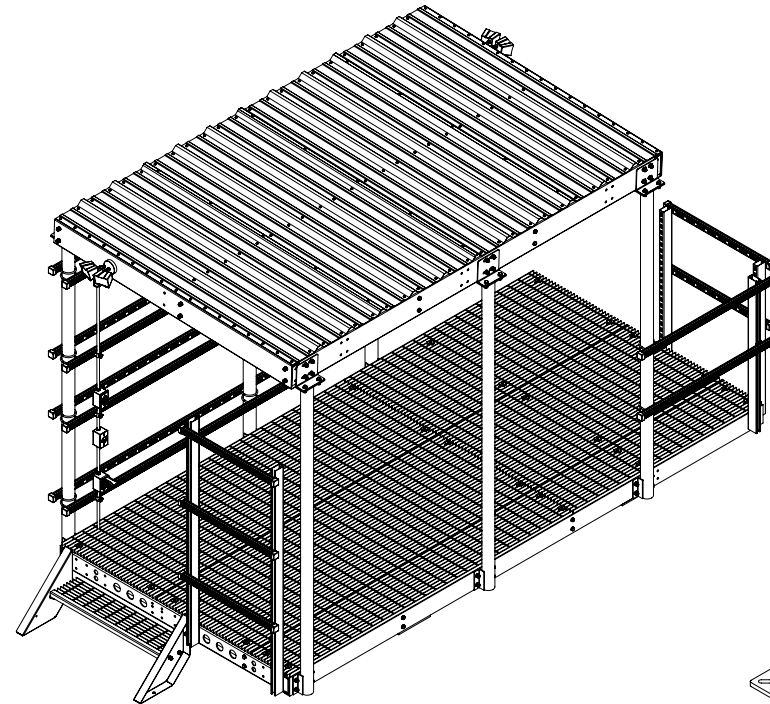
FC - Factory Configured - pre-assembled unit
 SC - Site Configured - on-site assembly
 4 ft elevated unit uses ladder for compact footprint

Part Number

AT&T- CEQ.53681 EMI- 1000-0020-0032 ↓
--

Description

OD cabinet platform 30kW generator extension with two 12" extension wings set.



Helical and Concrete Foundations Sold Separately

Part Number

AT&T- CEQ.53658 EMI- 1008-0050-0011 ↓
--

Description

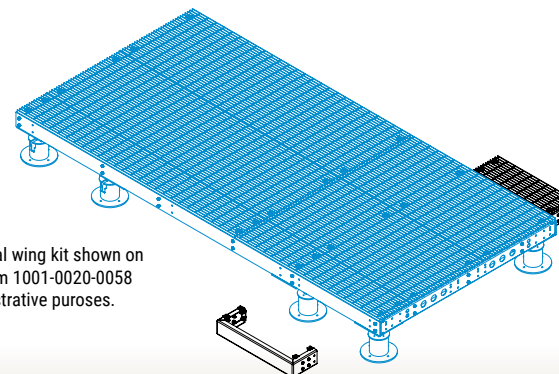
10" dia. x 10' high helical foundation (4 unit kit), single stud leveling.

Part Number

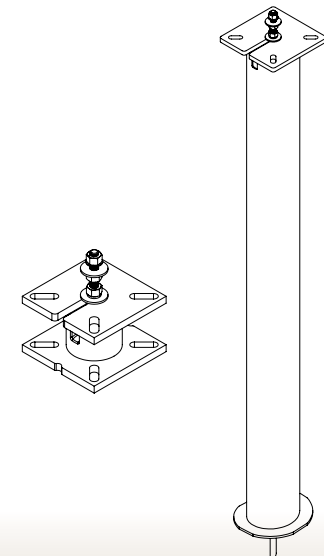
AT&T- CEQ.53682 EMI- 1008-0030-0005 ↓
--

Description

6" dia. x 8' high concrete mount extension with single stud leveling hardware. (4 unit Kit)



Optional wing kit shown on platform 1001-0020-0058 for illustrative purposes.



180" x 87 1/4" WUC/Combo Platform without Canopy & Optional Wing Kit for 30kW Genset

Part Number

[AT&T- CEQ.53675](#) [EMI- 1000-0010-0128-FC](#) ↓

[AT&T- CEQ.53675](#) [EMI- 1000-0010-0197-SC](#) ↓

↓ [Click the EMI part number to download drawing.](#)

Description

OD cabinet gravity platform without canopy 180" x 87 1/4". Includes 1-step entry stair, gravity mount feet and unistrut kit, factory assembled.

Special Notes

FC - Factory Configured - pre-assembled unit
 SC - Site Configured - on-site assembly

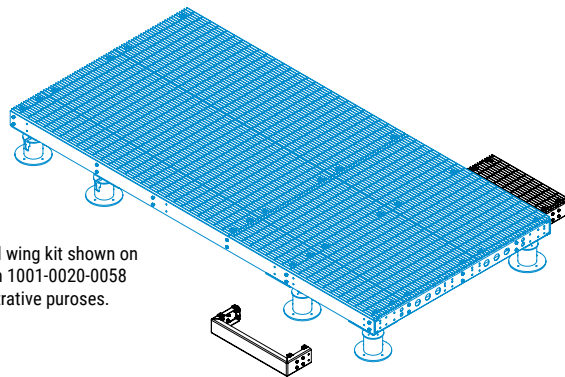
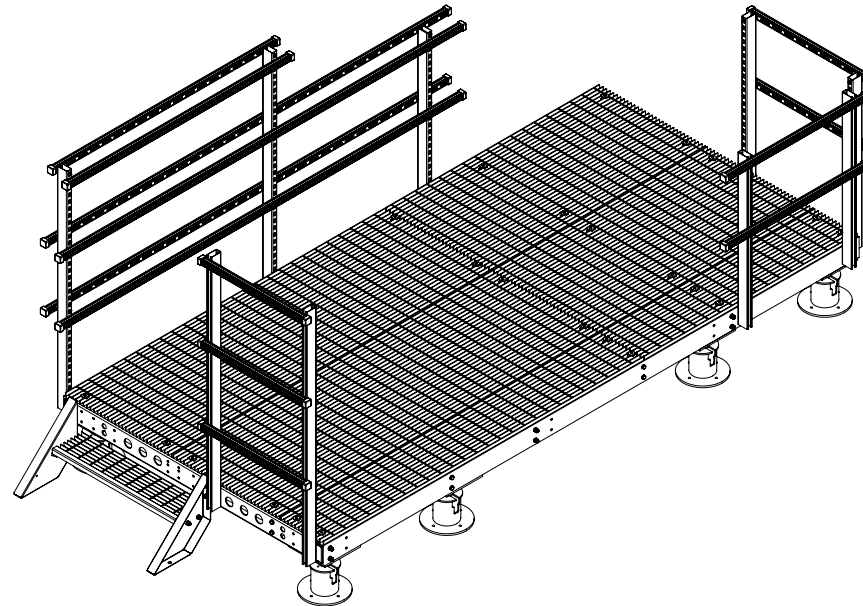
Part Number

[AT&T- CEQ.53681](#) [EMI- 1000-0020-0032](#) ↓

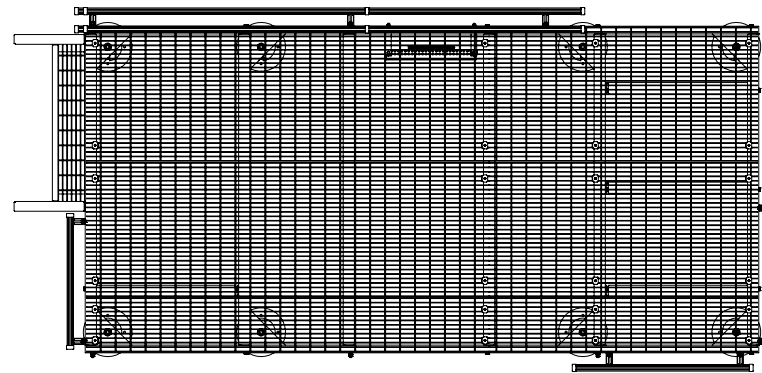
↓ [Click the EMI part number to download drawing.](#)

Description

OD cabinet platform 30kW generator extension with two 12" extension wings set.



Optional wing kit shown on platform 1001-0020-0058 for illustrative purposes.



WUC/Combo Elevated Platform **Required** Conversion Kit & Optional Canopy

Part Number	Elevation
AT&T- CEQ.53671 EMI- 1000-0010-0146-04 ↓	4 ft
AT&T- CEQ.53666 EMI- 1000-0010-0146-06 ↓	6 ft
AT&T- CEQ.53656 EMI- 1000-0010-0146-08 ↓	8 ft
AT&T- CEQ.53659 EMI- 1000-0010-0146-10 ↓	10 ft
AT&T- CEQ.53664 EMI- 1000-0010-0146-12 ↓	12 ft
AT&T- CEQ.57514 EMI- 1000-0010-0146-14 ↓	14 ft
AT&T- CEQ.57484 EMI- 1000-0010-0146-16 ↓	16 ft
AT&T- CEQ.57168 EMI- 1000-0010-0146-18 ↓	18 ft
AT&T- CEQ.57166 EMI- 1000-0010-0146-20 ↓	20 ft

↓ Click the **EMI** part number to download drawing.

Description

Elevated WUC-genset combo platform kit, 230"x145" up to 30kW genset on the back. Includes 10" dia. helical foundations and entry stair. 90° landing included in all elevations.

Special Notes

MUST BE ORDERED WITH GRATING CONVERSION KIT PART# 1000-0010-0160

Part Number

[AT&T- CEQ.53677](#) [EMI- 1000-0010-0160](#) ↓

Description

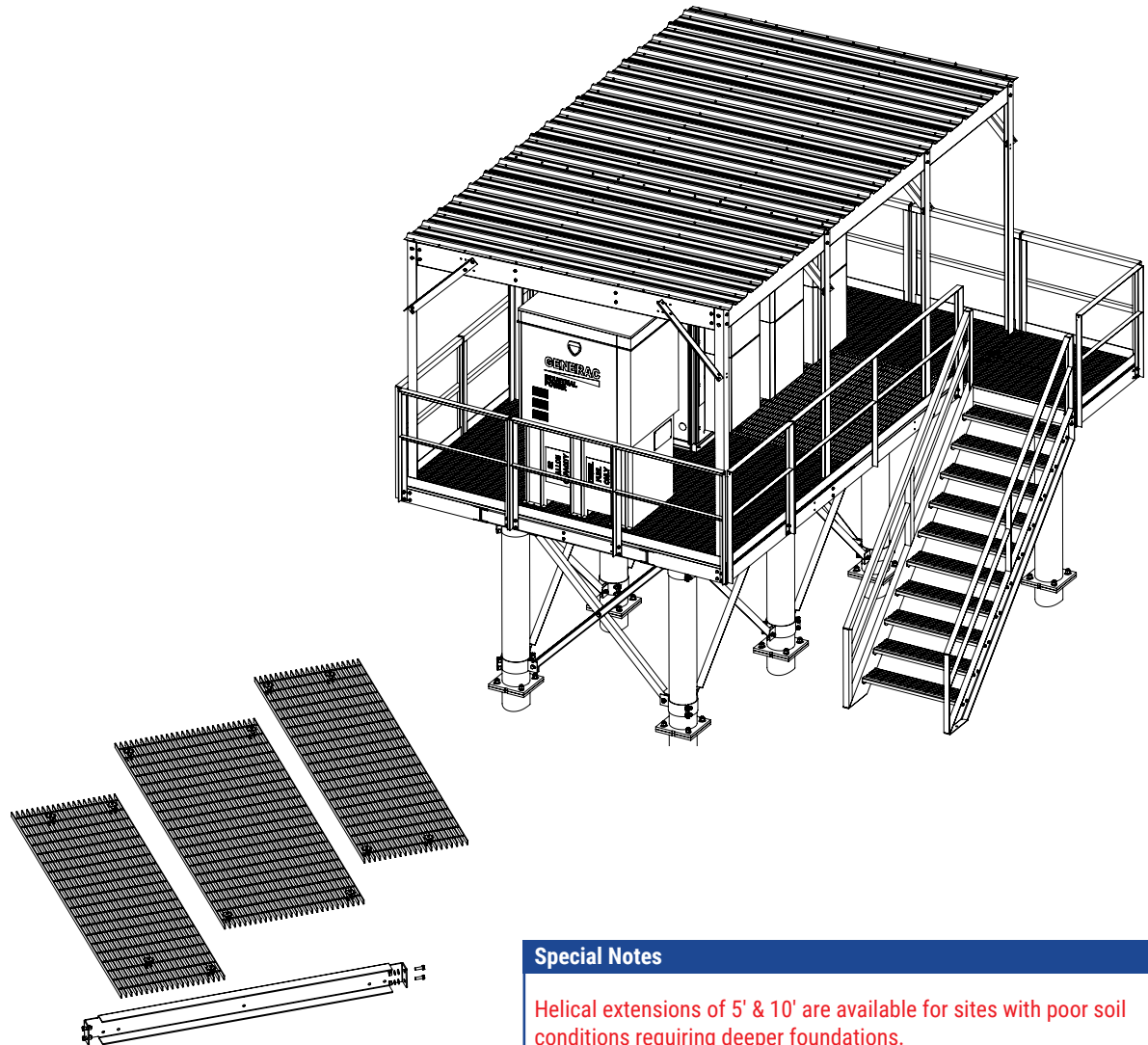
Conversion kit to modify 80" x 80" genset platform to fully grated for WUC or cabinet installation.

Part Number

[AT&T- CEQ.57485](#) [EMI- 1001-0030-0036](#) ↓

Description

184" x 117" bolt together canopy for WUC outdoor platform series 1000-0010-0146.



Special Notes

Helical extensions of 5' & 10' are available for sites with poor soil conditions requiring deeper foundations.

AT&T- CEQ.57203 EMI- 1000-0030-0178 ↓	5 ft
AT&T- CEQ.57204 EMI- 1000-0030-0179 ↓	10 ft

102" x 75" WUC Gravity/Pad Mount Platform & Optional Single Step Kit

Part Number

AT&T- CEQ.54437 **EMI-** [1000-0010-0118](#) ↓

↓ [Click the EMI part number to download drawing.](#)

Description

WUC gravity mount platform assembly 102" x 75" with steel grating and leveling feet.

Single Step Kit Sold Separately

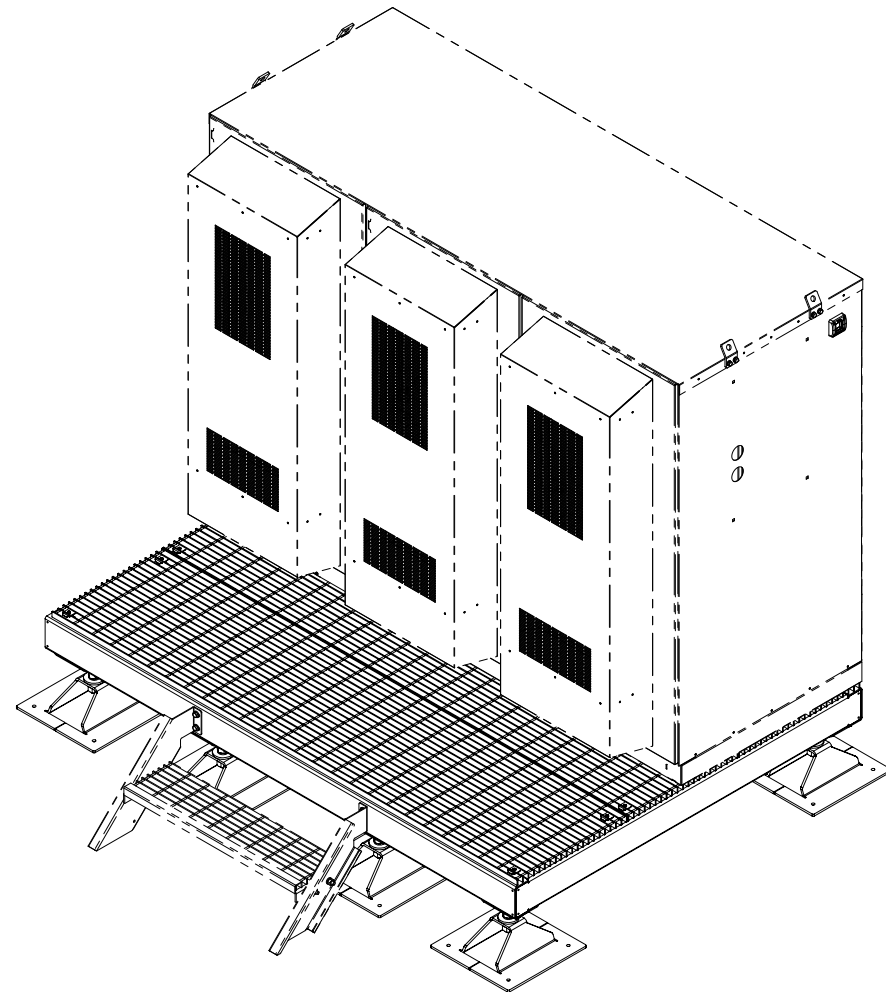
Part Number

AT&T- CEQ.51664 **EMI-** [1003-0000-0020](#) ↓

↓ [Click the EMI part number to download drawing.](#)

Description

WUC single step stair kit 45 degree including hardware.



156" x 106" WUC - 3 Bay/Genset Gravity/Pad Mount Platform

Part Number

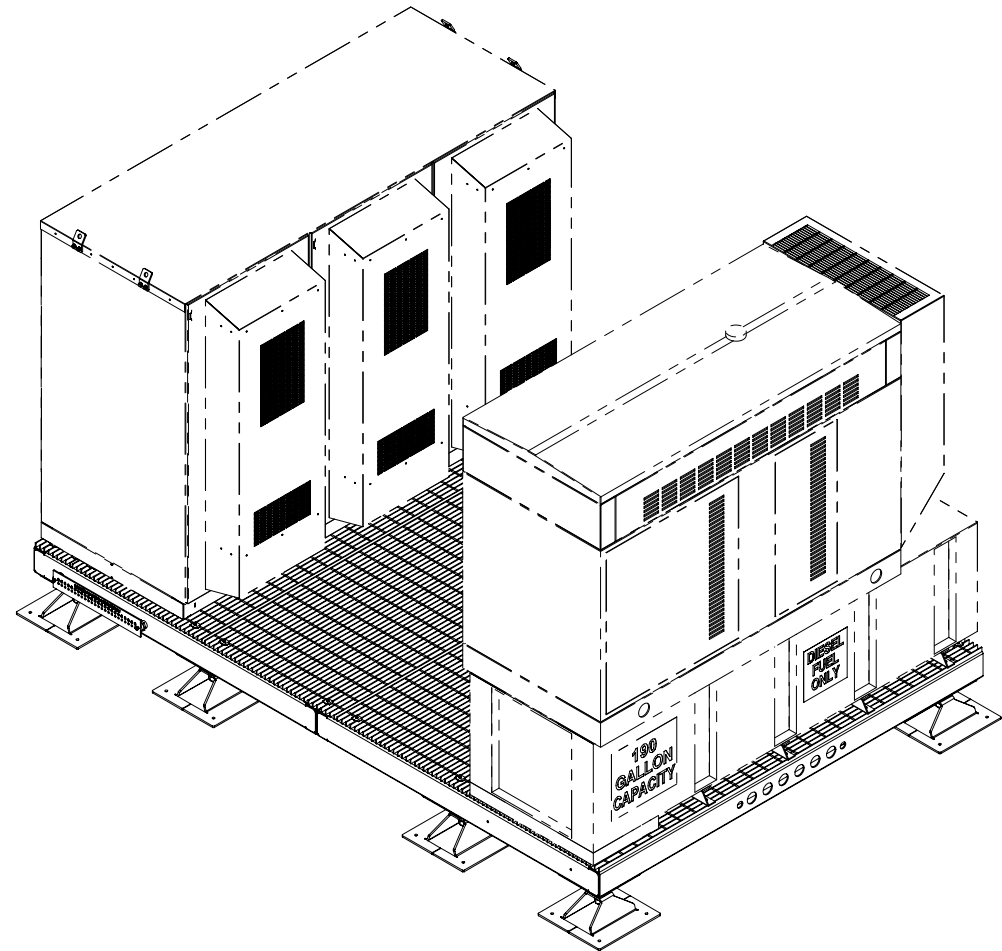
AT&T- CEQ.48196

EMI- [1000-0010-0171](#) ↓

↓ [Click the EMI part number to download drawing.](#)

Description

3-Bay WUC/genset gravity mount platform kit 156" x 106" with 1" steel grating and 8 leveling feet grade level.



228" x 43 3/8" Generator Plinth Kit

Part Number

AT&T- NEQ.20738 EMI- [W-000-954](#) ↓

↓ [Click the EMI part number to download drawing.](#)

Description

Generator rail plinth kit 228" x 43 3/8" platform. Includes genset clamp kit, grating and ground bar kit.

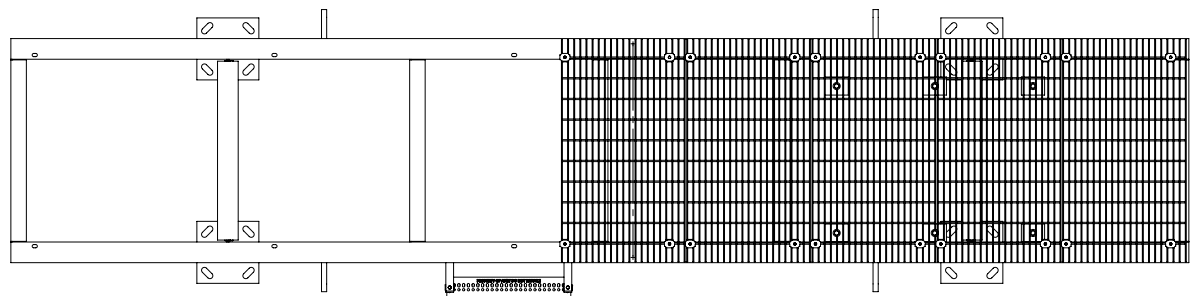
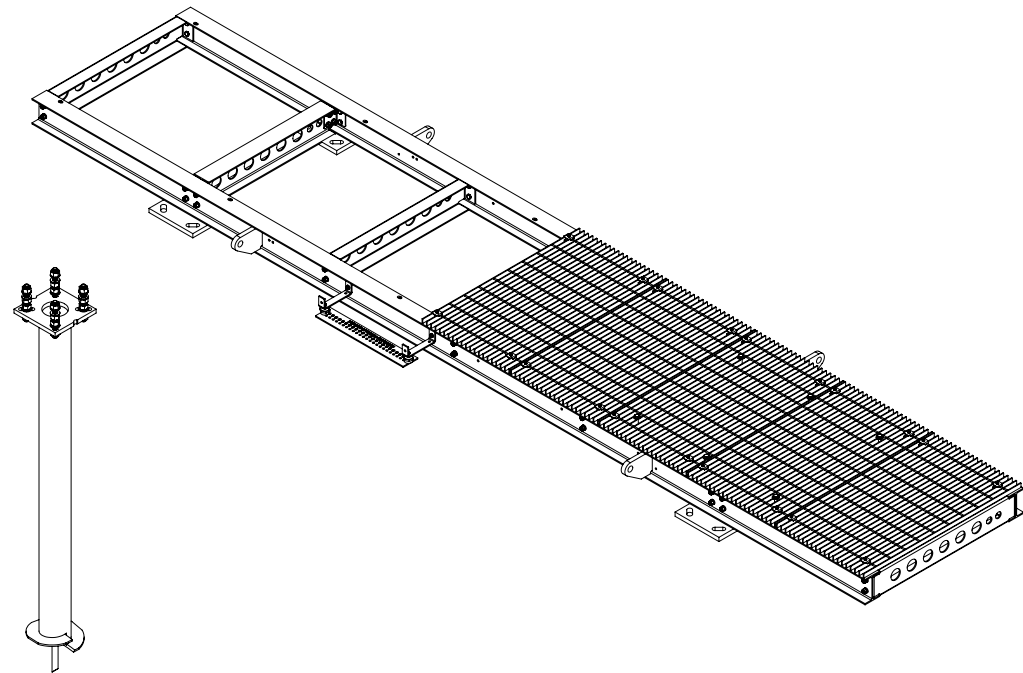
Part Number

AT&T- CEQ.20737 EMI- [1000-0020-0034](#) ↓

↓ [Click the EMI part number to download drawing.](#)

Description

6" dia. x 7' high helical foundation (4 unit kit) with quad mount leveling hardware.



Install platform at grade level when helical foundations are used.