



# AT&T WIC, WUC and Generator Foundation Ordering Guide



**1-800-453-0050**

[www.emiproducts.com](http://www.emiproducts.com)

11230 Neeshaw Drive, Houston, Texas 77065

## Table of Contents

WIC Platform	Page
80" x 80" WIC Gravity/Pad Mount	<a href="#">4</a>
10' x 10' WIC Gravity/Pad Mount	<a href="#">4</a>
WIC Helical Mount	<a href="#">5</a>
WIC Concrete Mount	<a href="#">6</a>
WIC/Combo Platforms	Page
182" x 80" WIC/Combo Elevated Platform	<a href="#">7</a>
230" x 145" WIC/Combo Elevated Platform	<a href="#">8</a>
230" x 145" WIC/Combo Elevated Platform w/o helicals	<a href="#">9</a>
166" x 80" WIC/Combo Gravity Mount Skid Platform	<a href="#">10</a>
166" x 80" WIC/Combo Helical Mount Grade Platform	<a href="#">11</a>
166" x 80" WIC/WICG Gravity Mount Skid Platform	<a href="#">12</a>
166" x 80" WIC/WICG Helical Mount Grade Platform	<a href="#">13</a>
WUC Platform	Page
102" x 75" WUC Gravity/Pad Mount w/Step	<a href="#">16</a>
102" x 75" WUC Gravity/Pad Mount	<a href="#">17</a>
156" x 106" WUC - 3Bay/Genset Gravity/Pad Mount	<a href="#">18</a>
180" x 87 1/4" WUC/Combo Platform w/ Canopy	<a href="#">19</a>
180" x 87 1/4" WUC/Combo Platform w/o Canopy	<a href="#">20</a>
180" x 87 1/4" WUC/Combo Platform w/ Mesh Canopy	<a href="#">21</a>
Generator Platforms	Page
192" x 120" Generator up to 50 kW Elv. Platform w/ Stairs	<a href="#">22</a>
192" x 120" Generator up to 50 kW Elv. Platform w/ Ladder	<a href="#">23</a>
156" x 106" Generator up to 50 kW Grav/Pad Mnt Platform	<a href="#">24</a>

Generator Platforms Cont.	Page
9' x 4' Pad Mount Generator Platform	<a href="#">25</a>
10' x 4' Pad Mount Generator Platform	<a href="#">25</a>
8' x 4" Helical Mount Generator Platform	<a href="#">26</a>
72" x 53" Helical Mount Generator Platform	<a href="#">27</a>
144" x 53" Helical Mount Generator Platform	<a href="#">28</a>
53" x 36" Vertical Generator Pad Mount Plinth	<a href="#">29</a>
228" x 43 3/8" Generator Plinth Kit	<a href="#">30</a>
Foundations	Page
6" Diameter x 7' Quad Mount Helical Kit	<a href="#">31</a>
10" Diameter x 10' Single Stud Mount Helical Kit (4 Pk)	<a href="#">32</a>
10" Diameter x 21' Triple Flight Helical & Ext. Kit (7 Pk)	<a href="#">33</a>
6" Dia. Pad Mount Extension Single Stud Mount (4 Pk)	<a href="#">33</a>
6" Diameter Pad Mount Extension Quad Mount	<a href="#">34</a>
10" Diameter Foundation Extensions	<a href="#">35</a>
Accessories	Page
Platform Extension "Wing" Kit	<a href="#">14</a>
WIC/Combo 90° Stair Landing Kits	<a href="#">15</a>
Single Step Stair Kit	<a href="#">36</a>
WIC & Genset Platform Fully Grated Conversion Kit	<a href="#">36</a>
Canopy for WIC - WUC Outdoor Platform - 0146	<a href="#">37</a>
114" X 144" Pad Mount Canopy	<a href="#">38</a>
302" X 130" Pad Mount Solar Canopy Frame & Panel kits	<a href="#">39</a>

## AT&T WIC [WALK IN CABINET]

**AT&T Standards determine the selection of foundation type.**

1. Helical - 92% locations nationwide (standard option).
2. Concrete Pier/Gravity Mount - Rocky terrain/mountain top locations (where helical is not an option due to ground conditions).
3. Concrete Pad - Existing pad (no new pouring). Space available on the existing pad due to decommission of legacy enclosures, relocation.



## 80" x 80" WIC Gravity/Pad Mount

### Part Number

**AT&T-** CEQ.53686      **EMI-** [1000-0000-0103](#) ↓  
↓ [Click the EMI part number to download drawing.](#)

### Description

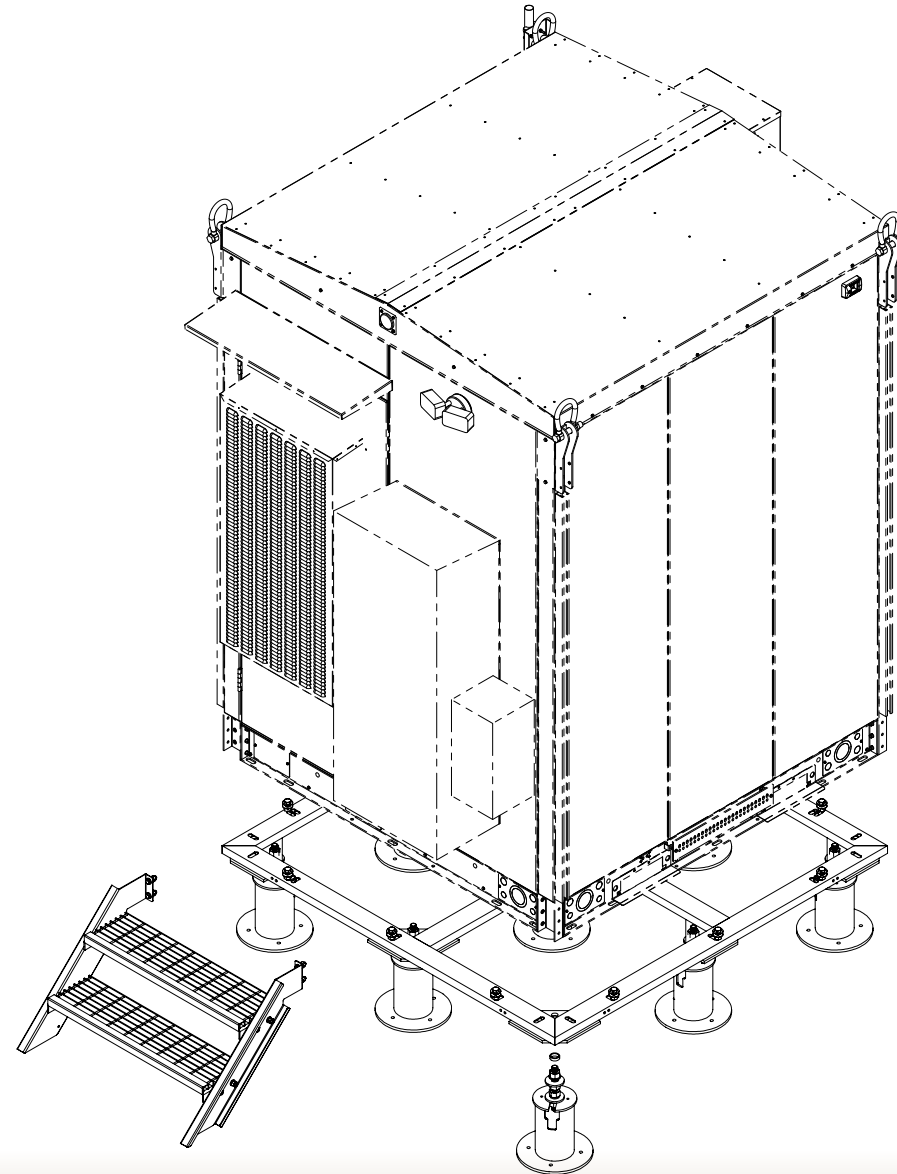
80" x 80" WIC gravity/pad mount platform kit, 2-step stair with leveling hardware.

### Part Number

**AT&T-** CEQ.46388      **EMI-** [1000-0000-0162](#) ↓  
↓ [Click the EMI part number to download drawing.](#)

### Description

10' x 10' WIC gravity/pad mount platform kit, 2-step stair with leveling hardware.



## WIC Helical Mount

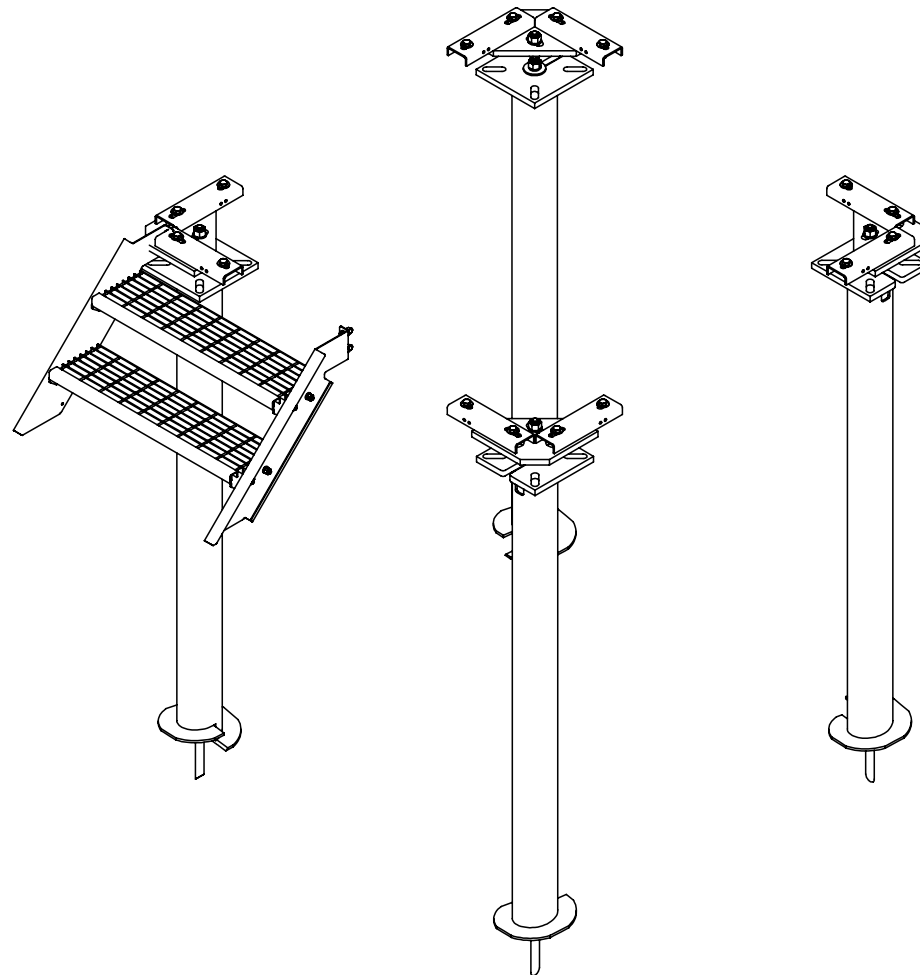
### Part Number

AT&T- CEQ.53680      EMI- [1000-0000-0101](#) ↓

↓ [Click the EMI part number to download drawing.](#)

### Description

WIC corner mount helical kit, 2-step stair with leveling hardware.



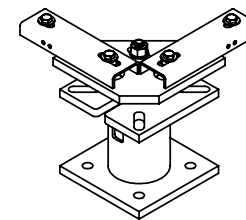
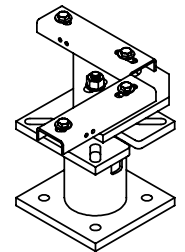
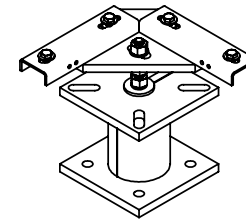
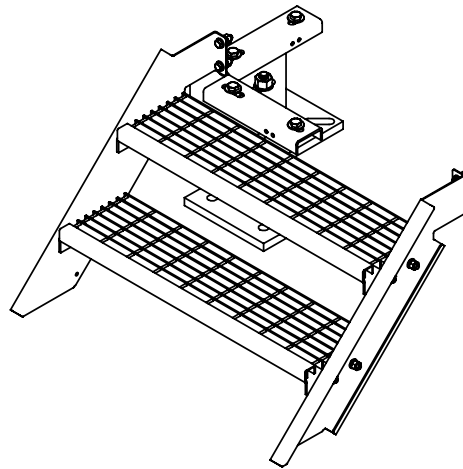
## WIC Concrete Mount

### Part Number

AT&T- CEQ.53655      EMI- [1007-0000-0012](#) ↓  
↓ [Click the EMI part number to download drawing.](#)

### Description

WIC pad mount corner kit, 17" mounting feet, 2-step stair with leveling hardware.



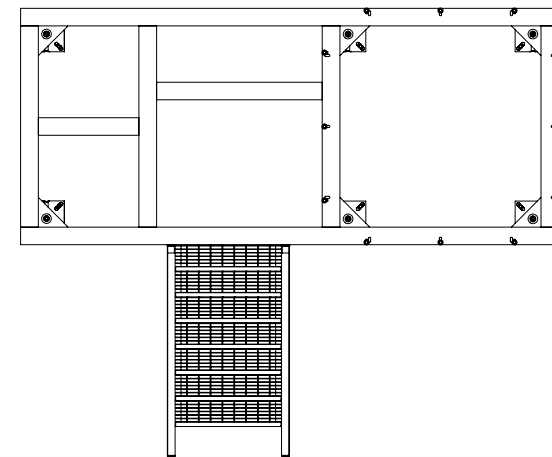
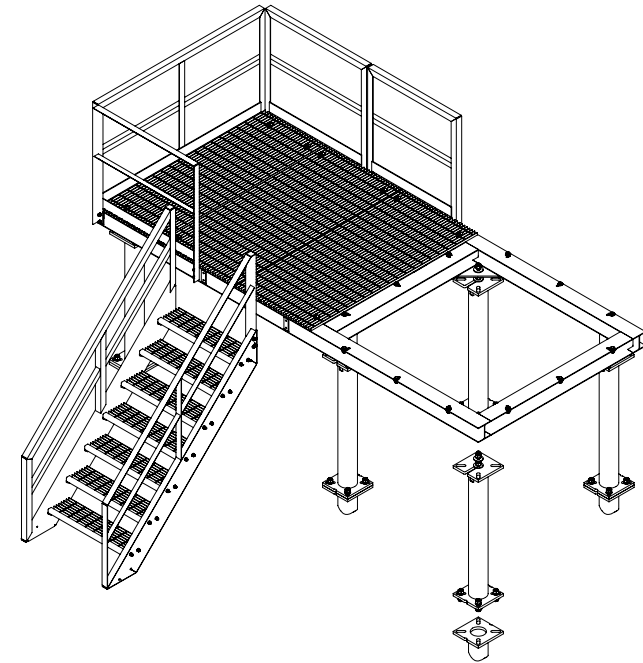
## 182" x 80" WIC/Combo Elevated Platform

Part Number	Elevation
AT&T- CEQ.53687    EMI- <a href="#">1000-0010-0090-03</a> ↓	3 ft
AT&T- CEQ.*****    EMI- <a href="#">1000-0010-0090-04</a> ↓	4 ft
AT&T- CEQ.53670    EMI- <a href="#">1000-0010-0090-06</a> ↓	6 ft

↓ Click the EMI part number to download drawing.

**Description**

Elevated WIC-genset combo platform kit, 182" x 80" for 3' to 6' elevations. Includes helicals and entry stair.



GRATING REMOVED FOR CLARITY

## WUC/Combo Elevated Platform Required Conversion Kit & Optional Canopy [0146]

Part Number	Elevation
AT&T- CEQ.53671    EMI- 1000-0010-0146-04 ↓	4 ft
AT&T- CEQ.53666    EMI- 1000-0010-0146-06 ↓	6 ft
AT&T- CEQ.53656    EMI- 1000-0010-0146-08 ↓	8 ft
AT&T- CEQ.53659    EMI- 1000-0010-0146-10 ↓	10 ft
AT&T- CEQ.53664    EMI- 1000-0010-0146-12 ↓	12 ft
AT&T- CEQ.57514    EMI- 1000-0010-0146-14 ↓	14 ft
AT&T- CEQ.57484    EMI- 1000-0010-0146-16 ↓	16 ft
AT&T- CEQ.57168    EMI- 1000-0010-0146-18 ↓	18 ft
AT&T- CEQ.57166    EMI- 1000-0010-0146-20 ↓	20 ft

↓ Click the EMI part number to download drawing.

**Description**  
 Elevated WUC-genset combo platform kit, 230"x145" up to 30KW Genset on the back. Includes 10" dia. helical foundations and entry stair. 90 degree landing included in all elevations

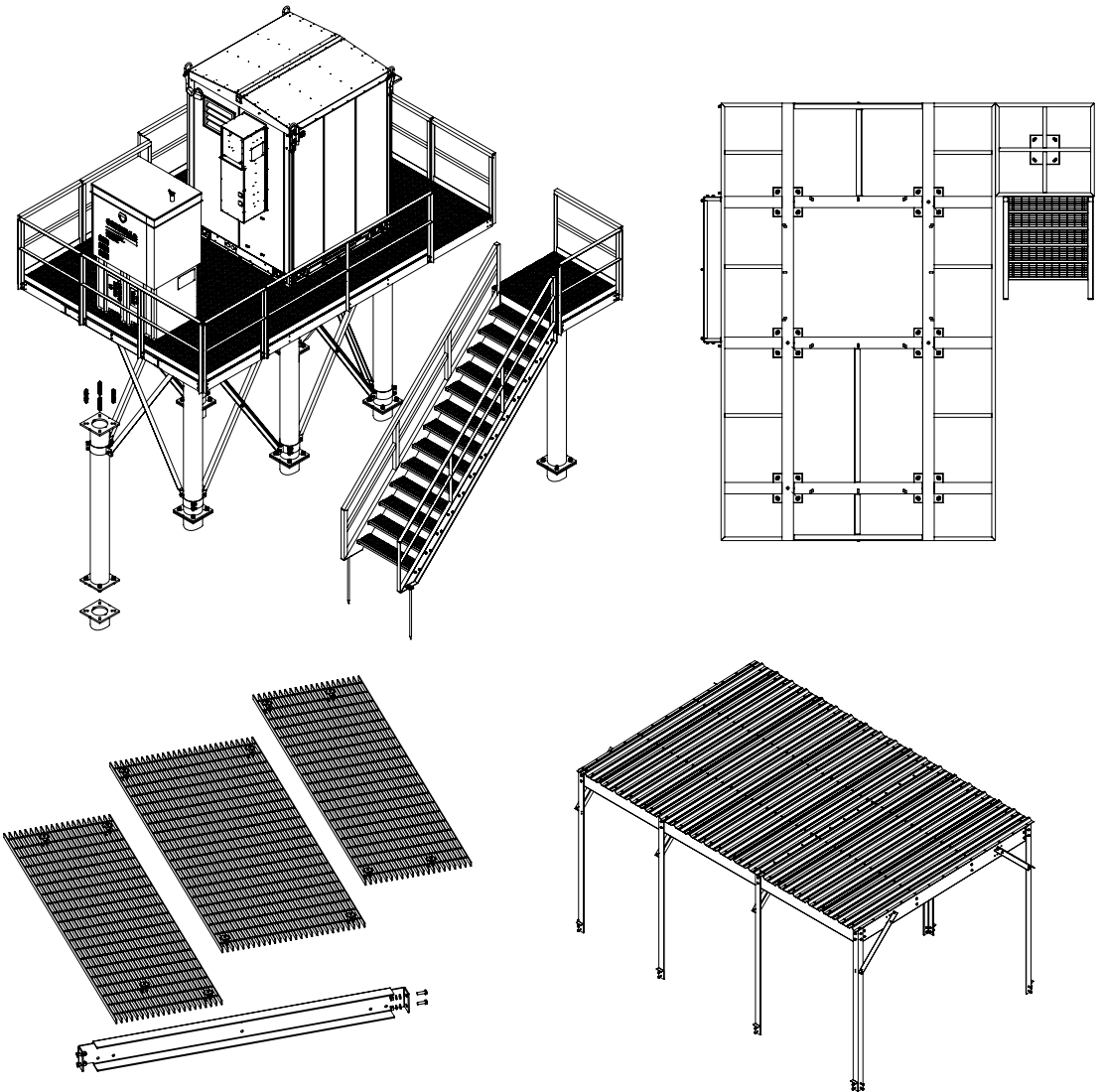
**Special Notes**  
**MUST BE ORDERED WITH CONVERSION KIT PART # 1000-0010-0160 - Grating KIT**

Part Number
AT&T- CEQ.53677    EMI- 1000-0010-0160 ↓

**Description**  
 Conversion kit to modify 80" x 80" genset platform to fully grated for WUC or cabinet installation.

Part Number
AT&T- CEQ.57485    EMI- 1001-0030-0036 ↓

**Description**  
 184" x 117" bolt together canopy for WIC and WUC outdoor platform series 1000-0010-0146 and 1000-0010-0557.



*EMI 1000-0010-0146-04 series platforms are approved for use with the included helical kit, provided that presumptive soil values listed in Annex F of TIA-222-H are met. It is the responsibility of the Owner to verify that site-specific soil conditions meet or exceed the mechanical properties referenced in Annex F. For platforms with elevations greater than 4'-0", contact EMI for project-specific foundation design and verification.*

## WUC/Combo Elevated Platform **Required** Conversion Kit & Optional Canopy [0557]

Part Number	Elevation
AT&T- CEQ.59829    EMI- <a href="#">1000-0010-0557-04</a> ↓	4 ft
AT&T- CEQ.59822    EMI- <a href="#">1000-0010-0557-06</a> ↓	6 ft
AT&T- CEQ.59814    EMI- <a href="#">1000-0010-0557-08</a> ↓	8 ft
AT&T- CEQ.59831    EMI- <a href="#">1000-0010-0557-10</a> ↓	10 ft
AT&T- CEQ.59827    EMI- <a href="#">1000-0010-0557-12</a> ↓	12 ft
AT&T- CEQ.59824    EMI- <a href="#">1000-0010-0557-14</a> ↓	14 ft
AT&T- CEQ.59825    EMI- <a href="#">1000-0010-0557-16</a> ↓	16 ft
AT&T- CEQ.59832    EMI- <a href="#">1000-0010-0557-18</a> ↓	18 ft
AT&T- CEQ.59833    EMI- <a href="#">1000-0010-0557-20</a> ↓	20 ft

↓ Click the EMI part number to download drawing.

**Description**  
Elevated WUC-genset combo platform kit, 230"x145" up to 30KW Genset on the back. Includes entry stair. 90 degree landing included in all elevations. Does not include helical foundations.

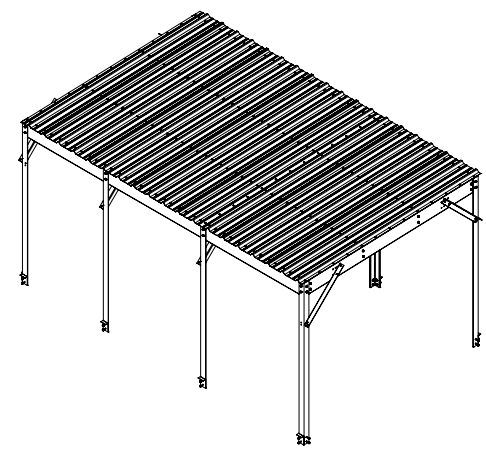
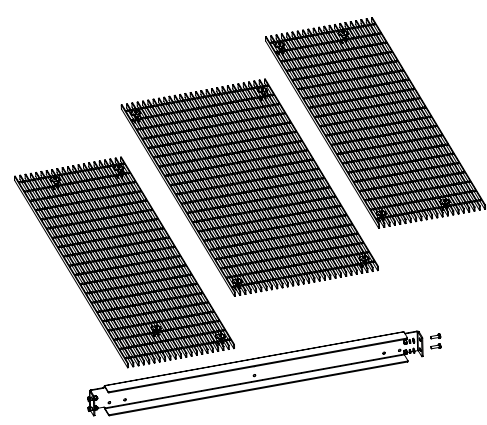
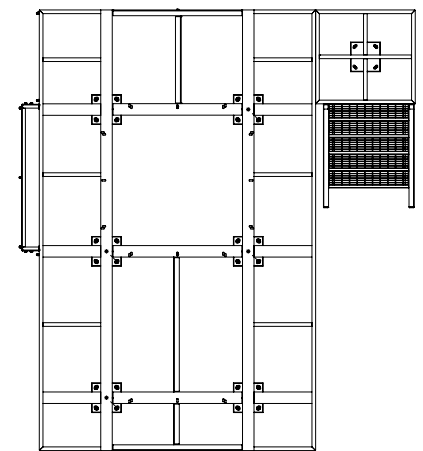
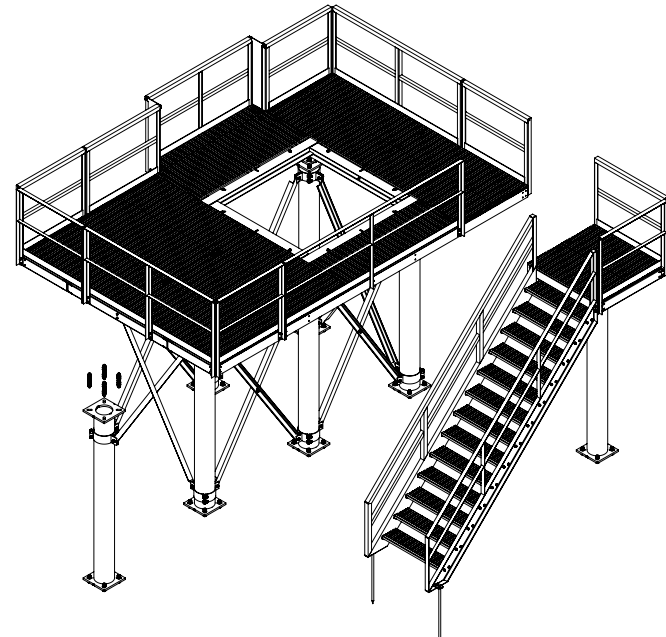
**Special Notes**  
**MUST BE ORDERED WITH CONVERSION KIT PART # 1000-0010-0160 - Grating KIT**

Part Number
AT&T- CEQ.53677    EMI- <a href="#">1000-0010-0160</a> ↓

**Description**  
Conversion kit to modify 80" x 80" genset platform to fully grated for WUC or cabinet installation.

Part Number
AT&T- CEQ.57485    EMI- <a href="#">1001-0030-0036</a> ↓

**Description**  
184" x 117" bolt together canopy for WIC and WUC outdoor platform series 1000-0010-0146 and 1000-0010-0557.



*EMI 1000-0010-0146-04 series platforms are approved for use with the included helical kit, provided that presumptive soil values listed in Annex F of TIA-222-H are met. It is the responsibility of the Owner to verify that site-specific soil conditions meet or exceed the mechanical properties referenced in Annex F. For platforms with elevations greater than 4'-0", contact EMI for project-specific foundation design and verification.*

## 166" x 80" WIC/Combo Gravity Mount Skid Platform

### Part Number

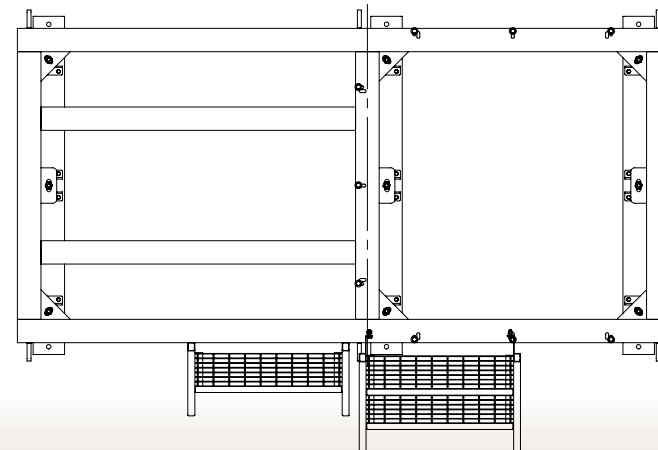
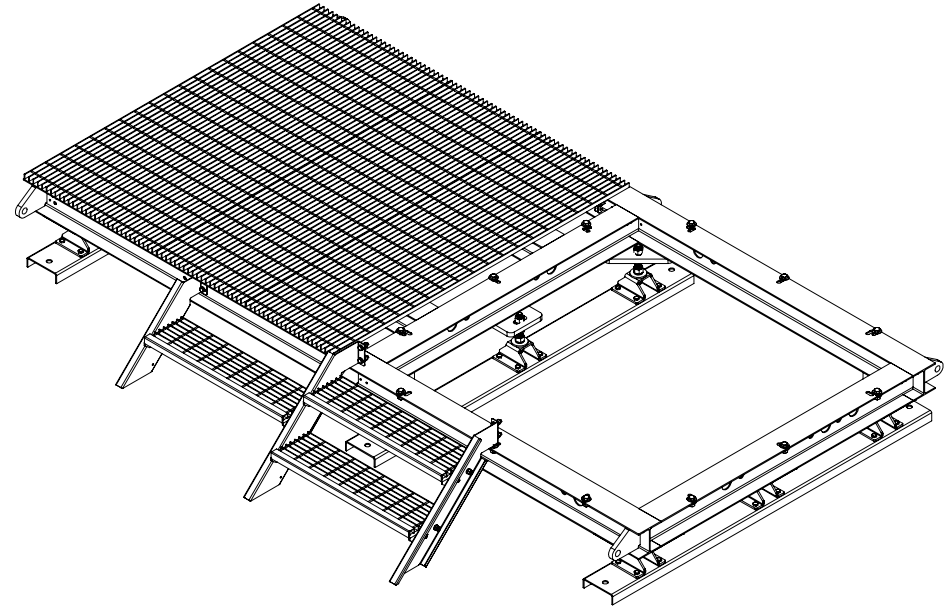
AT&T- CEQ.53657

EMI- 1000-0010-0123 ↓

↓ [Click the EMI part number to download drawing.](#)

### Description

WIC-genset combo 166"x 80" gravity mount platform for 80"x80" WIC and genset. Includes 2-step, 3-step stair and gravity mount foundations



## 166" x 80" WIC/Combo Helical Mount Grade Platform

### Part Number

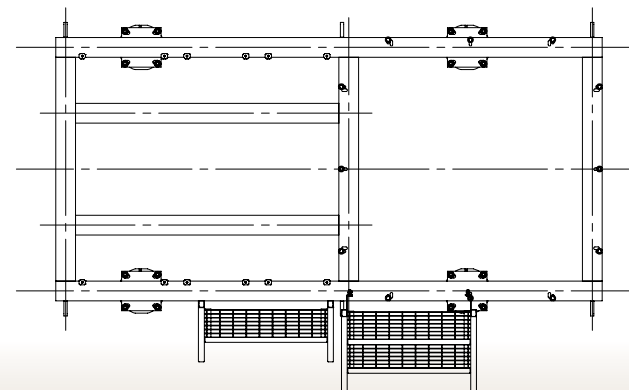
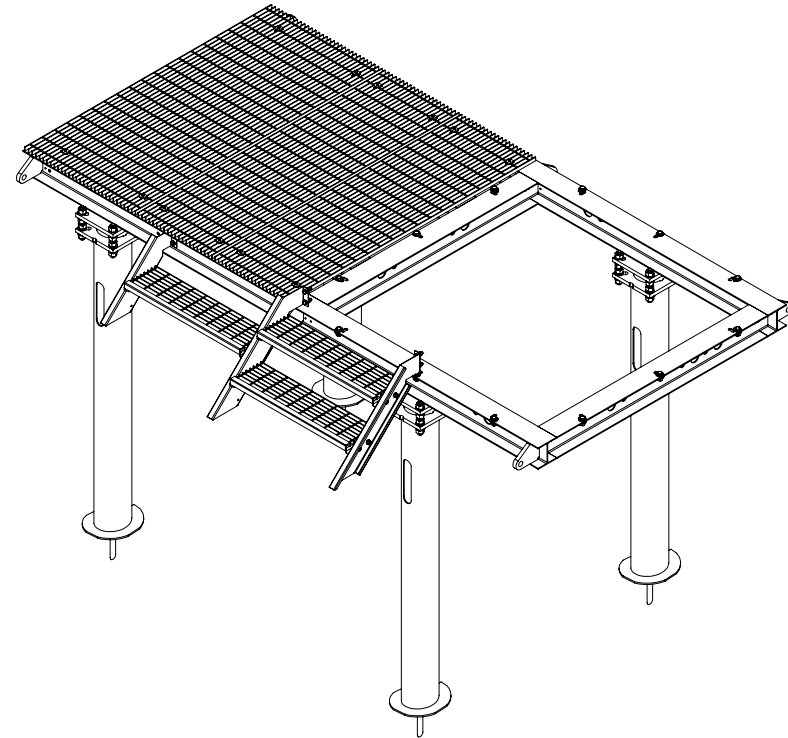
AT&T- CEQ.53663

EMI- [1000-0010-0122](#) ↓

↓ [Click the EMI part number to download drawing.](#)

### Description

WIC-genset combo 166"x 80" helical mount platform and genset. Includes 1-step, 2-step entry stair and helical foundations.



## 166" x 80" WIC/WICG Gravity Mount Skid Platform

### Part Number

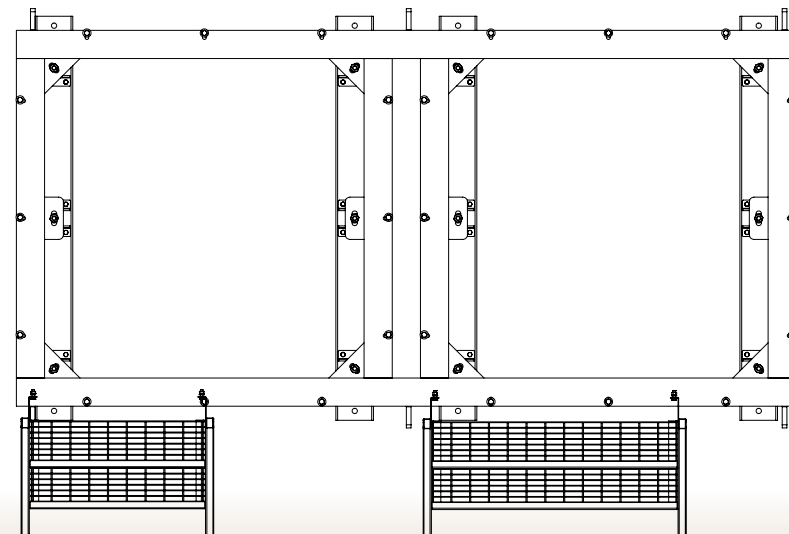
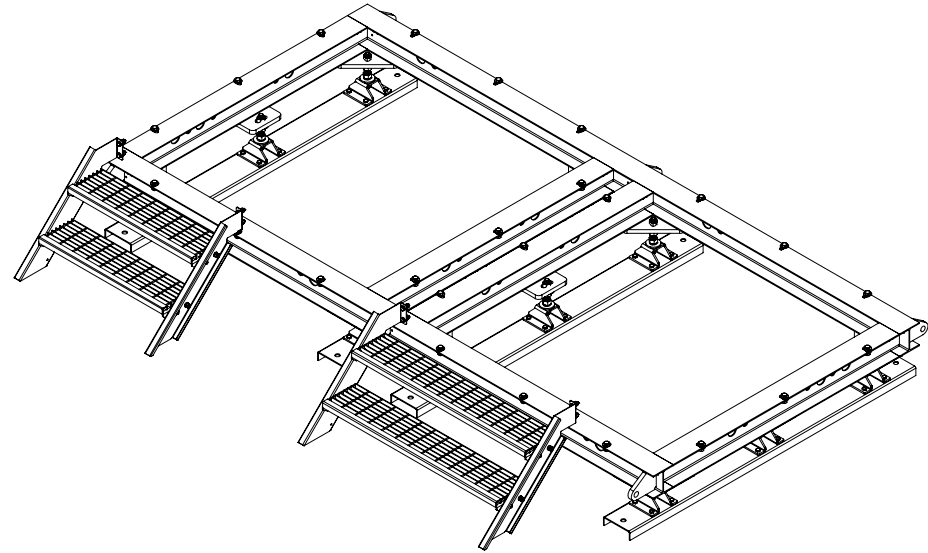
AT&T- CEQ.53662

EMI- [1000-0010-0179](#) ↓

↓ [Click the EMI part number to download drawing.](#)

### Description

WIC/WICG combo platform kit for 80"x 80" WIC and 20kW ID genset, includes (2) 2-step entry stairs and gravity mount foundations.



## 166" x 80" WIC/WICG Helical Mount Grade Platform

### Part Number

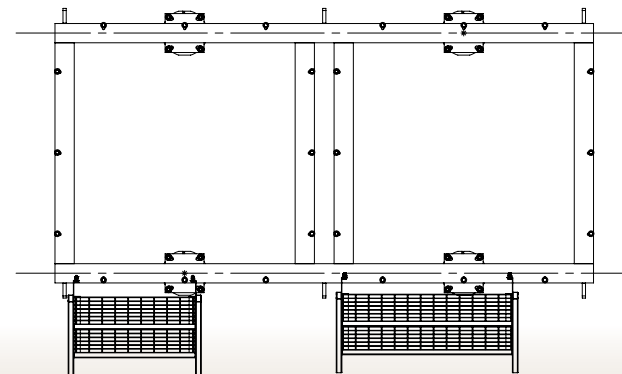
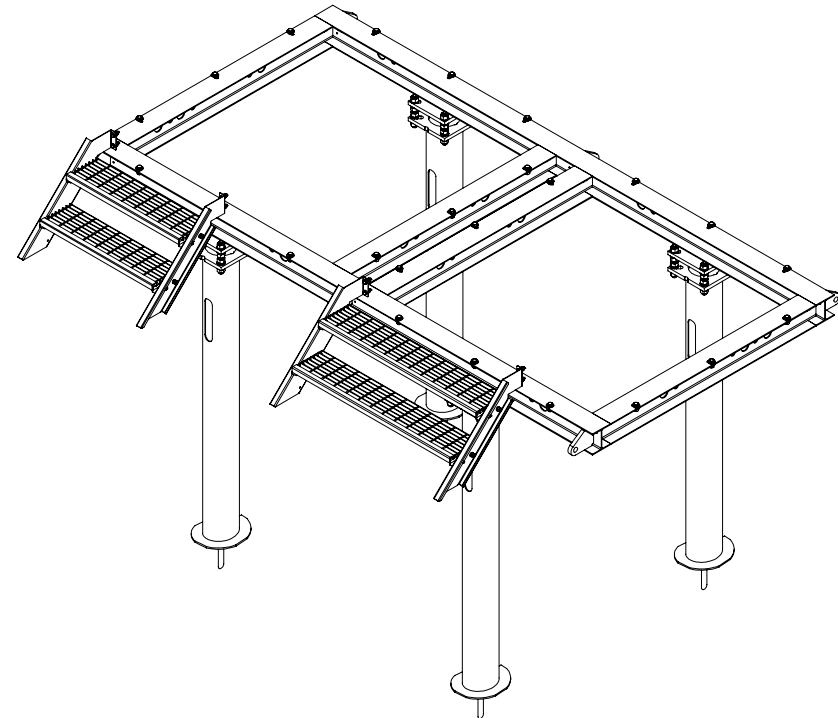
AT&T- CEQ.53684

EMI- [1000-0010-0171](#) ↓

↓ [Click the EMI part number to download drawing.](#)

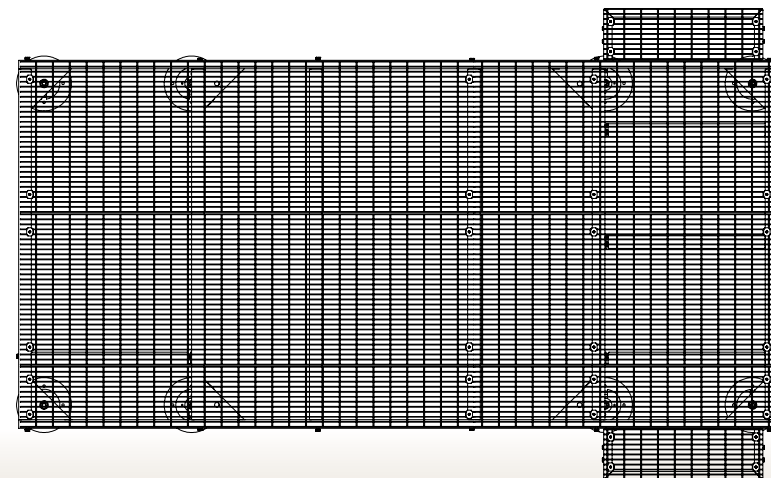
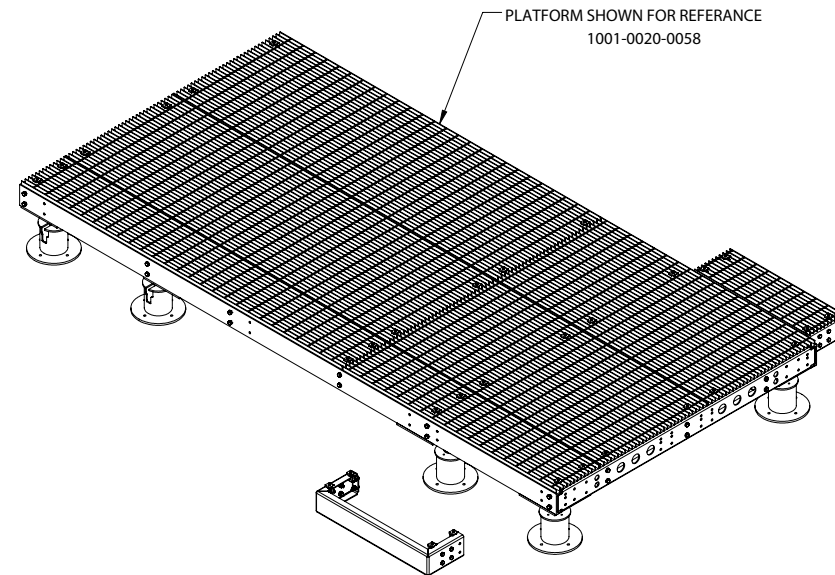
### Description

WIC/WICG combo platform kit for 80"x 80" WIC and 20kW ID genset, includes (2) 2-step entry stairs and helical foundations.



## Platform Extension "Wing" Kit

Part Number	
AT&T- CEQ.53681	<b>EMI- <a href="#">1000-0020-0032</a></b> ↓
↓ <b>Click the EMI part number to download drawing.</b>	
Description	
OD cabinet platform 30kW generator extension with two 12" extension wings set.	
For Use On The Following Platforms	
<b>EMI- <a href="#">1000-0010-0122</a></b>	↓
<b>EMI- <a href="#">1000-0010-0123</a></b>	↓
<b>EMI- <a href="#">1000-0010-0102</a></b>	↓
<b>EMI- <a href="#">1000-0010-0128</a></b>	↓
<b>EMI- <a href="#">1000-0010-0131</a></b>	↓

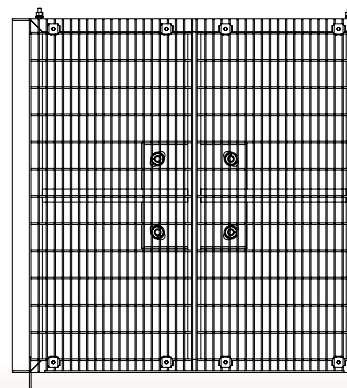
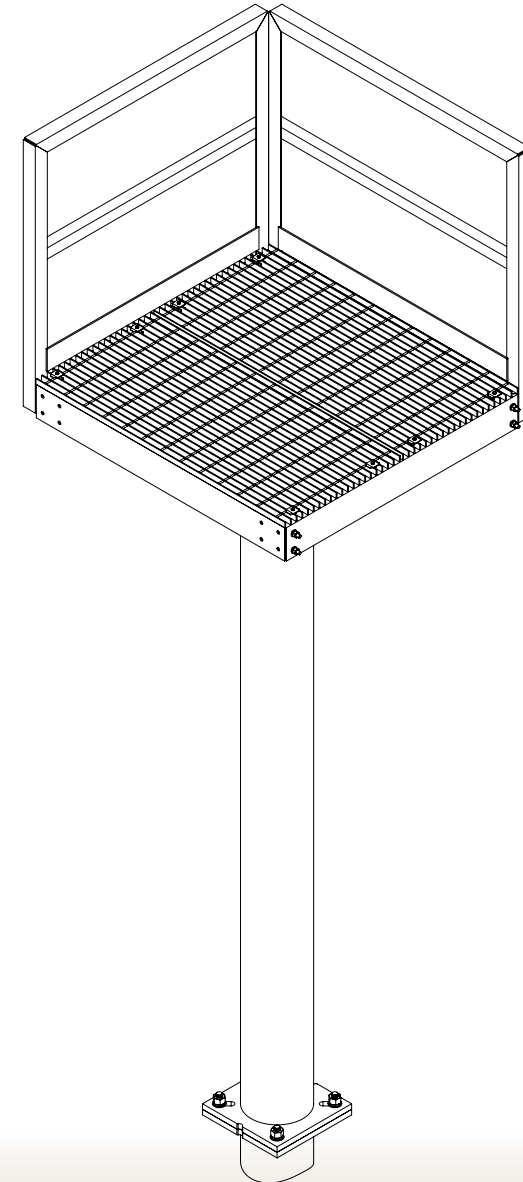


## WIC/Combo 90° Stair Landing Kits

Part Number	Elevation
<a href="#">AT&amp;T- CEQ.53653</a> <a href="#">EMI- 1000-0010-0161-04</a> ↓	4 ft
<a href="#">AT&amp;T- CEQ.53685</a> <a href="#">EMI- 1000-0010-0161-06</a> ↓	6 ft
<a href="#">AT&amp;T- CEQ.53683</a> <a href="#">EMI- 1000-0010-0161-08</a> ↓	8 ft
<a href="#">AT&amp;T- CEQ.53651</a> <a href="#">EMI- 1000-0010-0161-10</a> ↓	10 ft
<a href="#">AT&amp;T- CEQ.*****</a> <a href="#">EMI- 1000-0010-0161-12</a> ↓	12 ft

↓ [Click the EMI part number to download drawing.](#)

**Description**  
4' to 12' elevation stair kit for WIC combo platform, to add a 90 degree stair entry.



## 102" x 75" WUC Gravity/Pad Mount Platform

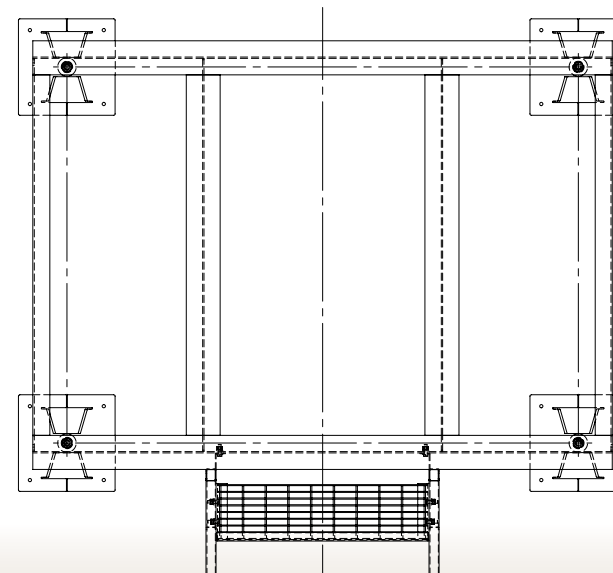
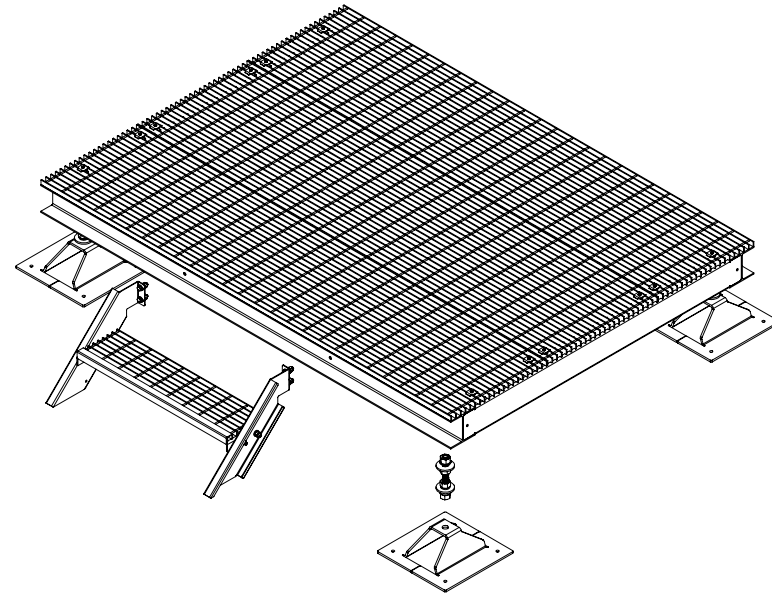
WUC is an aluminum construction cabinet arranged for third-party AC load center, DC power system, batteries, and load equipment. 3-bay cabinet trays, 18kW equipment space, 14RU power system space, 3 battery trays, 18kW capacity door mounted thermosiphon HEX cooling, rear access hatches, 6kW capacity DC heaters.

### Part Number

AT&T- CEQ.43621      EMI- [1000-0010-0238](#) ↓  
 ↓ [Click the EMI part number to download drawing.](#)

### Description

WUC gravity/pad mount platform 102" x 75" with leveling hardware.



## 102" x 75" WUC Gravity/Pad Mount Platform & Optional Single Step Kit

### Part Number

**AT&T-** CEQ.54437      **EMI-** [1010-0010-0118](#) ↓

↓ [Click the EMI part number to download drawing.](#)

### Description

WUC gravity mount platform assembly 102" x 75" with steel grating and leveling feet.

### Single Step Kit Sold Separately

### Part Number

**AT&T-** CEQ.51644      **EMI-** [1003-0000-0020](#) ↓

↓ [Click the EMI part number to download drawing.](#)

### Description

WUC single step stair kit 45 degree including hardware.

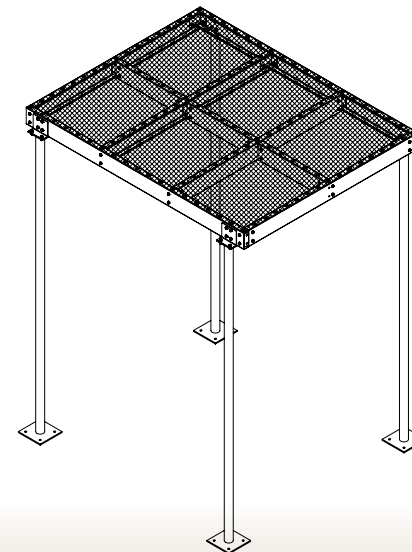
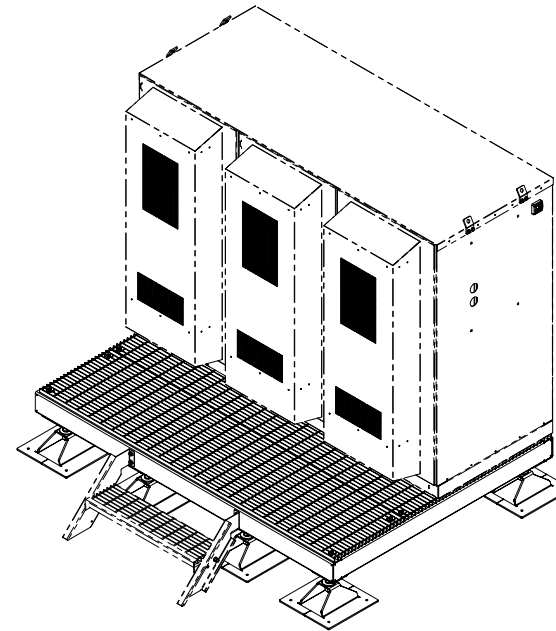
### Part Number

**AT&T-** CEQ.65872      **EMI-** [1001-0030-0106](#) ↓

↓ [Click the EMI part number to download drawing.](#)

### Description

120" x 96" Ice Bridge Canopy (expanded metal)  
*\*concrete pad installation only*



## 156" x 106" WUC - 3 Bay/Genset Gravity/Pad Mount Platform

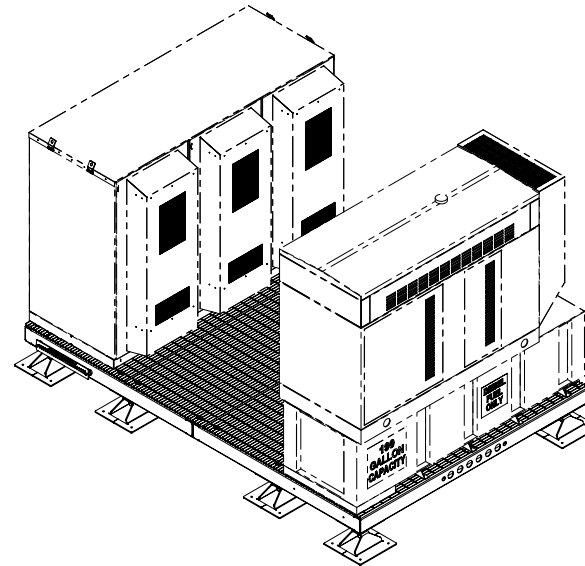
### Part Number

AT&T- CEQ.48196      EMI- [1010-0010-0171](#) ↓

↓ [Click the EMI part number to download drawing.](#)

### Description

3-Bay WUC/genset gravity mount platform kit 156" x 106" with 1" steel grating and 8 leveling feet grade level.



## 156" x 106" WUC - 3 Bay/Genset Helical Mount Platform

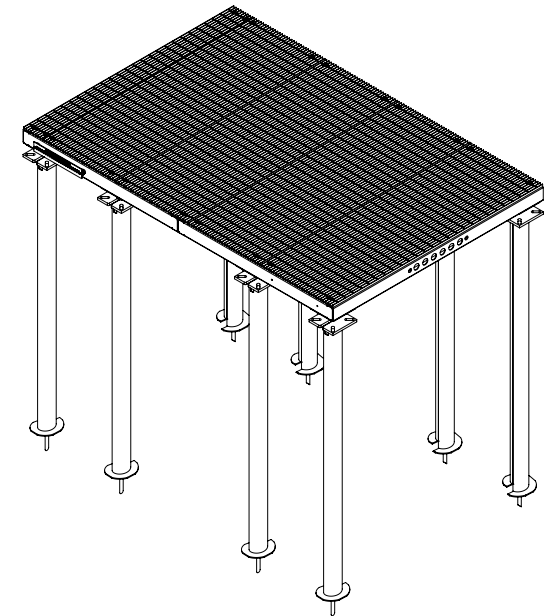
### Part Number

AT&T- CEQ.65863      EMI- [1000-0010-0597](#) ↓

↓ [Click the EMI part number to download drawing.](#)

### Description

Generator up to 50 kW gravity mount platform kit 156" x 106" with 1" steel grating and 8 Qty 6" x 10' helical foundations and leveling hardware.



### Single Step Kit Sold Separately

### Part Number

AT&T- CEQ.51644      EMI- [1003-0000-0020](#) ↓

↓ [Click the EMI part number to download drawing.](#)

### Description

Single step stair kit 45 degree including hardware.

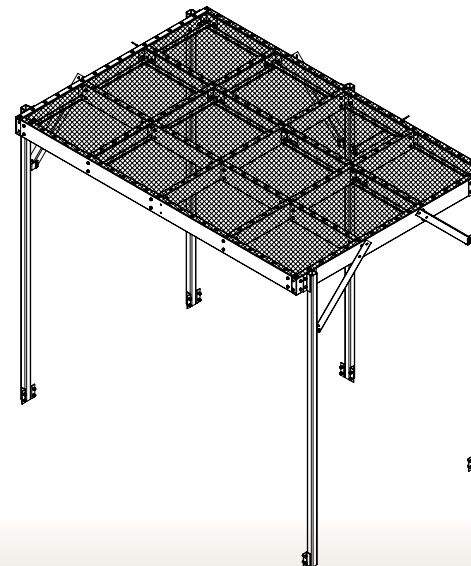
### Part Number

AT&T- CEQ.65876      EMI- [1001-0030-0107](#) ↓

↓ [Click the EMI part number to download drawing.](#)

### Description

150" x 106" Ice Bridge Canopy (expanded metal)



## 180" x 87 1/4" WUC/Combo Platform with Canopy & Optional Wing Kit for 30kW Genset

Part Number	Elevation
<a href="#">AT&amp;T- CEQ.53654</a> <a href="#">EMI- 1000-0010-0102-FC</a> ↓	Ground
<a href="#">AT&amp;T- CEQ.53679</a> <a href="#">EMI- 1000-0010-0102-SC</a> ↓	Ground

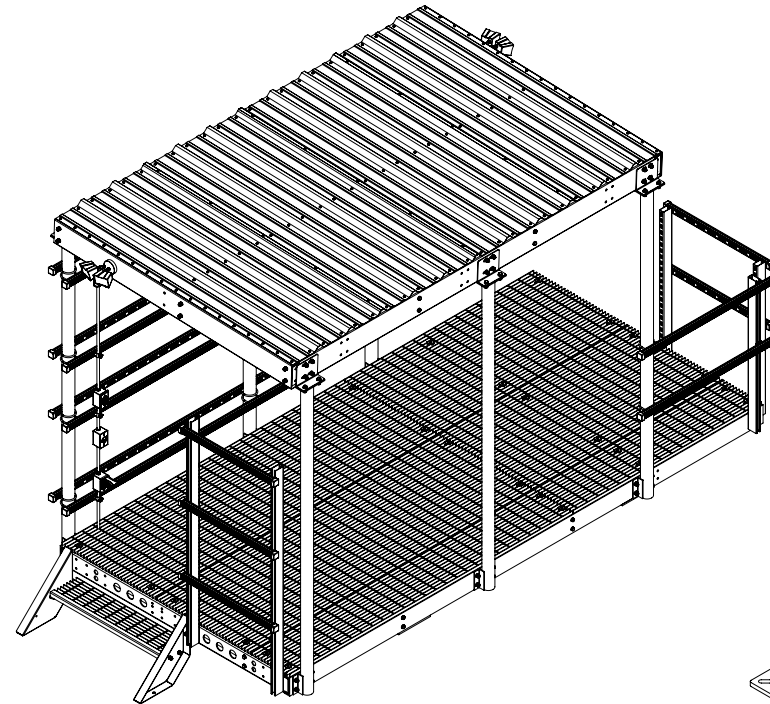
↓ [Click the EMI part number to download drawing.](#)

**Description**  
 OD cabinet equipment platform w/canopy 180" x 87 1/4". Includes stair kit, lighting, and unistruts.

**Special Notes**  
 FC - Factory Configured - pre-assembled unit  
 SC - Site Configured - on-site assembly  
 4 ft elevated unit uses ladder for compact footprint

Part Number	Elevation
<a href="#">AT&amp;T- CEQ.53681</a> <a href="#">EMI- 1000-0020-0032</a> ↓	

**Description**  
 OD cabinet platform 30kW generator extension with two 12" extension wings set.



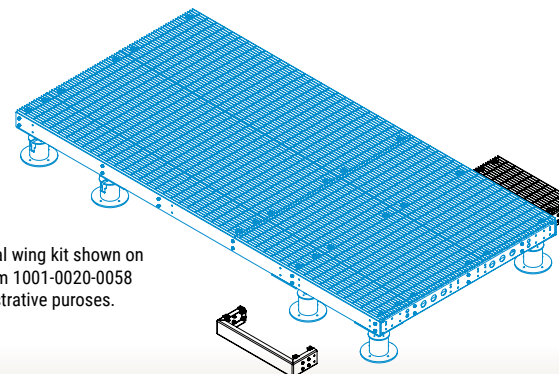
## Helical and Concrete Foundations Sold Separately

Part Number	Elevation
<a href="#">AT&amp;T- CEQ.53658</a> <a href="#">EMI- 1008-0050-0011</a> ↓	

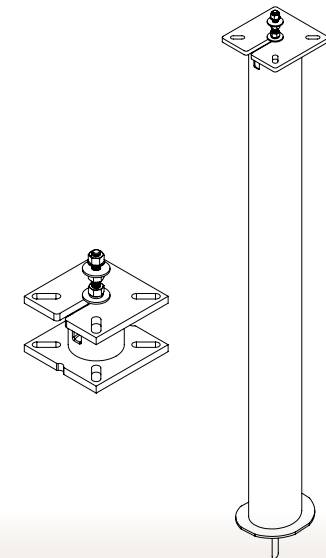
**Description**  
 10" dia. x 10' high helical foundation (4 unit kit), single stud leveling.

Part Number	Elevation
<a href="#">AT&amp;T- CEQ.53682</a> <a href="#">EMI- 1008-0030-0005</a> ↓	

**Description**  
 6" dia. x 8' high concrete mount extension with single stud leveling hardware. (4 unit Kit)



Optional wing kit shown on platform 1001-0020-0058 for illustrative purposes.



## 180" x 87 1/4" WUC/Combo Platform without Canopy & Optional Wing Kit for 30kW Genset

### Part Number

**AT&T- CEQ.53675**      **EMI- 1000-0010-0128-FC** ↓

**AT&T- CEQ.\*\*\*\*\***      **EMI- 1000-0010-0128-SC** ↓

↓ [Click the EMI part number to download drawing.](#)

### Description

OD cabinet gravity platform without canopy 180" x 87 1/4". Includes 1-step entry stair, gravity mount feet and unistrut kit, factory assembled.

### Special Notes

FC - Factory Configured - pre-assembled unit  
 SC - Site Configured - on-site assembly  
 4 ft elevated unit uses ladder for compact footprint

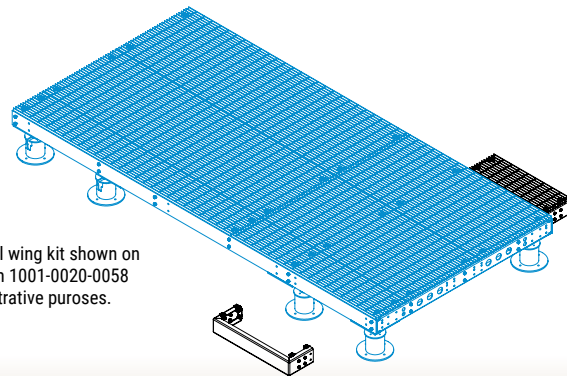
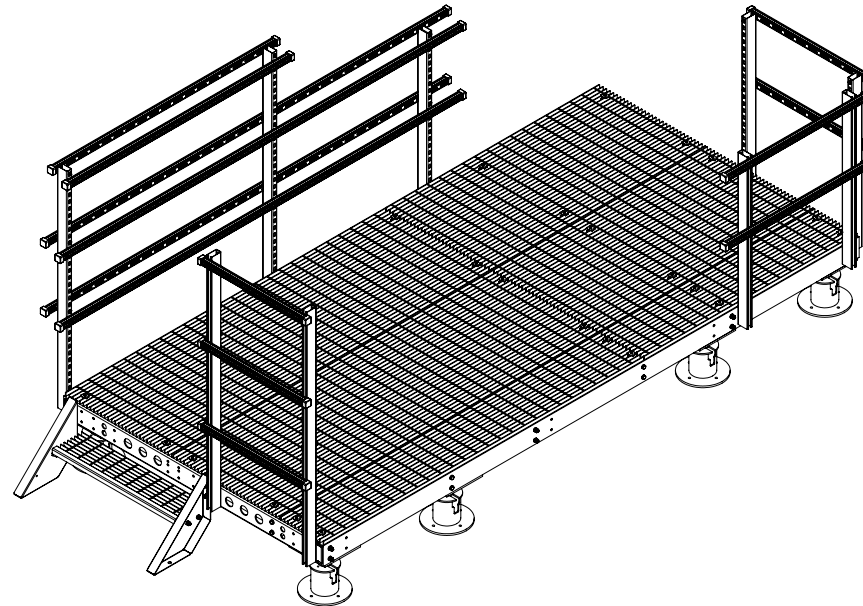
### Part Number

**AT&T- CEQ.53681**      **EMI- 1000-0020-0032** ↓

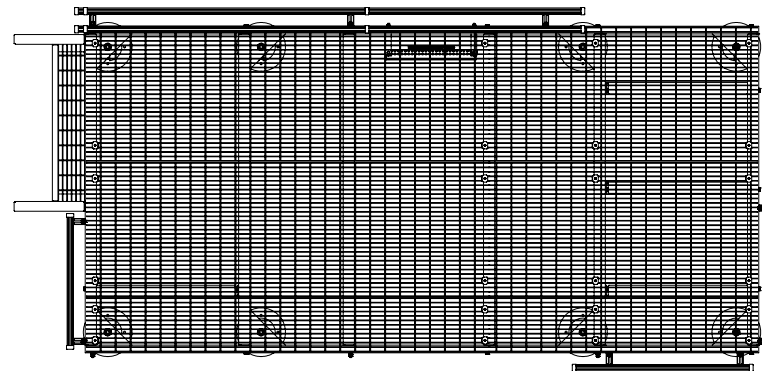
↓ [Click the EMI part number to download drawing.](#)

### Description

OD cabinet platform 30kW generator extension with two 12" extension wings set.



Optional wing kit shown on platform 1001-0020-0058 for illustrative purposes.



## 180" x 87 1/4" WUC/Combo Platform with Mesh Canopy & Optional Wing Kit for 30kW Genset

### Part Number

**AT&T-** CEQ.53661      **EMI-** [1000-0010-0131-FC](#) ↓

**AT&T-** CEQ.53673      **EMI-** [1000-0010-0131-SC](#) ↓

↓ [Click the EMI part number to download drawing.](#)

### Description

OD cabinet gravity platform 180" x 87 1/4" with expanded metal canopy (not solid). Includes 1-step entry stair, gravity mount feet and unistrut kit.

### Special Notes

FC - Factory Configured - pre-assembled unit  
 SC - Site Configured - on-site assembly

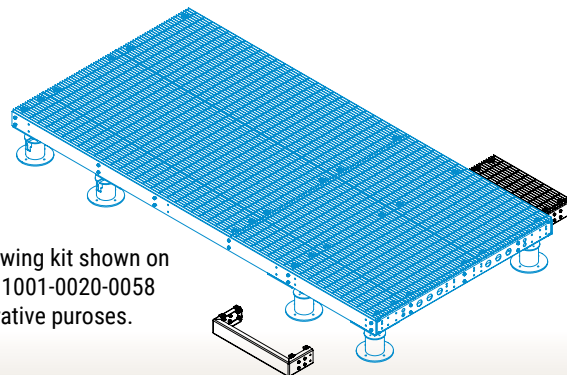
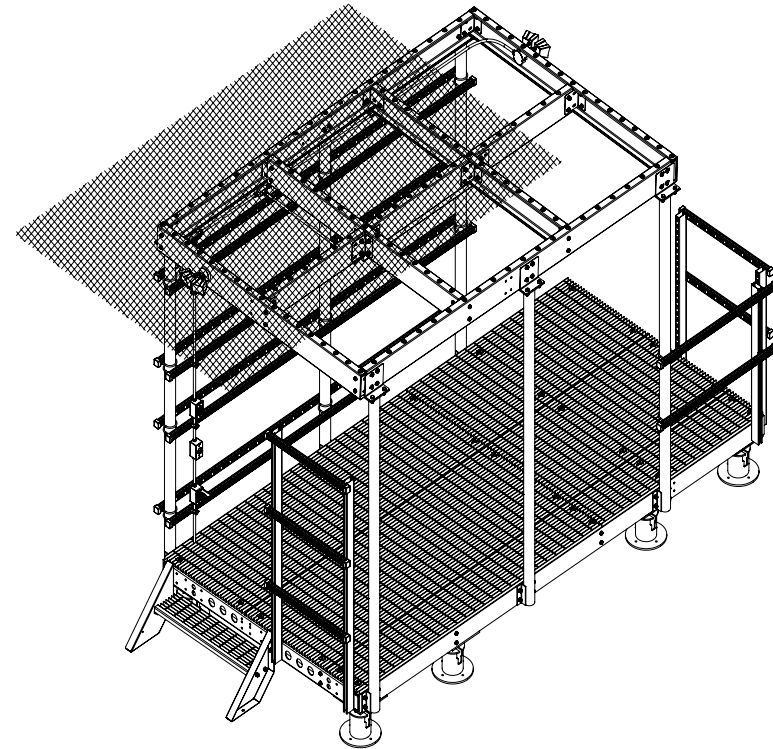
### Part Number

**AT&T-** CEQ.53681      **EMI-** [1000-0020-0032](#) ↓

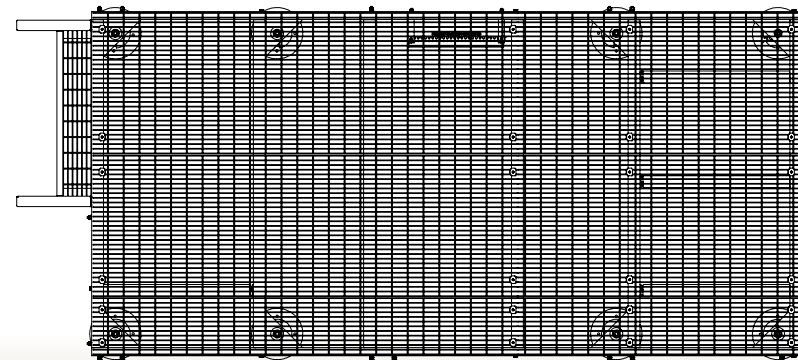
↓ [Click the EMI part number to download drawing.](#)

### Description

OD cabinet platform 30kW generator extension with two 12" extension wings set.



Optional wing kit shown on platform 1001-0020-0058 for illustrative purposes.

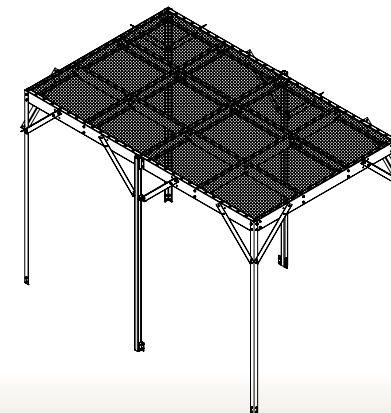
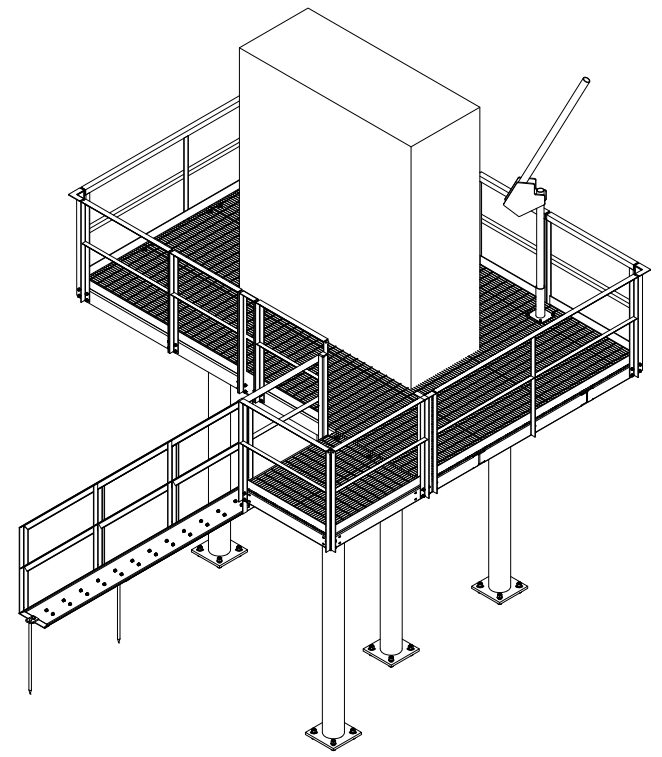
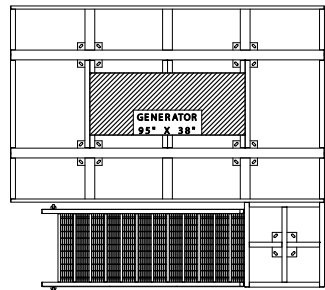
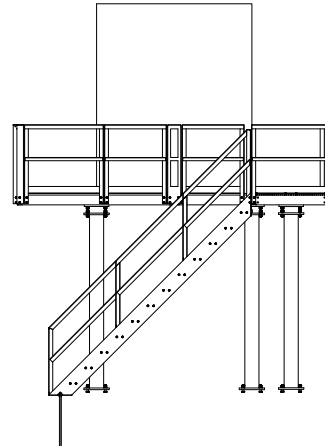


## 192" x 120" Generator up to 50 kW Elevated Platform with Stairs

AT&T- CEQ.65649	EMI- <a href="#">1000-0010-0567-04</a>	↓	4 ft
AT&T- CEQ.65663	EMI- <a href="#">1000-0010-0567-06</a>	↓	6 ft
AT&T- CEQ.65652	EMI- <a href="#">1000-0010-0567-08</a>	↓	8 ft
AT&T- CEQ.65657	EMI- <a href="#">1000-0010-0567-10</a>	↓	10 ft
AT&T- CEQ.65658	EMI- <a href="#">1000-0010-0567-12</a>	↓	12 ft
AT&T- CEQ.65651	EMI- <a href="#">1000-0010-0567-14</a>	↓	14 ft
AT&T- CEQ.65659	EMI- <a href="#">1000-0010-0567-16</a>	↓	16 ft
AT&T- CEQ.65665	EMI- <a href="#">1000-0010-0567-18</a>	↓	18 ft
AT&T- CEQ.65654	EMI- <a href="#">1000-0010-0567-20</a>	↓	20 ft

↓ Click the EMI part number to download drawing.

Generator up to 50 kW elevated platform kit, 192"x 120" up to 50KW Genset. Includes stairs and landings. Helical foundations not included.



## Options

### Crane

AT&T- CEQ.65650      EMI- [1000-0030-0251](#) ↓

Thern 500 lb. Ensign Series Davit crane, model 5PA5-M1 powder coated crane with hand winch (M4022PB-K) and 5bp5 pedestal base (powder coated)

### 5X Helical Kit

AT&T- CEQ.65667      EMI- [1000-0030-0253](#) ↓

Quantity of 5, 10" x 21' Triple Flight Helical Anchor Kit (*below 14'*)

### 6X Helical Kit

AT&T- CEQ.66043      EMI- [1000-0030-0263](#) ↓

Quantity of 6, 10" x 21' Triple Flight Helical Anchor Kit (*14' and above*)

### Ice Bridge Canopy

AT&T- CEQ.65862      EMI- [1001-0030-0105](#) ↓

192 x 120' Ice Bridge Canopy (expanded metal)

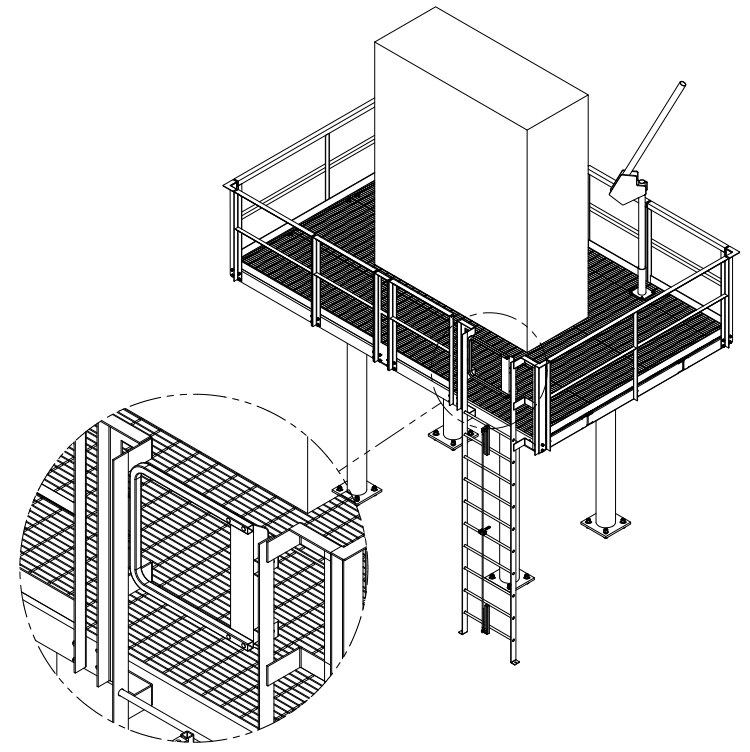
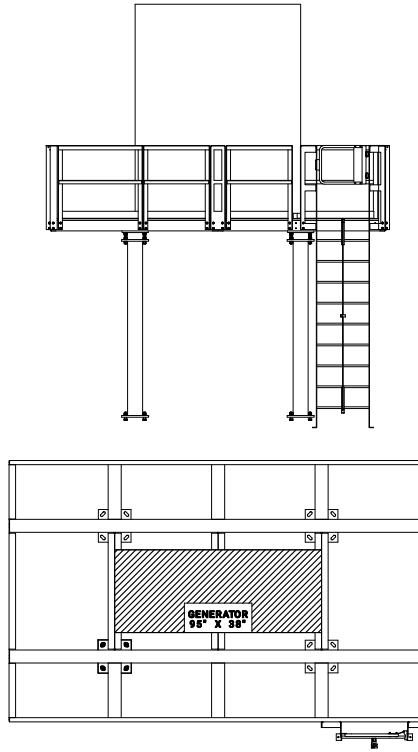


## 192" x 120" Generator up to 50 kW Elevated Platform w/ Ladder [Non-Standard Option] *Order only for real-estate constraint sites*

AT&T- CEQ.65656	EMI- <a href="#">1000-0010-0571-04</a>	↓	4 ft
AT&T- CEQ.65661	EMI- <a href="#">1000-0010-0571-06</a>	↓	6 ft
AT&T- CEQ.65653	EMI- <a href="#">1000-0010-0571-08</a>	↓	8 ft*
AT&T- CEQ.65660	EMI- <a href="#">1000-0010-0571-10</a>	↓	10 ft*
AT&T- CEQ.65662	EMI- <a href="#">1000-0010-0571-12</a>	↓	12 ft*
AT&T- CEQ.65655	EMI- <a href="#">1000-0010-0571-14</a>	↓	14 ft*
AT&T- CEQ.65648	EMI- <a href="#">1000-0010-0571-16</a>	↓	16 ft*
AT&T- CEQ.65647	EMI- <a href="#">1000-0010-0571-18</a>	↓	18 ft*
AT&T- CEQ.65664	EMI- <a href="#">1000-0010-0571-20</a>	↓	20 ft*

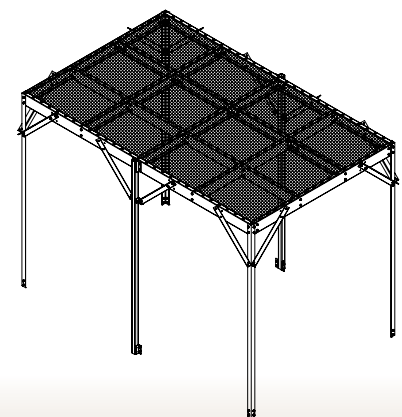
↓ Click the EMI part number to download drawing.

Generator up to 50 kW elevated platform kit, 192"x 120" up to 50KW Genset. Includes entry ladder (and safety climb arrest above 6 ft elevation). Helical foundations not included.  
\*Includes safety climb system.



### Options

<b>Crane</b>			
AT&T- CEQ.65650	EMI- <a href="#">1000-0030-0251</a>	↓	
Thern 500 lb. Ensign Series Davit crane, model 5PA5-M1 powder coated crane with hand winch (M4022PB-K) and 5bp5 pedestal base (powder coated)			
<b>4X Helical Kit</b>			
AT&T- CEQ.65668	EMI- <a href="#">1000-0030-0252</a>	↓	
Quantity of 4, 10" x 21' Triple Flight Helical Anchor Kit			
<b>Ice Bridge Canopy</b>			
AT&T- CEQ.65862	EMI- <a href="#">1001-0030-0105</a>	↓	
192 x 120' Ice Bridge Canopy (expanded metal)			



## 156" x 106" 50 kW Genset 3' elevated Gravity/Pad Mount Platform

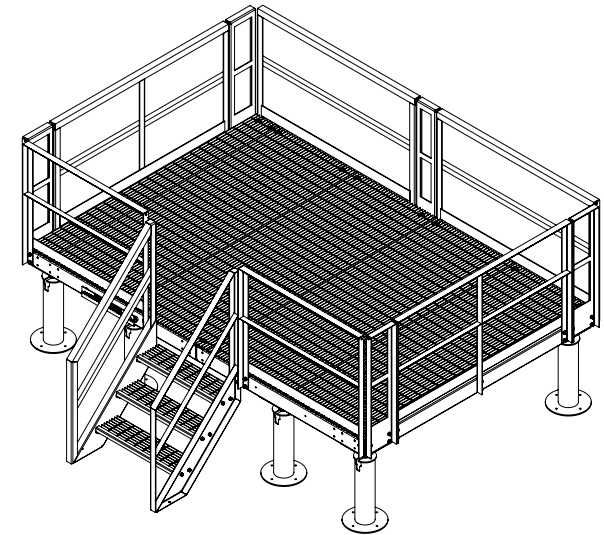
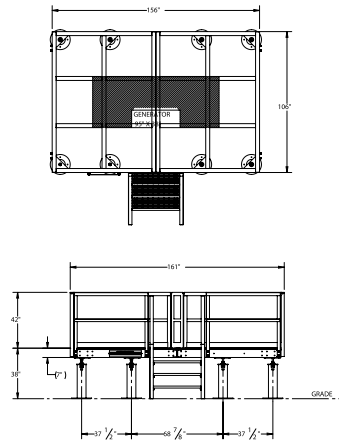
### Part Number

AT&T- CEQ.65867      EMI- [1000-0010-0596](#) ↓

↓ [Click the EMI part number to download drawing.](#)

### Description

Generator up to 50 kW gravity mount platform kit 156" x 106" with 1" steel grating, 8 - 26" elevated leveling feet, and safety railing.



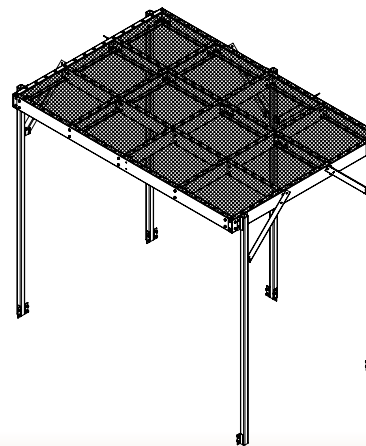
### Part Number

AT&T- CEQ.65876      EMI- [1001-0030-0107](#) ↓

↓ [Click the EMI part number to download drawing.](#)

### Description

150" x 106" Ice Bridge Canopy (expanded metal)



## 9' x 4' Pad Mount Generator Platform

This 9' x 4' platform is designed for all AT&T approved generators up to the Generac 30kW diesel. The generator should be installed in the center of the platform or in any orientation the will fit. Grounding locations are on all four sides to support any site layout. Platform includes a rodent guard for all generators that need it.

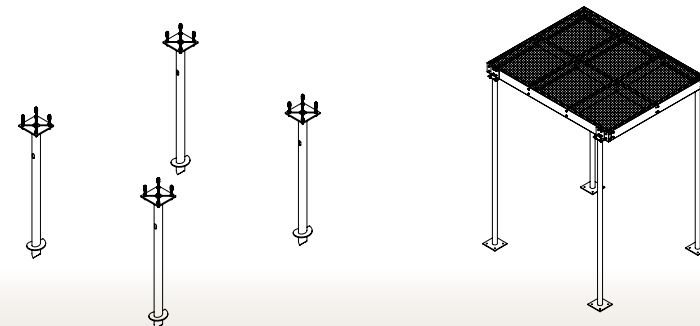
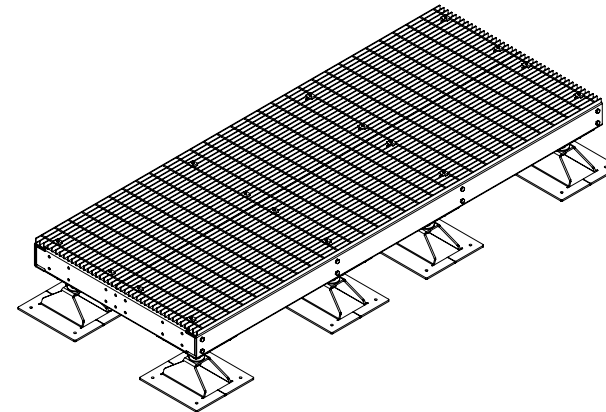
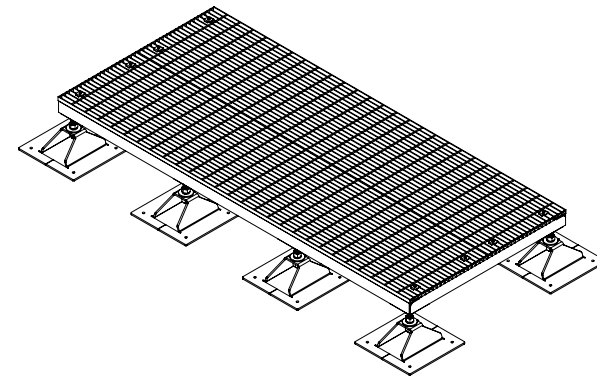
Part Number	
<a href="#">AT&amp;T- CEQ.53672</a>	<a href="#">EMI- 1001-0020-0062</a> ↓
↓ <a href="#">Click the EMI part number to download drawing.</a>	
Description	
Gravity mount generator platform with adjustable feet.	

## 10' x 4' Pad Mount Generator Platform

This 10' x 4' platform is designed for all AT&T approved generators up to 50kW. The generator should be installed in the center of the platform or in any orientation the will fit. Grounding locations are on all four sides to support any site layout. Platform includes a rodent guard for all generators that need it.

Part Number	
<a href="#">AT&amp;T- CEQ.65865</a>	<a href="#">EMI- 1001-0000-0073</a> ↓
Description	
Gravity mount generator platform with adjustable feet.	

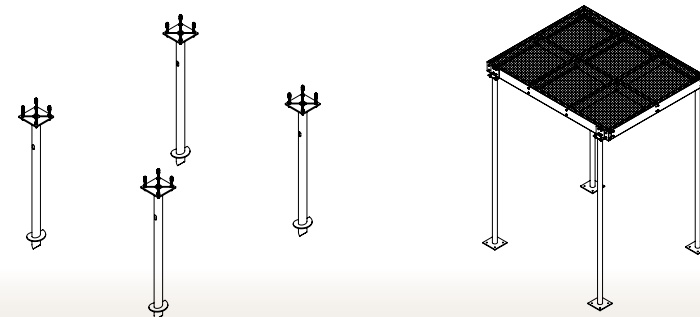
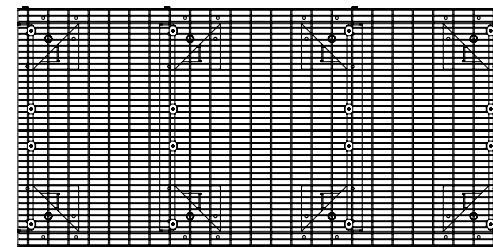
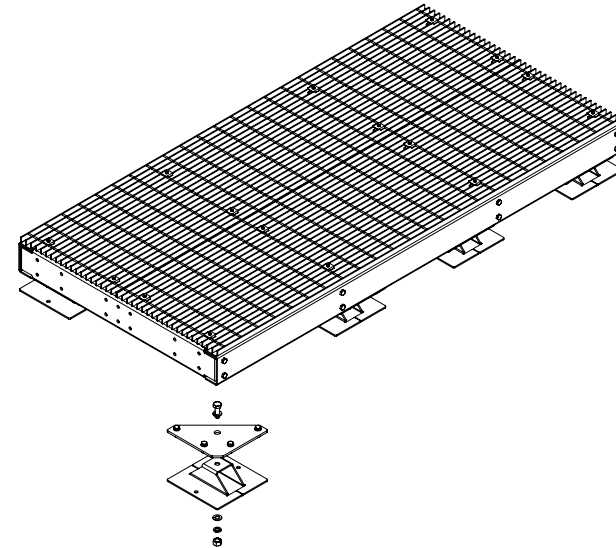
Part Number	
<a href="#">AT&amp;T- CEQ.65872</a>	<a href="#">EMI- 1001-0030-0106</a> ↓
Description	
120" x 96" Ice Bridge Canopy (expanded metal)	
Part Number	
<a href="#">AT&amp;T- CEQ.65869</a>	<a href="#">EMI- 1000-0030-0254</a> ↓
Description	
Quantity of 4, 4" x 7' Helical foundation Kit for canopy only	
Part Number	
<a href="#">AT&amp;T- CEQ.65871</a>	<a href="#">EMI- 1000-0000-0276</a> ↓
Description	
Kit containing 0106 Canopy and 0254 helicals	



## 8' x 4' Pad Mount Generator Platform

This 8' x 4' platform is designed for all AT&T approved natural gas and propane generators up to the 50kW. The generator should be installed in the center of the platform or in any orientation the will fit. Grounding locations are on all four sides to support any site layout. Platform includes a rodent guard for all generators that need it.

Part Number	
<a href="#">AT&amp;T- CEQ.67224</a>	<a href="#">EMI- 1000-0010-0628</a> ↓
↓ <a href="#">Click the EMI part number to download drawing.</a>	
Description	
Gravity mount generator platform with adjustable feet.	



Part Number	
<a href="#">AT&amp;T- CEQ.65872</a>	<a href="#">EMI- 1001-0030-0106</a> ↓
Description	
120" x 96" Ice Bridge Canopy (expanded metal)	
Part Number	
<a href="#">AT&amp;T- CEQ.65869</a>	<a href="#">EMI- 1000-0030-0254</a> ↓
Description	
Quantity of 4, 4" x 7' Helical foundation Kit for canopy only	
Part Number	
<a href="#">AT&amp;T- CEQ.65871</a>	<a href="#">EMI- 1000-0000-0276</a> ↓
Description	
Kit containing 0106 Canopy and 0254 helicals	

## 72" x 53" Helical Mount Generator Platform

One of these platforms will accommodate all generators up to 20kW. Grounding locations are on all sides to support any site layout. Platform includes a rodent guard for generators that need it.

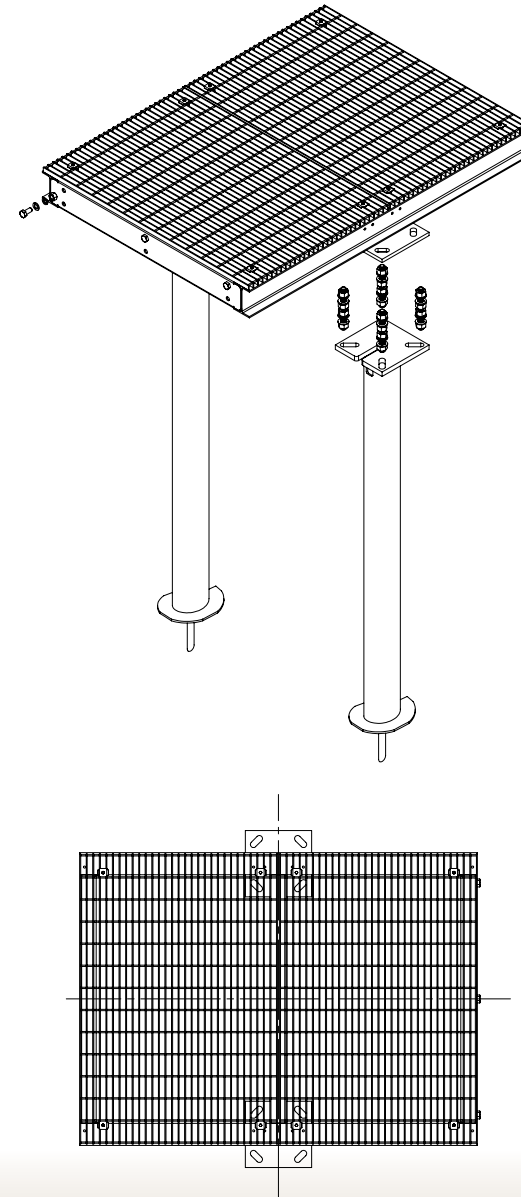
### Part Number

AT&T- CEQ.53665      EMI- [1000-0010-0109](#) ↓

↓ [Click the EMI part number to download drawing.](#)

### Description

Generator platform kit 72" x 53" with 6" dia. x 7' high helical foundations and leveling hardware.



## 144" x 53" Helical Mount Generator Platform

Two of these platforms bolted together will accommodate generators up to 30kW. Grounding locations are on three sides to support any site layout. Platform includes rodent guard for generators that need it. All hardware provided.

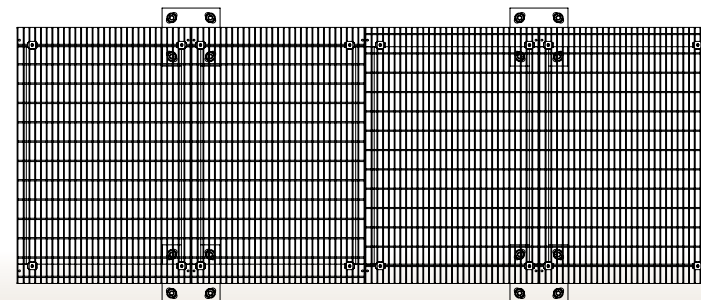
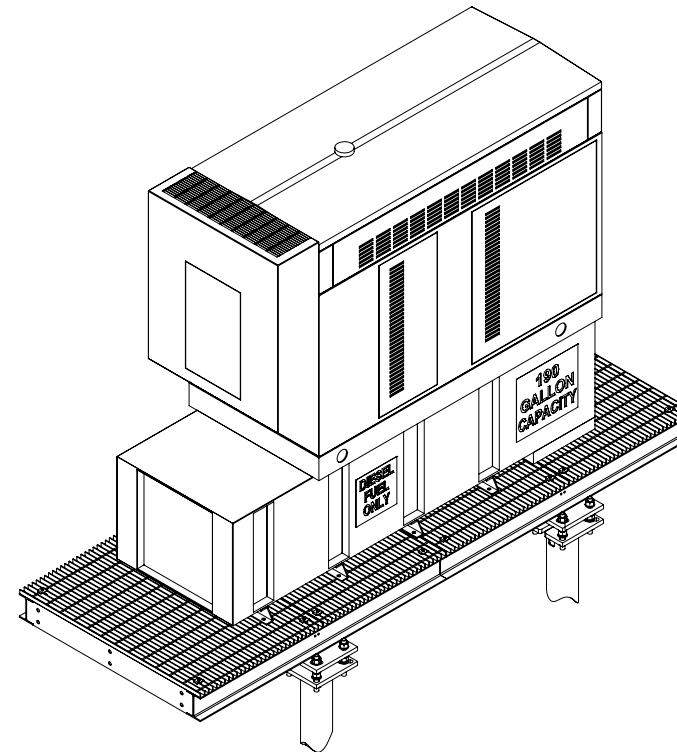
### Part Number

AT&T- CEQ.53665 X2     EMI- [1000-0010-0109](#) X2 ↓

↓ [Click the EMI part number to download drawing.](#)

### Description

Generator platform kit 144" x 53" with 6" dia. x 7' high helical foundations and leveling hardware.



## 53" x 36" Vertical Generator Pad Mount Plinth

### Part Number

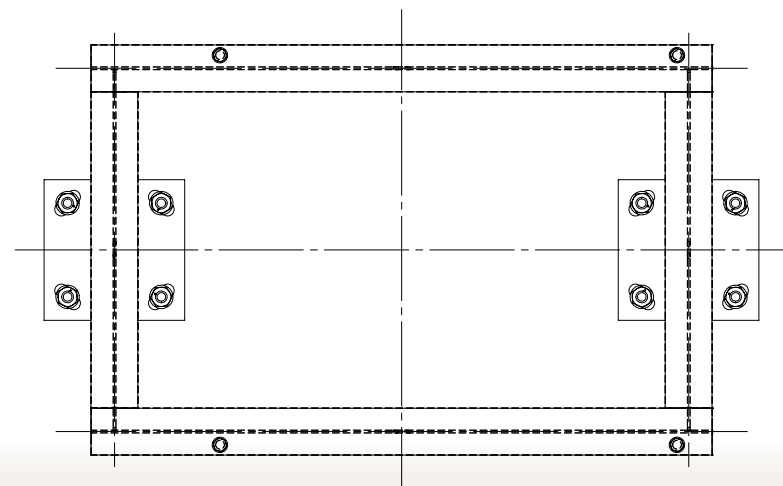
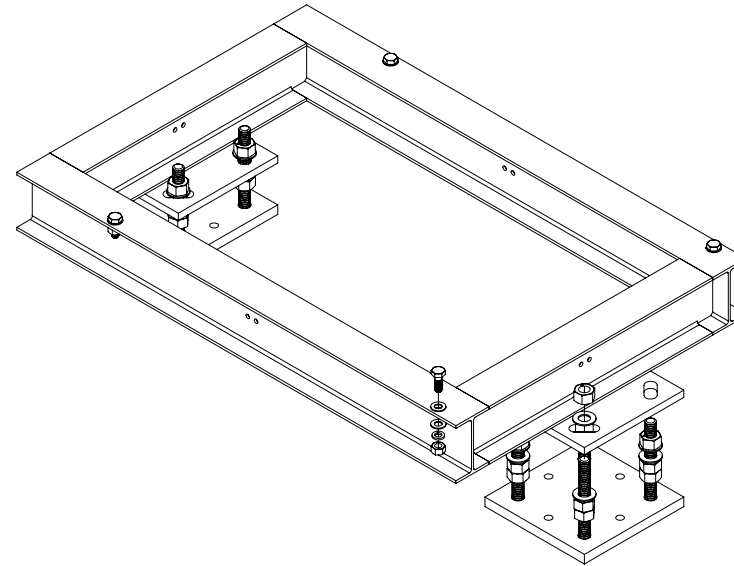
AT&T- CEQ.53678

EMI- [1000-0000-0115](#) ↓

↓ [Click the EMI part number to download drawing.](#)

### Description

Vertical generator plinth for concrete mount 53" x 36" with anchor base plates and leveling hardware.



## 228" x 43 3/8" Generator Plinth Kit

### Part Number

**AT&T-** NEQ.20738      **EMI-** W-000-954 ↓

↓ [Click the EMI part number to download drawing.](#)

### Description

Generator rail plinth kit 228" x 43 3/8" platform. Includes genset clamp kit, grating and ground bar kit.

### Part Number

**AT&T-** CEQ.54367      **EMI-** 1000-0020-0034 ↓

↓ [Click the EMI part number to download drawing.](#)

### Description

6" dia. x 7' high helical foundation (4 unit kit) with quad mount leveling hardware.

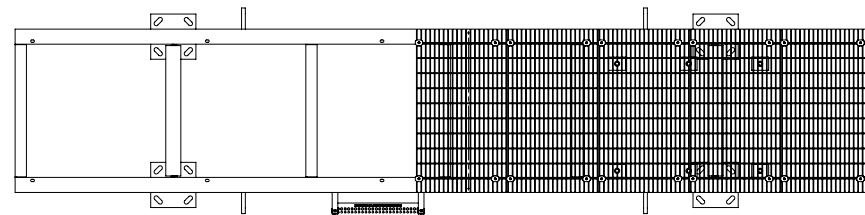
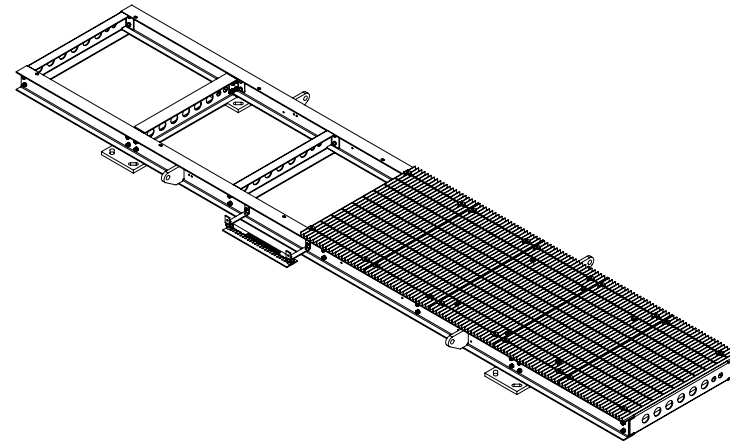
### Part Number

**AT&T-** CEQ.67217      **EMI-** 1000-0010-0593 ↓

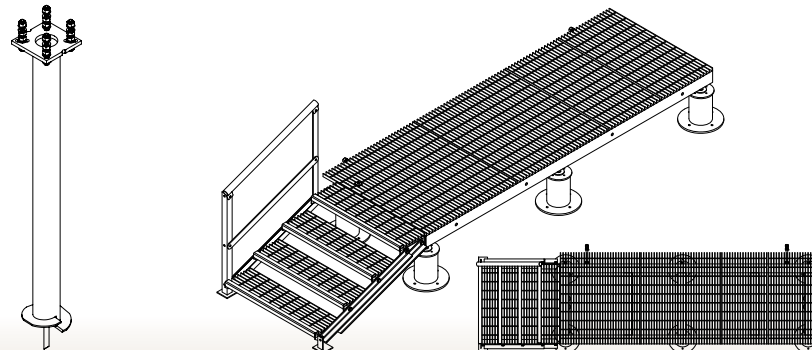
↓ [Click the EMI part number to download drawing.](#)

### Description

Optional elevation adjustable walkway with stair. 18"-30" height range.



**Install platform at grade level when helical foundations are used.**



## 6" Diameter x 7' Quad Mount Helical Foundation Kit

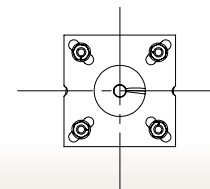
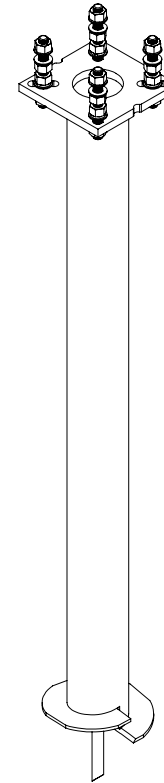
### Part Number

AT&T- CEQ.54367      EMI- [1000-0020-0034](#) ↓

↓ [Click the EMI part number to download drawing.](#)

### Description

6" dia. x 7' high helical foundation (4 unit kit) with quad mount leveling hardware.



## 10" Diameter 10' Single Stud Helical Foundation Kit

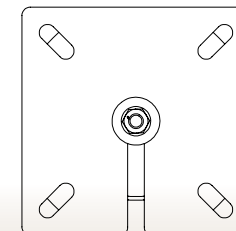
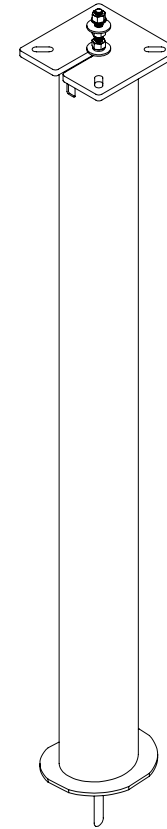
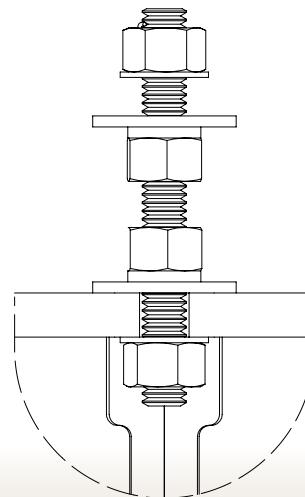
### Part Number

AT&T- CEQ.53658      EMI- [1008-0050-0011](#) ↓

↓ [Click the EMI part number to download drawing.](#)

### Description

10" dia. x 10' high helical foundation (4 unit kit), single stud leveling.



## 10" Diameter 21' Triple Flight Helical Foundation Kit

### Part Number

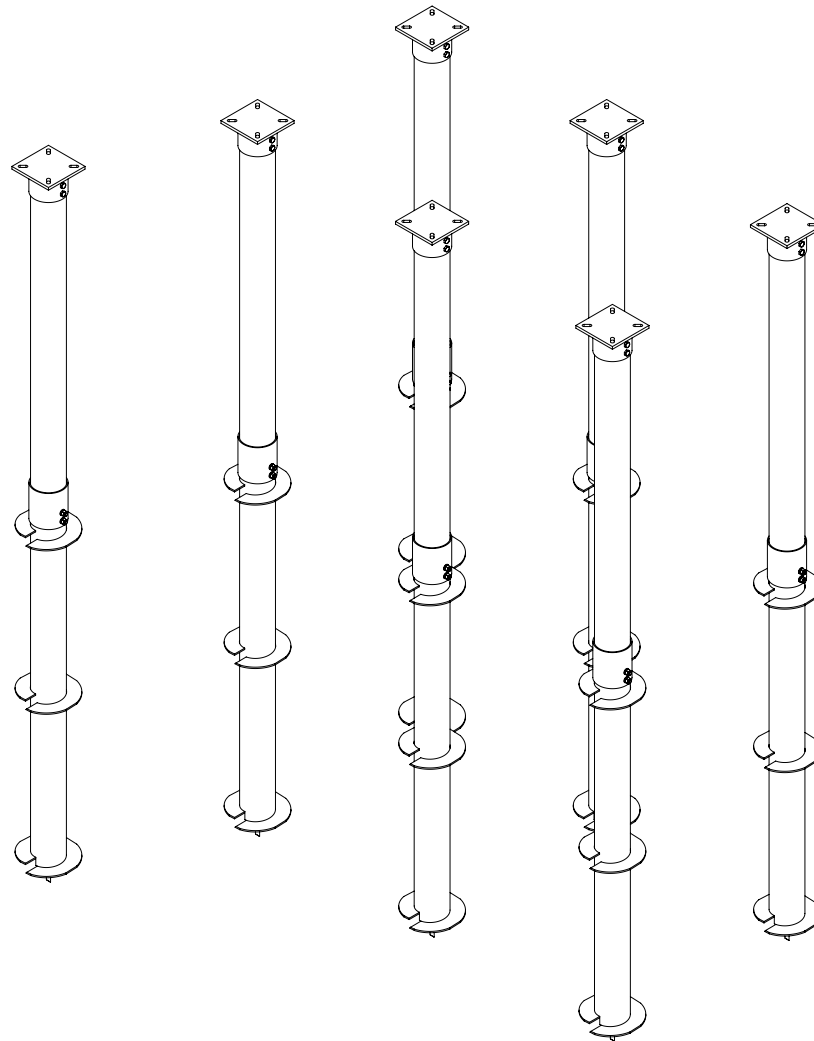
AT&T- CEQ.59815

EMI- [1000-0030-0243](#) ↓

↓ [Click the EMI part number to download drawing.](#)

### Description

10" dia. x 11' high foundation with 10' extension (7 unit kit), quad mount leveling.



## 6" Diameter Pad Mount Extension Single Stud Mount [4 Pk]

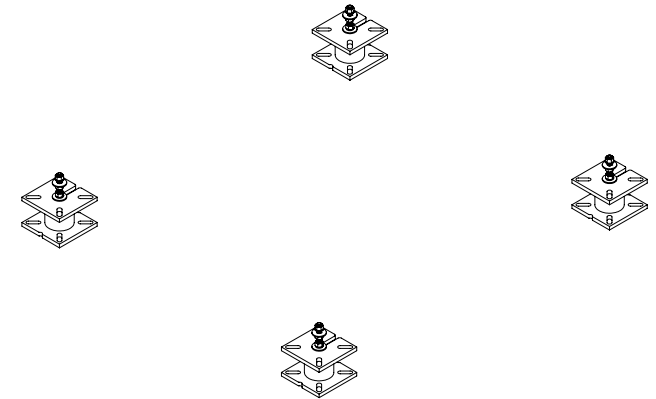
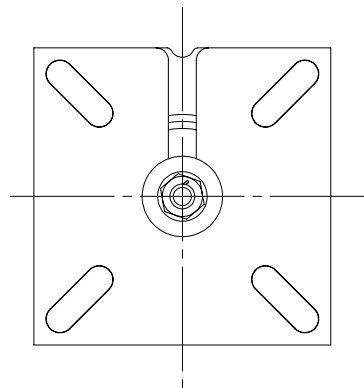
### Part Number

AT&T- CEQ.53682      EMI- 1008-0030-0005 ↓

↓ Click the EMI part number to download drawing.

### Description

6" dia. x 8" high concrete pad mount extension (4 unit kit), with single stud mount leveling hardware.



## 6" Diameter Pad Mount Extension Quad Mount

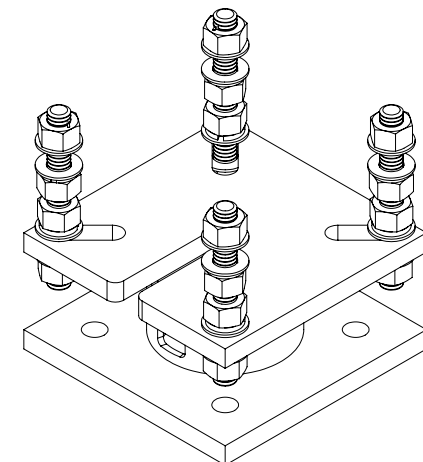
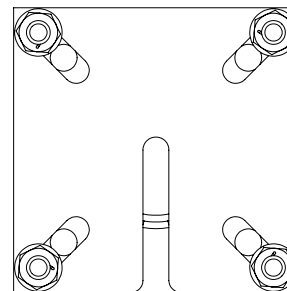
### Part Number

AT&T- CEQ.\*\*\*\*\*      EMI- 1000-0030-0047 ↓

↓ Click the EMI part number to download drawing.

### Description

6" dia. x 6" high concrete pad mount extension with quad mount leveling hardware.



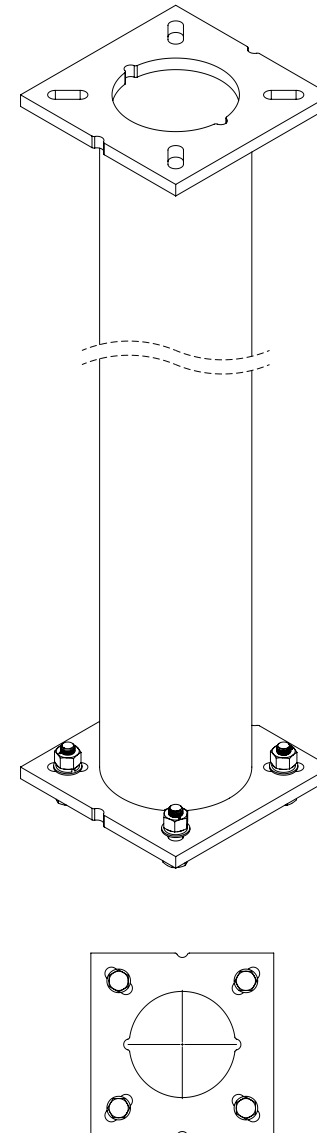
## 10" Diameter Foundation Extensions

Part Number	Elevation
<a href="#">AT&amp;T- CEQ.57167</a> <a href="#">EMI- 1007-T010-0600</a> ↓	5 ft
<a href="#">AT&amp;T- CEQ.57164</a> <a href="#">EMI- 1007-T010-1200</a> ↓	10 ft

↓ [Click the EMI part number to download drawing.](#)

Description
5 & 10 ft. extensions for outdoor elevated WIC-WUC

Special Notes
The linked table drawing <a href="#">1007-T010-0000</a> contains all extension part numbers by elevation.



## Single Step Stair Kit

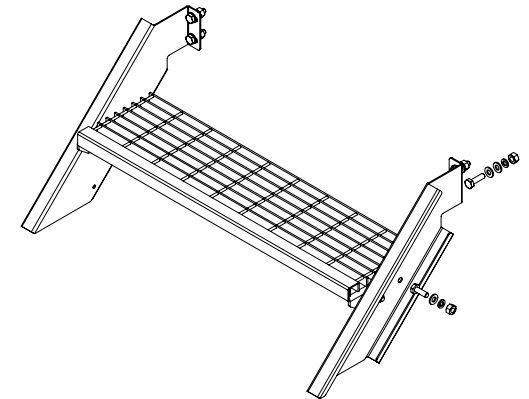
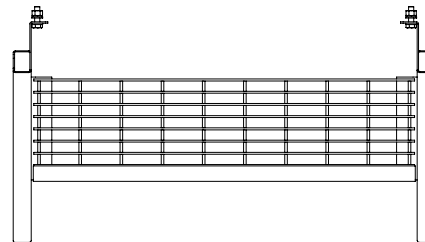
### Part Number

AT&T- CEQ.51644      EMI- [1003-0000-0020](#) ↓

↓ [Click the EMI part number to download drawing.](#)

### Description

WUC single step stair kit 45 degree including hardware.



## WIC & Genset Platform Fully Grated Conversion Kit

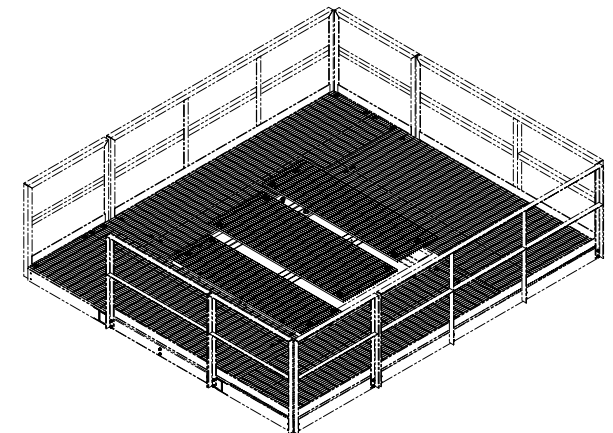
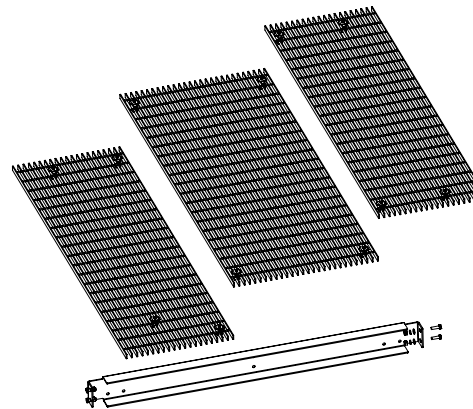
### Part Number

AT&T- CEQ.53677      EMI- [1000-0010-0160](#) ↓

↓ [Click the EMI part number to download drawing.](#)

### Description

Conversion kit to modify 80" x 80" genset platform to fully grated for WUC or cabinet installation.



## Canopy for WIC-WUC Outdoor Platform - 0146 & 0557

### Part Number

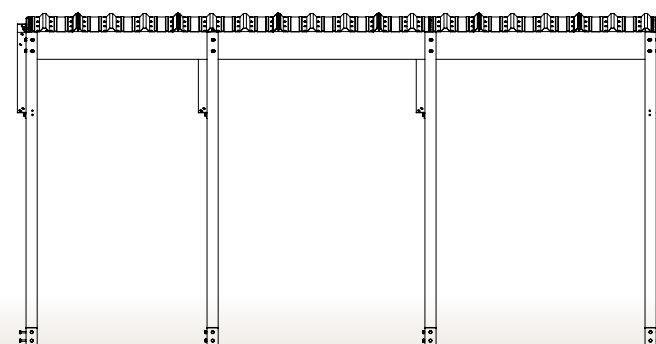
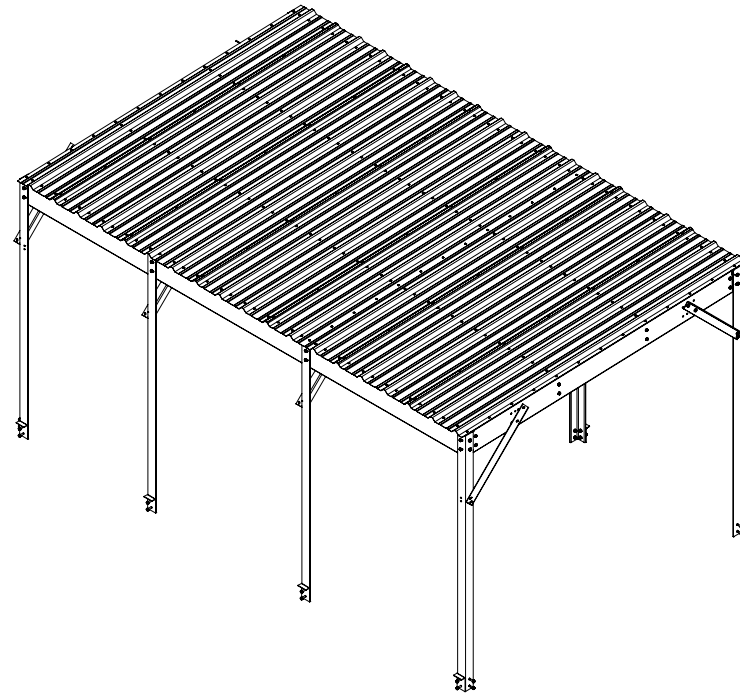
AT&T- CEQ.57485

EMI- [1001-0030-0036](#) ↓

↓ [Click the EMI part number to download drawing.](#)

### Description

184" x 117" bolt together canopy for WIC and WUC outdoor platform series 1000-0010-0146.



## 114" X 144" Pad Mount Canopy

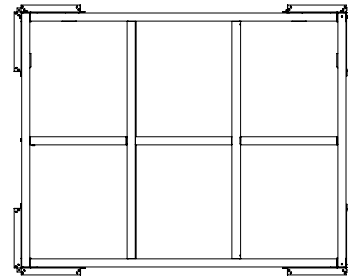
### Part Number

AT&T- CEQ.59292      EMI- [1001-0030-0075](#) ↓

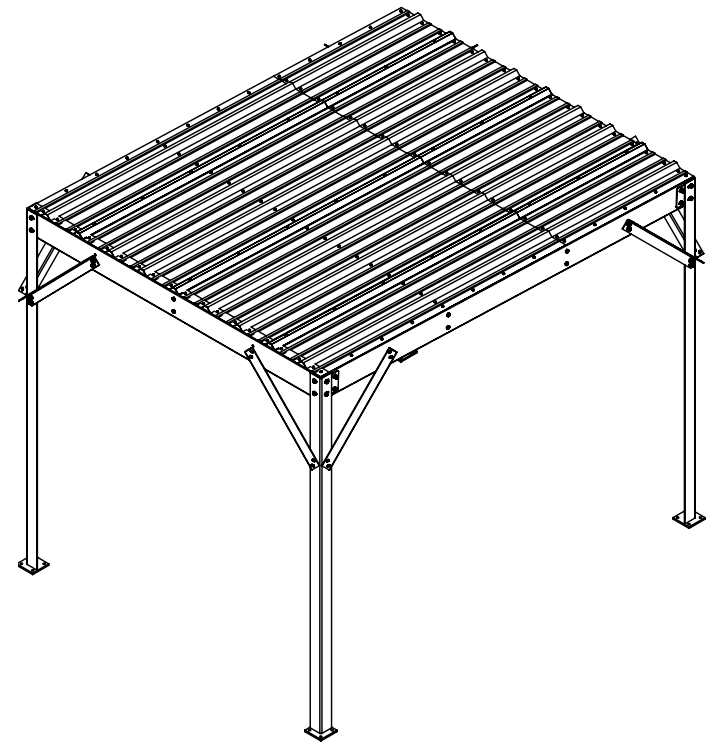
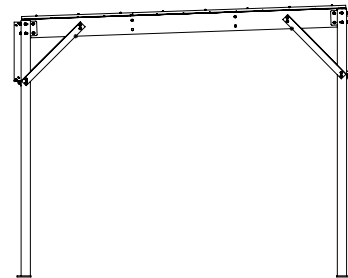
↓ [Click the EMI part number to download drawing.](#)

### Description

114" x 144" Concrete mounted canopy kit.



FRAME ONLY



## 302" X 130" Pad Mount Solar Canopy Frame for WIC and Generator

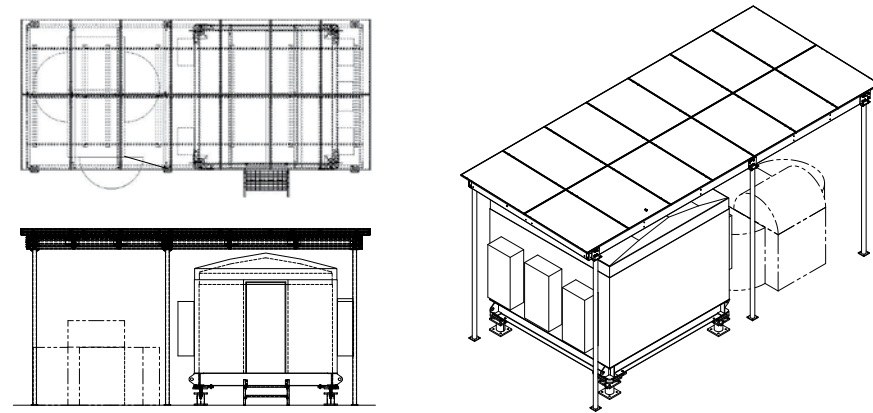
### Part Number

**AT&T-** CEQ.59800      **EMI-** [1001-0030-0097](#) ↓

↓ [Click the EMI part number to download drawing.](#)

### Description

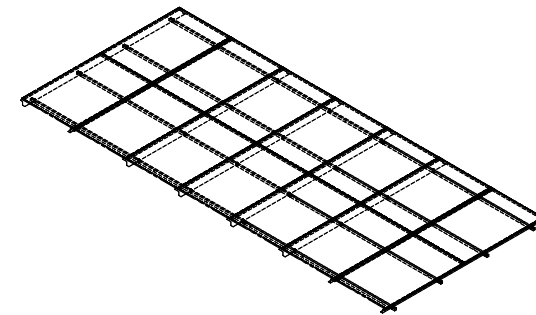
302" x 130" Concrete mounted canopy frame kit for use with solar panel mounting kits below.



## Solar Panel Mount Kit for 1001-0030-0097

Panel Model	Part Number	MAX QTY
MITREX M405-LH3 / M405-I3H	<b>AT&amp;T-</b> CEQ.60944 <b>EMI-</b> <a href="#">1000-0030-0241</a> ↓	14

↓ [Click the EMI part number to download drawing.](#)



## WIC Concrete Mount

### Part Number

**AT&T-** CEQ.53655      **EMI-** [1007-0000-0012](#) ↓

↓ [Click the EMI part number to download drawing.](#)

### Description

WIC pad mount corner kit, 17" mounting feet, 2-step stair with leveling hardware.

