



# AT&T Generator Platform Ordering Guide



**1-800-453-0050**

[www.emiproducts.com](http://www.emiproducts.com)

11230 Neeshaw Drive, Houston, Texas 77065



## Overview:

All generator platform solutions are designed to accommodate all generators up to 50KW. These platforms can handle sizes up to 95"X38"X101" and an operating weight of 6,500 lbs.

The platforms arrive from the factory ready to assemble, making installation a breeze. With gravity feet that can be placed on-grade without any anchoring, the installation time and material costs are significantly reduced. Generator placement at any site can be completed within a couple of hours using this platform solution.

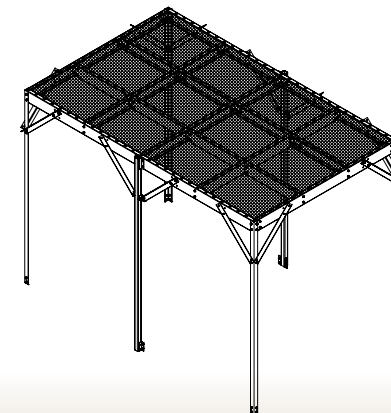
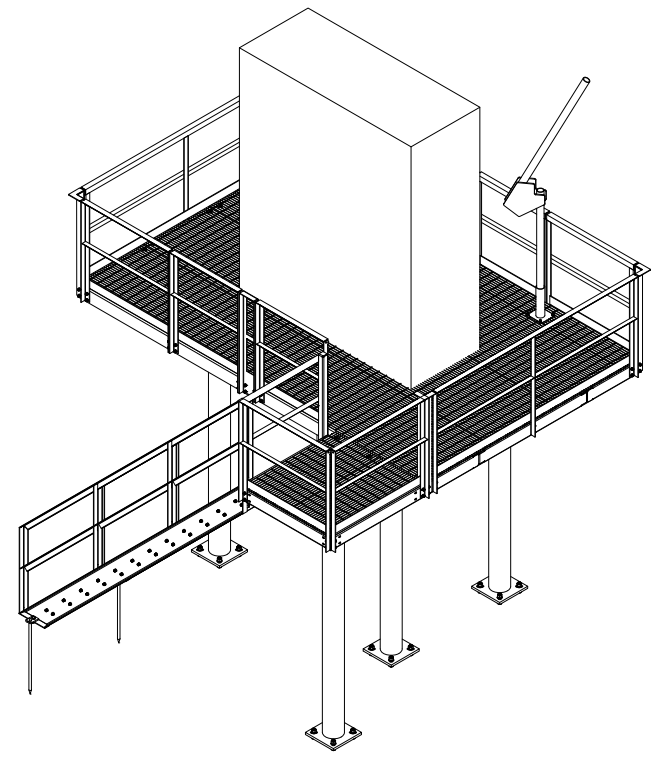
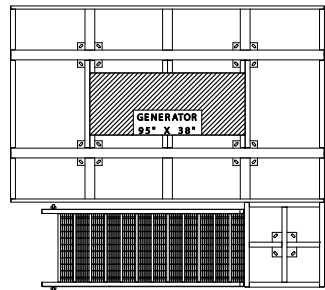
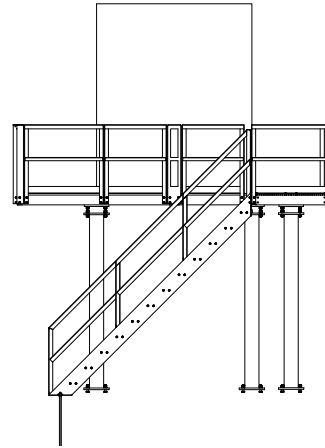
There are two elevated Platform models available: 0567 and 0571. Both models offer elevations ranging from 4' to 20' in 2' increments. For access options, we provide standard and preferred stairs with landings or a gated safety ladder for locations with real estate constraints. Additionally, the optional THERN 500 lb. crane makes refueling and other service functions much easier.

## 192" x 120" Generator up to 50 kW Elevated Platform with Stairs

AT&T- CEQ.65649	EMI- <a href="#">1000-0010-0567-04</a>	↓	4 ft
AT&T- CEQ.65663	EMI- <a href="#">1000-0010-0567-06</a>	↓	6 ft
AT&T- CEQ.65652	EMI- <a href="#">1000-0010-0567-08</a>	↓	8 ft
AT&T- CEQ.65657	EMI- <a href="#">1000-0010-0567-10</a>	↓	10 ft
AT&T- CEQ.65658	EMI- <a href="#">1000-0010-0567-12</a>	↓	12 ft
AT&T- CEQ.65651	EMI- <a href="#">1000-0010-0567-14</a>	↓	14 ft
AT&T- CEQ.65659	EMI- <a href="#">1000-0010-0567-16</a>	↓	16 ft
AT&T- CEQ.65665	EMI- <a href="#">1000-0010-0567-18</a>	↓	18 ft
AT&T- CEQ.65654	EMI- <a href="#">1000-0010-0567-20</a>	↓	20 ft

↓ Click the EMI part number to download drawing.

Generator up to 50 kW elevated platform kit, 192"x 120" up to 50KW Genset. Includes stairs and landings. Helical foundations not included.



## Options

### Crane

AT&T- CEQ.65650      EMI- [1000-0030-0251](#) ↓

Thern 500 lb. Ensign Series Davit crane, model 5PA5-M1 powder coated crane with hand winch (M4022PB-K) and 5bp5 pedestal base (powder coated)

### 5X Helical Kit

AT&T- CEQ.65667      EMI- [1000-0030-0253](#) ↓

Quantity of 5, 10" x 21' Triple Flight Helical Anchor Kit (*below 14'*)

### 6X Helical Kit

AT&T- CEQ.66043      EMI- [1000-0030-0263](#) ↓

Quantity of 6, 10" x 21' Triple Flight Helical Anchor Kit (*14' and above*)

### Ice Bridge Canopy

AT&T- CEQ.65862      EMI- [1001-0030-0105](#) ↓

192 x 120' Ice Bridge Canopy (expanded metal)



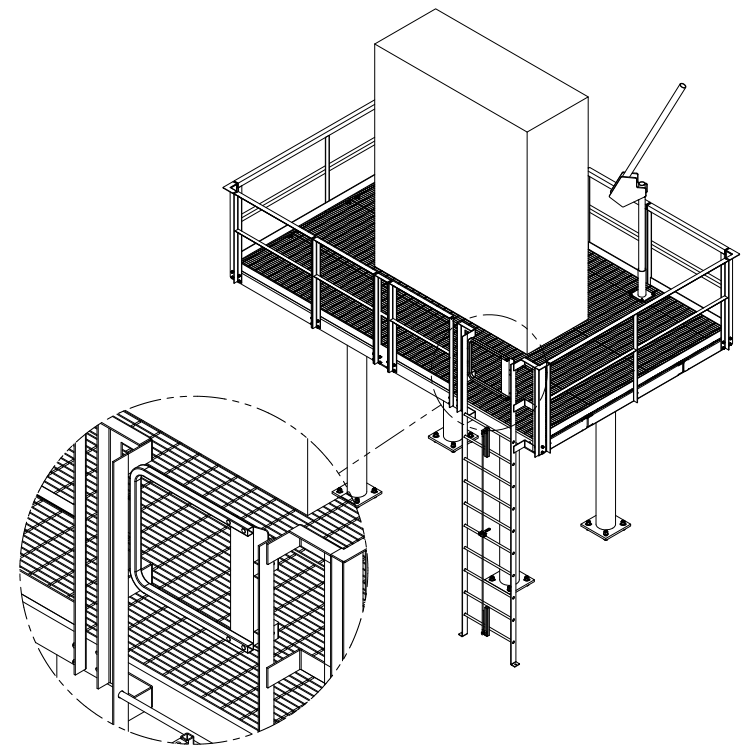
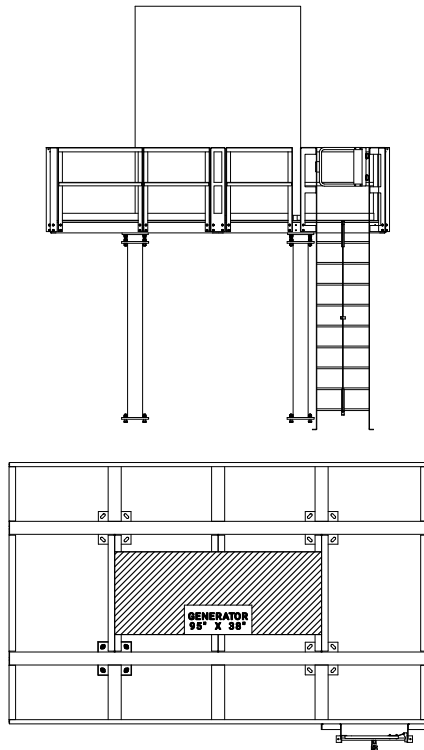
## 192" x 120" Generator up to 50 kW Elevated Platform w/ Ladder [Non-Standard Option] *Order only for real-estate constraint sites*

AT&T- CEQ.65656	EMI- <a href="#">1000-0010-0571-04</a>	↓	4 ft
AT&T- CEQ.65661	EMI- <a href="#">1000-0010-0571-06</a>	↓	6 ft
AT&T- CEQ.65653	EMI- <a href="#">1000-0010-0571-08</a>	↓	8 ft*
AT&T- CEQ.65660	EMI- <a href="#">1000-0010-0571-10</a>	↓	10 ft*
AT&T- CEQ.65662	EMI- <a href="#">1000-0010-0571-12</a>	↓	12 ft*
AT&T- CEQ.65655	EMI- <a href="#">1000-0010-0571-14</a>	↓	14 ft*
AT&T- CEQ.65648	EMI- <a href="#">1000-0010-0571-16</a>	↓	16 ft*
AT&T- CEQ.65647	EMI- <a href="#">1000-0010-0571-18</a>	↓	18 ft*
AT&T- CEQ.65664	EMI- <a href="#">1000-0010-0571-20</a>	↓	20 ft*

↓ Click the EMI part number to download drawing.

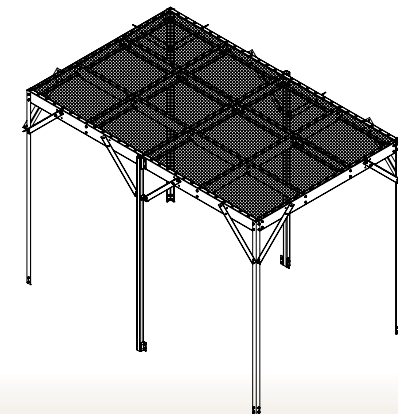
Generator up to 50 kW elevated platform kit, 192"x 120" up to 50KW Genset. Includes entry ladder (and safety climb arrest above 6 ft elevation). Helical foundations not included.

\*Includes safety climb system.



### Options

<b>Crane</b>			
AT&T- CEQ.65650	EMI- <a href="#">1000-0030-0251</a>	↓	
Thern 500 lb. Ensign Series Davit crane, model 5PA5-M1 powder coated crane with hand winch (M4022PB-K) and 5bp5 pedestal base (powder coated)			
<b>4X Helical Kit</b>			
AT&T- CEQ.65668	EMI- <a href="#">1000-0030-0252</a>	↓	
Quantity of 4, 10" x 21' Triple Flight Helical Anchor Kit			
<b>Ice Bridge Canopy</b>			
AT&T- CEQ.65862	EMI- <a href="#">1001-0030-0105</a>	↓	
192 x 120' Ice Bridge Canopy (expanded metal)			



## 102" x 75" Generator up to 50 kW Gravity/Pad Mount Platform

### Part Number

**AT&T-** CEQ.54437      **EMI-** [1010-0010-0118](#) ↓

↓ [Click the EMI part number to download drawing.](#)

### Description

Generator up to 50 kW gravity mount platform assembly 102" x 75" with steel grating and leveling feet.

### Single Step Kit Sold Separately

### Part Number

**AT&T-** CEQ.51644      **EMI-** [1003-0000-0020](#) ↓

↓ [Click the EMI part number to download drawing.](#)

### Description

Single step stair kit 45 degree including hardware.

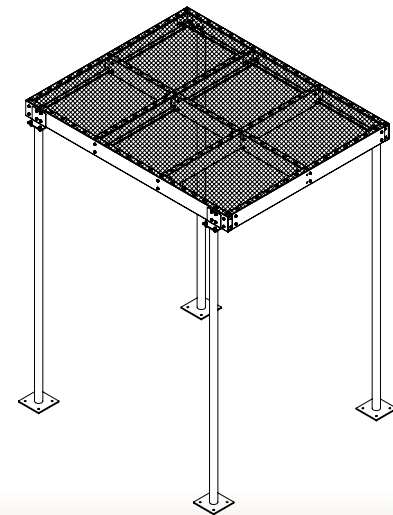
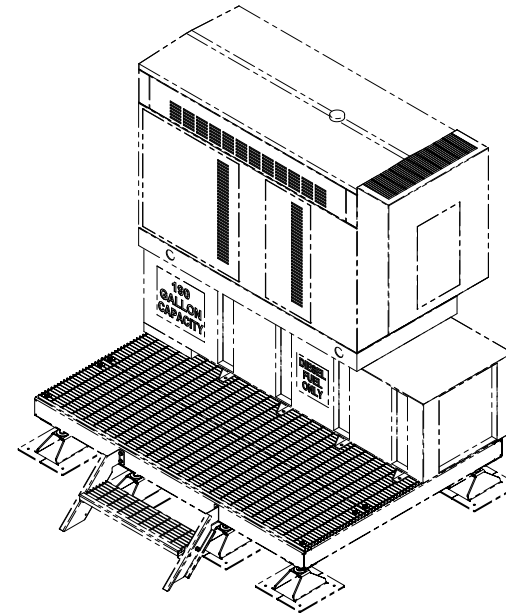
### Part Number

**AT&T-** CEQ.65872      **EMI-** [1001-0030-0106](#) ↓

↓ [Click the EMI part number to download drawing.](#)

### Description

120" x 96" Ice Bridge Canopy (expanded metal)  
*†concrete pad installation only*



## 156" x 106" 50 kW Genset Gravity/Pad Mount Platform

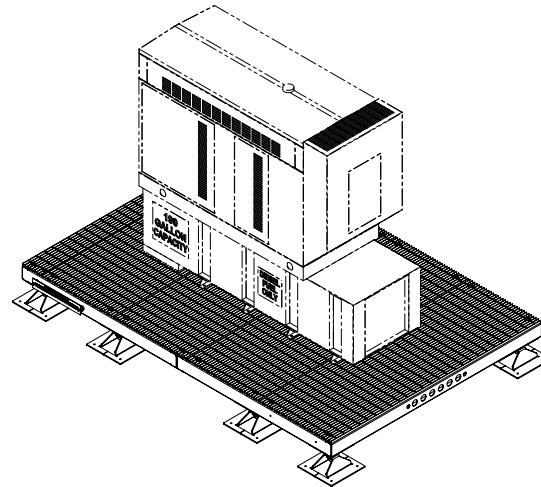
### Part Number

AT&T- CEQ.48196      EMI- [1010-0010-0171](#) ↓

↓ Click the EMI part number to download drawing.

### Description

Generator up to 50 kW gravity mount platform kit 156" x 106" with 1" steel grating and 8 leveling feet grade level.



## 156" x 106" 50 kW Genset Helical Mount Platform

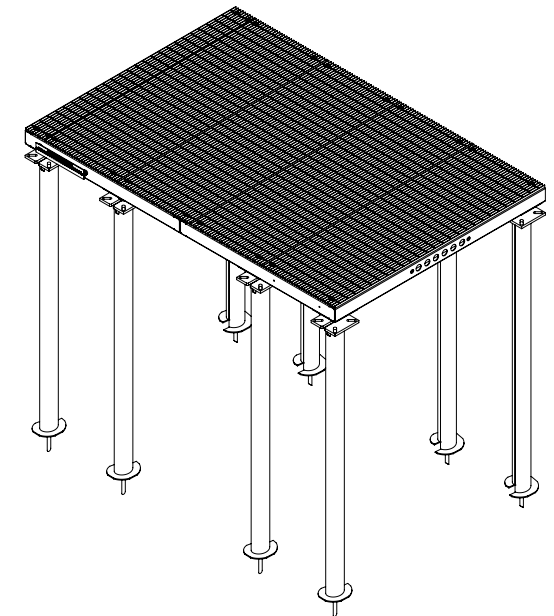
### Part Number

AT&T- CEQ.65863      EMI- [1000-0010-0597](#) ↓

↓ Click the EMI part number to download drawing.

### Description

Generator up to 50 kW gravity mount platform kit 156" x 106" with 1" steel grating and 8 Qty 6" x 10' helical foundations and leveling hardware.



## Single Step Kit Sold Separately

### Part Number

AT&T- CEQ.51644      EMI- [1003-0000-0020](#) ↓

↓ Click the EMI part number to download drawing.

### Description

Single step stair kit 45 degree including hardware.

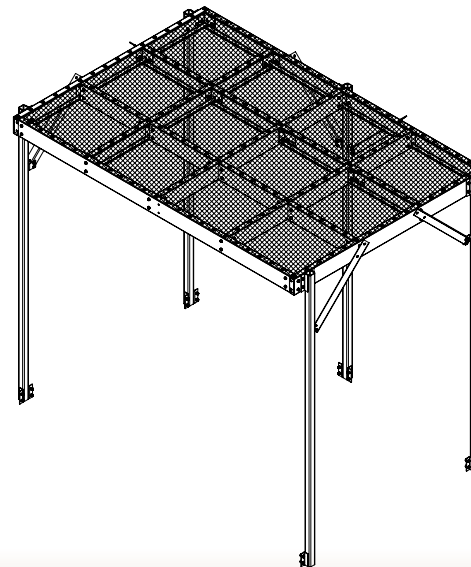
### Part Number

AT&T- CEQ.65876      EMI- [1001-0030-0107](#) ↓

↓ Click the EMI part number to download drawing.

### Description

150" x 106" Ice Bridge Canopy (expanded metal)



## 156" x 106" 50 kW Genset 3' elevated Gravity/Pad Mount Platform

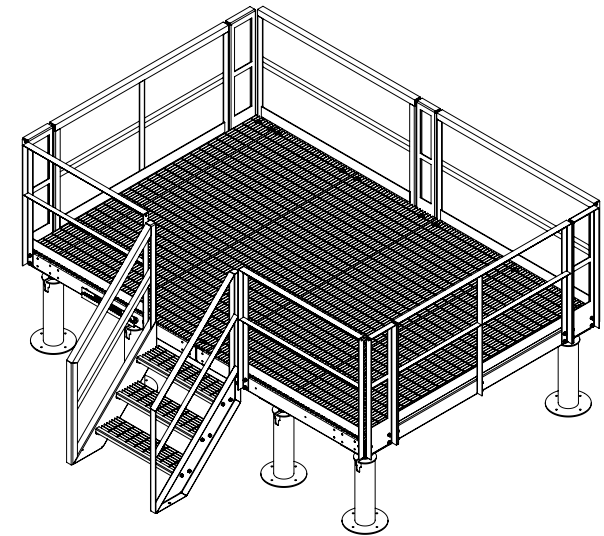
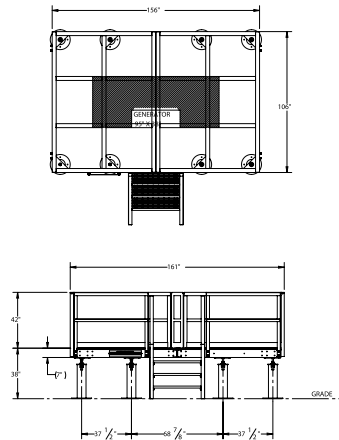
### Part Number

AT&T- CEQ.65867      EMI- [1000-0010-0596](#) ↓

↓ Click the EMI part number to download drawing.

### Description

Generator up to 50 kW gravity mount platform kit 156" x 106" with 1" steel grating, 8 - 26" elevated leveling feet, and safety railing.



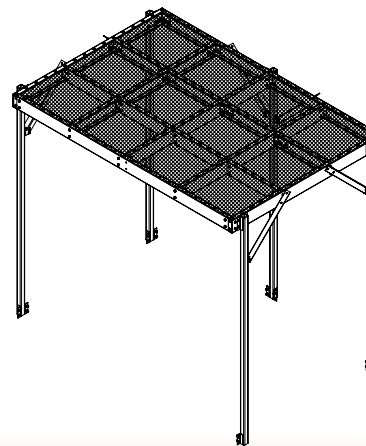
### Part Number

AT&T- CEQ.65876      EMI- [1001-0030-0107](#) ↓

↓ Click the EMI part number to download drawing.

### Description

150" x 106" Ice Bridge Canopy (expanded metal)



## 9' x 4' Pad Mount Generator Platform

This 9' x 4' platform is designed for all AT&T approved generators up to the Generac 30kW diesel. The generator should be installed in the center of the platform or in any orientation the will fit. Grounding locations are on all four sides to support any site layout. Platform includes a rodent guard for all generators that need it.

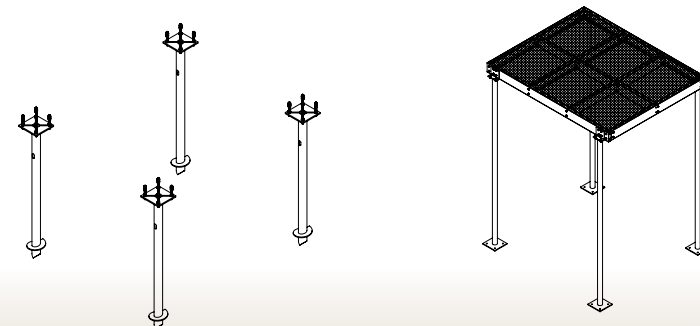
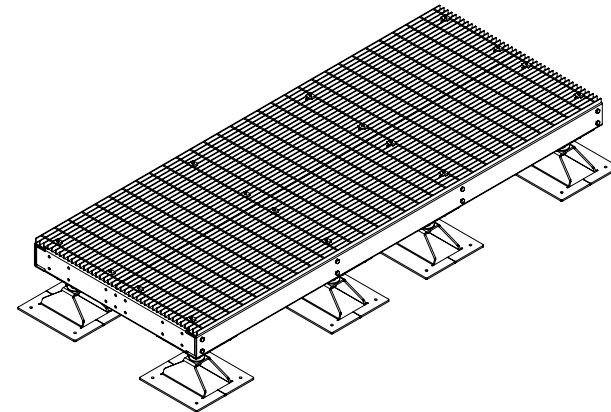
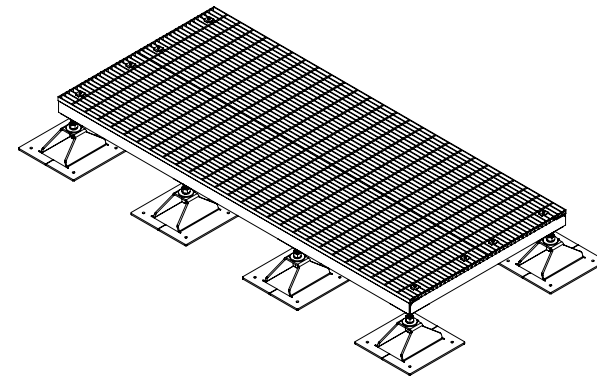
Part Number	
<a href="#">AT&amp;T- CEQ.53672</a>	<a href="#">EMI- 1001-0020-0062</a> ↓
↓ <a href="#">Click the EMI part number to download drawing.</a>	
Description	
Gravity mount generator platform with adjustable feet.	

## 10' x 4' Pad Mount Generator Platform

This 10' x 4' platform is designed for all AT&T approved generators up to 50kW. The generator should be installed in the center of the platform or in any orientation the will fit. Grounding locations are on all four sides to support any site layout. Platform includes a rodent guard for all generators that need it.

Part Number	
<a href="#">AT&amp;T- CEQ.65865</a>	<a href="#">EMI- 1001-0000-0073</a> ↓
Description	
Gravity mount generator platform with adjustable feet.	

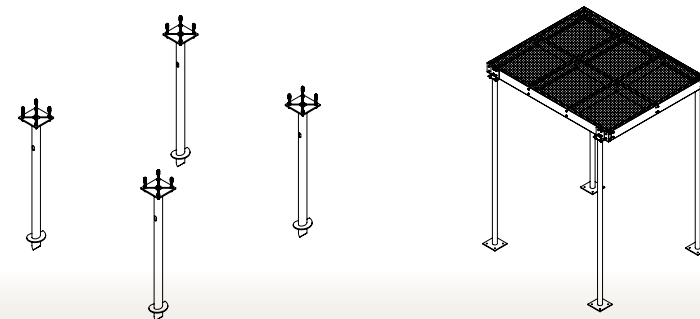
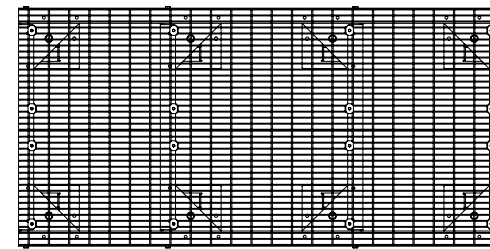
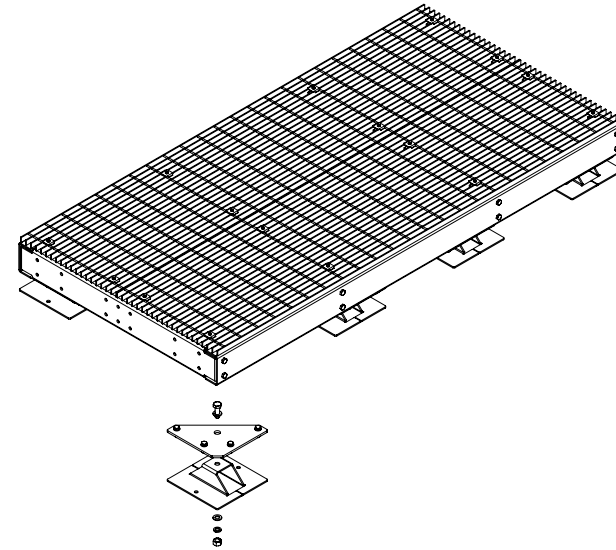
Part Number	
<a href="#">AT&amp;T- CEQ.65872</a>	<a href="#">EMI- 1001-0030-0106</a> ↓
Description	
120" x 96" Ice Bridge Canopy (expanded metal)	
Part Number	
<a href="#">AT&amp;T- CEQ.65869</a>	<a href="#">EMI- 1000-0030-0254</a> ↓
Description	
Quantity of 4, 4" x 7' Helical foundation Kit for canopy only	
Part Number	
<a href="#">AT&amp;T- CEQ.65871</a>	<a href="#">EMI- 1000-0000-0276</a> ↓
Description	
Kit containing 0106 Canopy and 0254 helicals	



## 8' x 4' Pad Mount Generator Platform

This 8' x 4' platform is designed for all AT&T approved natural gas and propane generators up to the 50kW. The generator should be installed in the center of the platform or in any orientation the will fit. Grounding locations are on all four sides to support any site layout. Platform includes a rodent guard for all generators that need it.

Part Number
<a href="#">AT&amp;T- CEQ.67224</a> <a href="#">EMI- 1000-0010-0628</a> ↓ ↓ <a href="#">Click the EMI part number to download drawing.</a>
Description
Gravity mount generator platform with adjustable feet.



Part Number
<a href="#">AT&amp;T- CEQ.65872</a> <a href="#">EMI- 1001-0030-0106</a> ↓
Description
120" x 96" Ice Bridge Canopy (expanded metal)
Part Number
<a href="#">AT&amp;T- CEQ.65869</a> <a href="#">EMI- 1000-0030-0254</a> ↓
Description
Quantity of 4, 4" x 7' Helical foundation Kit for canopy only
Part Number
<a href="#">AT&amp;T- CEQ.65871</a> <a href="#">EMI- 1000-0000-0276</a> ↓
Description
Kit containing 0106 Canopy and 0254 helicals

## 53" x 35" Vertical Polar Generator Helical Mount Plinth

This two helical generator platform utilizes the same helices used on the WIC. Grounding locations are on four sides to accommodate any site layout. It is specifically designed for the vertical Polar generator.

### Part Number

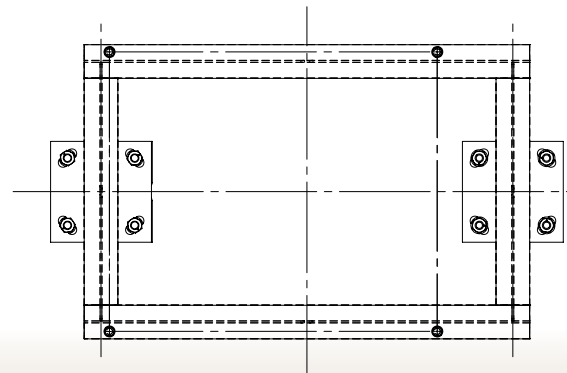
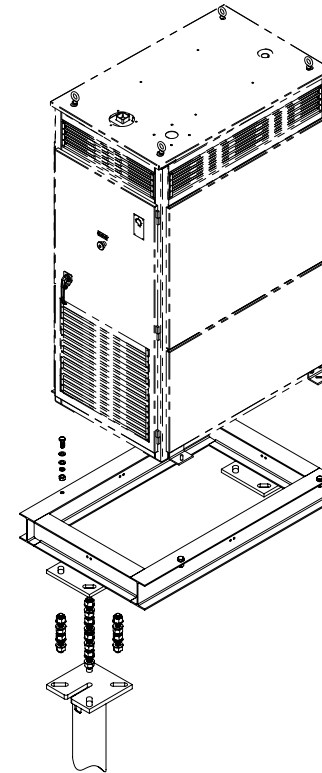
AT&T- CEQ.53652

EMI- [1000-0010-0075](#) ↓

↓ [Click the EMI part number to download drawing.](#)

### Description

Vertical Polar generator plinth 53" x 35" kit with 6" dia. x 7' high helical foundations and leveling hardware.



## 72" x 53" Helical Mount Generator Platform

One of these platforms will accommodate all generators up to 20kW. Grounding locations are on all sides to support any site layout. Platform includes a rodent guard for generators that need it.

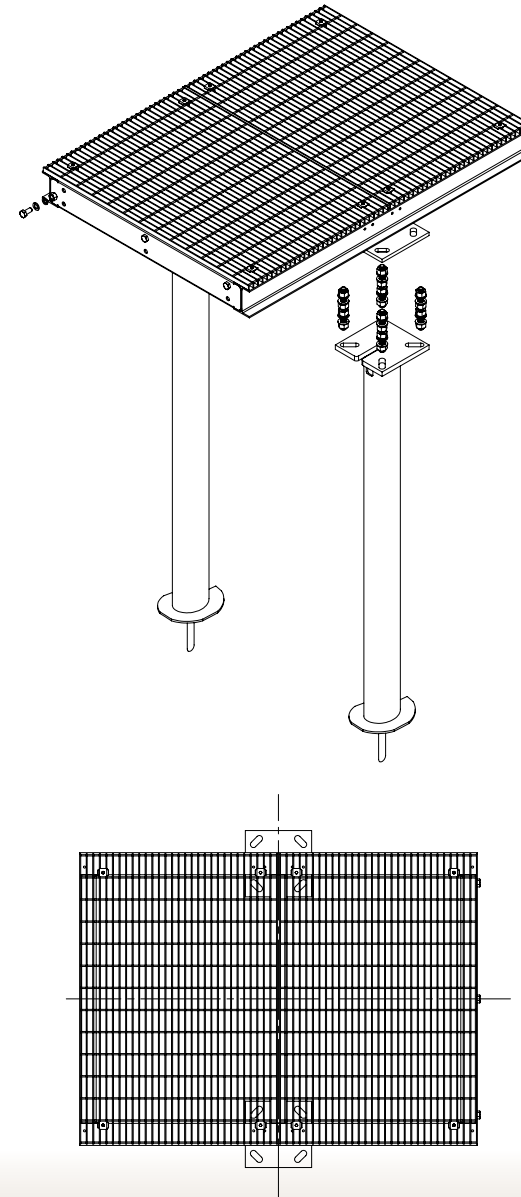
### Part Number

AT&T- CEQ.53665      EMI- [1000-0010-0109](#) ↓

↓ [Click the EMI part number to download drawing.](#)

### Description

Generator platform kit 72" x 53" with 6" dia. x 7' high helical foundations and leveling hardware.



## 144" x 53" Helical Mount Generator Platform

Two of these platforms bolted together will accommodate generators up to 30kW. Grounding locations are on three sides to support any site layout. Platform includes rodent guard for generators that need it. All hardware provided.

### Part Number

AT&T- CEQ.53665 X2     EMI- [1000-0010-0109](#) X2 ↓

↓ [Click the EMI part number to download drawing.](#)

### Description

Generator platform kit 144" x 53" with 6" dia. x 7' high helical foundations and leveling hardware.

