



AT&T WIC Ordering Guide



1-800-453-0050

www.emiprducts.com

11230 Neeshaw Drive, Houston, Texas 77065

AT&T WIC [WALK IN CABINET]

AT&T Standards determine the selection of foundation type.

1. Helical - 92% locations nationwide (standard option).
2. Concrete Pier/Gravity Mount - Rocky terrain/mountain top locations (where helical is not an option due to ground conditions).
3. Concrete Pad - Existing pad (no new pouring). Space available on the existing pad due to decommission of legacy enclosures, relocation.



80" x 80" WIC Gravity/Pad Mount

Part Number

AT&T- CEQ.53686 **EMI-** [1000-0000-0103](#) ↓
↓ [Click the EMI part number to download drawing.](#)

Description

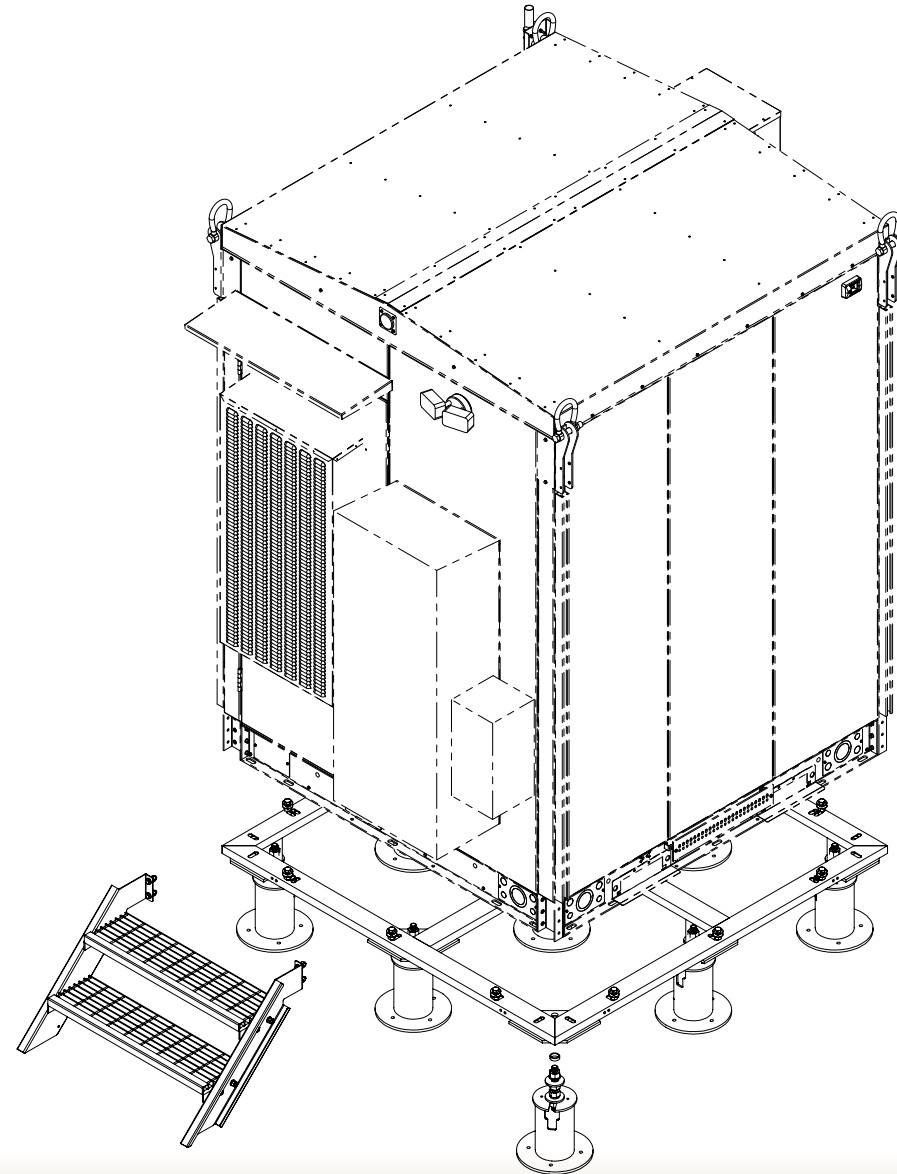
80" x 80" WIC gravity/pad mount platform kit, 2-step stair with leveling hardware.

Part Number

AT&T- CEQ.46388 **EMI-** [1000-0000-0162](#) ↓
↓ [Click the EMI part number to download drawing.](#)

Description

10' x 10' WIC gravity/pad mount platform kit, 2-step stair with leveling hardware.



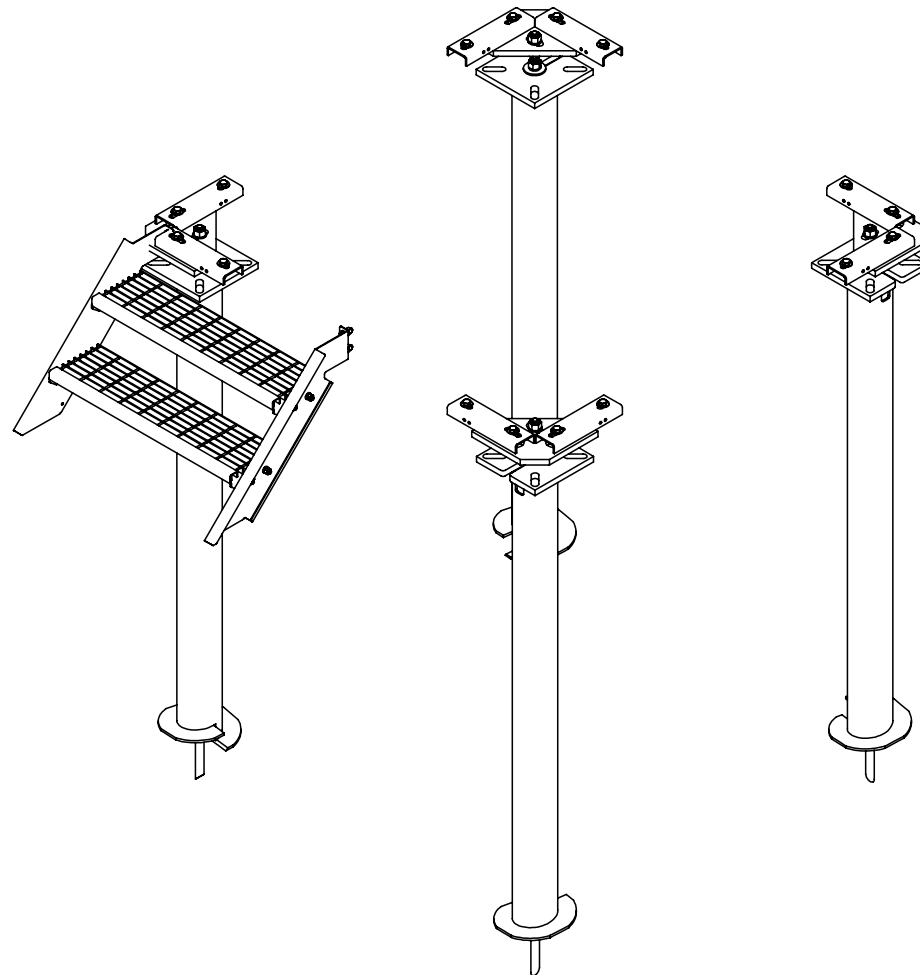
WIC Helical Mount

Part Number

AT&T- CEQ.53680 EMI- [1000-0000-0101](#) ↓
↓ [Click the EMI part number to download drawing.](#)

Description

WIC corner mount helical kit, 2-step stair with leveling hardware.



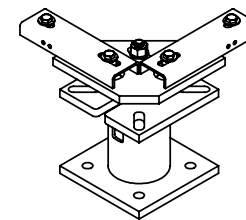
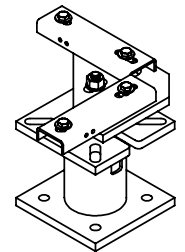
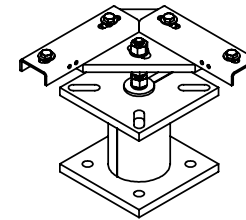
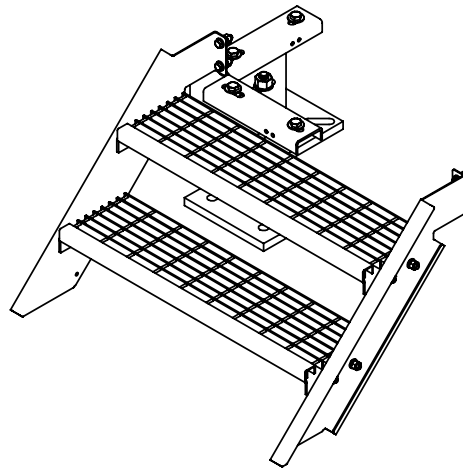
WIC Concrete Mount

Part Number

AT&T- CEQ.53655 EMI- [1007-0000-0012](#) ↓
↓ [Click the EMI part number to download drawing.](#)

Description

WIC pad mount corner kit, 17" mounting feet, 2-step stair with leveling hardware.



WUC/Combo Elevated Platform Required Conversion Kit & Optional Canopy [0146]

Part Number	Elevation
AT&T- CEQ.53671 EMI- 1000-0010-0146-04 ↓	4 ft
AT&T- CEQ.53666 EMI- 1000-0010-0146-06 ↓	6 ft
AT&T- CEQ.53656 EMI- 1000-0010-0146-08 ↓	8 ft
AT&T- CEQ.53659 EMI- 1000-0010-0146-10 ↓	10 ft
AT&T- CEQ.53664 EMI- 1000-0010-0146-12 ↓	12 ft
AT&T- CEQ.57514 EMI- 1000-0010-0146-14 ↓	14 ft
AT&T- CEQ.57484 EMI- 1000-0010-0146-16 ↓	16 ft
AT&T- CEQ.57525 EMI- 1000-0010-0146-18 ↓	18 ft
AT&T- CEQ.57510 EMI- 1000-0010-0146-20 ↓	20 ft

↓ Click the EMI part number to download drawing.

Description
 Elevated WUC-genset combo platform kit, 230"x145" up to 30KW Genset on the back. Includes 10" dia. helical foundations and entry stair. 90 degree landing included in all elevations

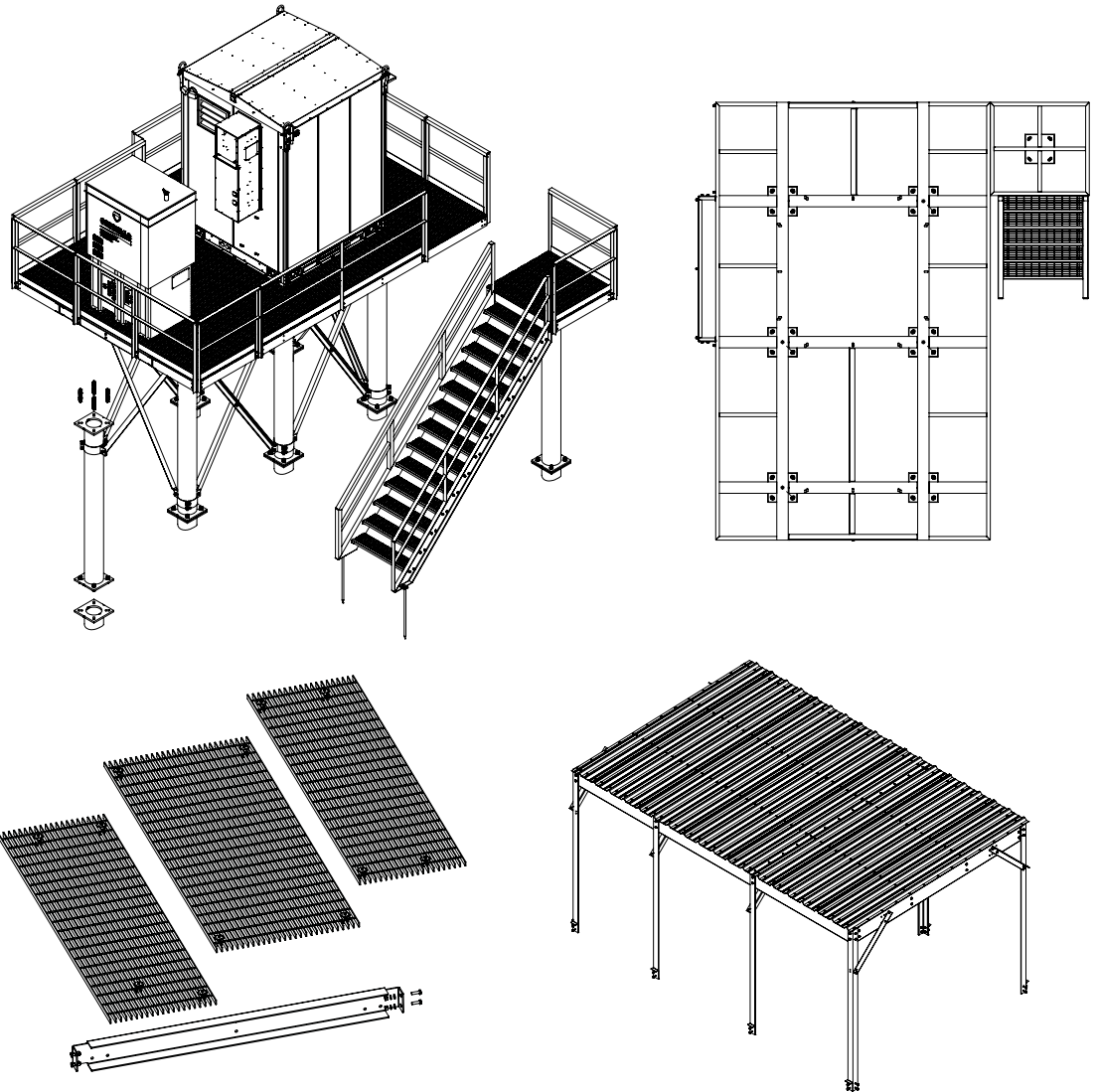
Special Notes
MUST BE ORDERED WITH CONVERSION KIT PART # 1000-0010-0160 - Grating KIT

Part Number
AT&T- CEQ.53677 EMI- 1000-0010-0160 ↓

Description
 Conversion kit to modify 80" x 80" genset platform to fully grated for WUC or cabinet installation.

Part Number
AT&T- CEQ.57485 EMI- 1001-0030-0036 ↓

Description
 184" x 117" bolt together canopy for WIC and WUC outdoor platform series 1000-0010-0146 and 1000-0010-0557.



EMI 1000-0010-0146-04 series platforms are approved for use with the included helical kit, provided that presumptive soil values listed in Annex F of TIA-222-H are met. It is the responsibility of the Owner to verify that site-specific soil conditions meet or exceed the mechanical properties referenced in Annex F. For platforms with elevations greater than 4'-0", contact EMI for project-specific foundation design and verification.

WUC/Combo Elevated Platform **Required** Conversion Kit & Optional Canopy [0557]

Part Number	Elevation
AT&T- CEQ.59829 EMI- 1000-0010-0557-04 ↓	4 ft
AT&T- CEQ.59822 EMI- 1000-0010-0557-06 ↓	6 ft
AT&T- CEQ.59814 EMI- 1000-0010-0557-08 ↓	8 ft
AT&T- CEQ.59831 EMI- 1000-0010-0557-10 ↓	10 ft
AT&T- CEQ.59827 EMI- 1000-0010-0557-12 ↓	12 ft
AT&T- CEQ.59824 EMI- 1000-0010-0557-14 ↓	14 ft
AT&T- CEQ.59825 EMI- 1000-0010-0557-16 ↓	16 ft
AT&T- CEQ.59832 EMI- 1000-0010-0557-18 ↓	18 ft
AT&T- CEQ.59833 EMI- 1000-0010-0557-20 ↓	20 ft

↓ Click the **EMI** part number to download drawing.

Description
Elevated WUC-genset combo platform kit, 230"x145" up to 30KW Genset on the back. Includes entry stair. 90 degree landing included in all elevations. Does not include helical foundations.

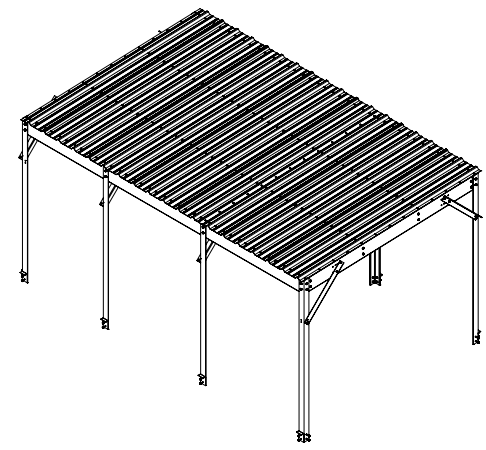
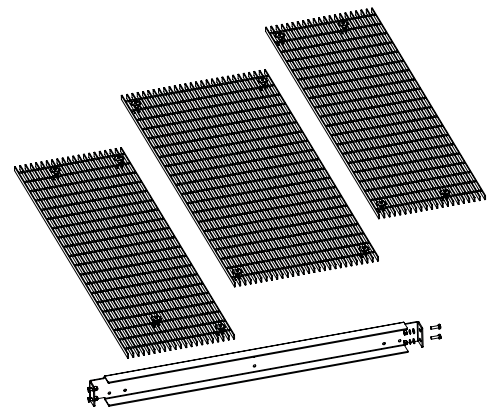
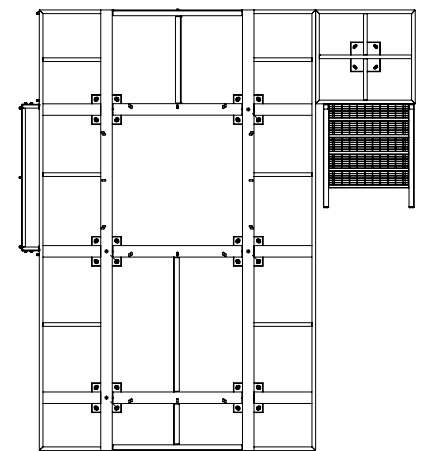
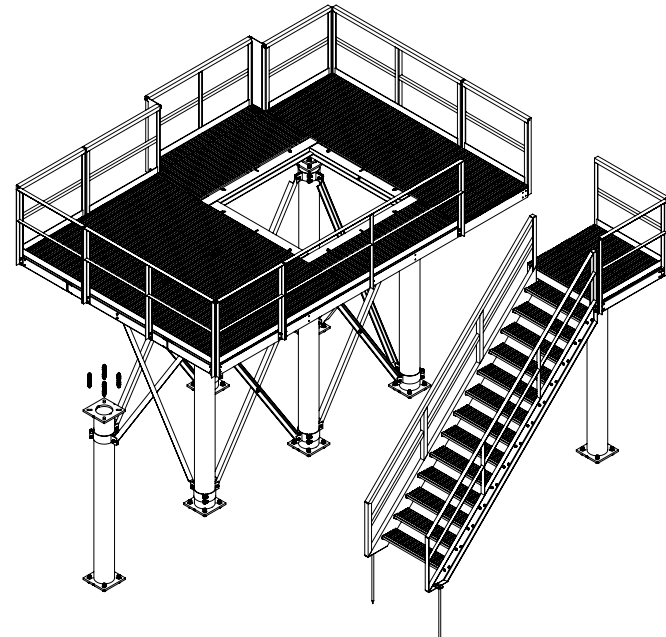
Special Notes
MUST BE ORDERED WITH CONVERSION KIT PART # 1000-0010-0160 - Grating KIT

Part Number
AT&T- CEQ.53677 EMI- 1000-0010-0160 ↓

Description
Conversion kit to modify 80" x 80" genset platform to fully grated for WUC or cabinet installation.

Part Number
AT&T- CEQ.57485 EMI- 1001-0030-0036 ↓

Description
184" x 117" bolt together canopy for WIC and WUC outdoor platform series 1000-0010-0146 and 1000-0010-0557.



The 1000-0010-0557 platform is identical to the 1000-0010-0146 with the exception that the 0557 P/N does not include helical foundations.
EMI 1000-0010-0146-04 series platforms are approved for use with the included helical kit, provided that presumptive soil values listed in Annex F of TIA-222-H are met. It is the responsibility of the Owner to verify that site-specific soil conditions meet or exceed the mechanical properties referenced in Annex F. For platforms with elevations greater than 4'-0", contact EMI for project-specific foundation design and verification.

166" x 80" WIC/Combo Gravity Mount Skid Platform

Part Number

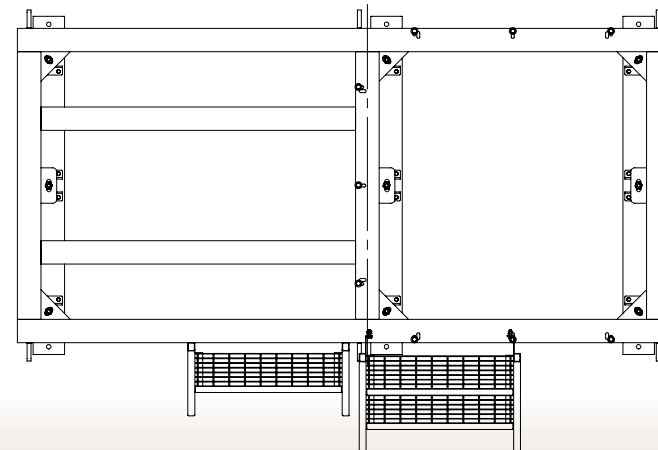
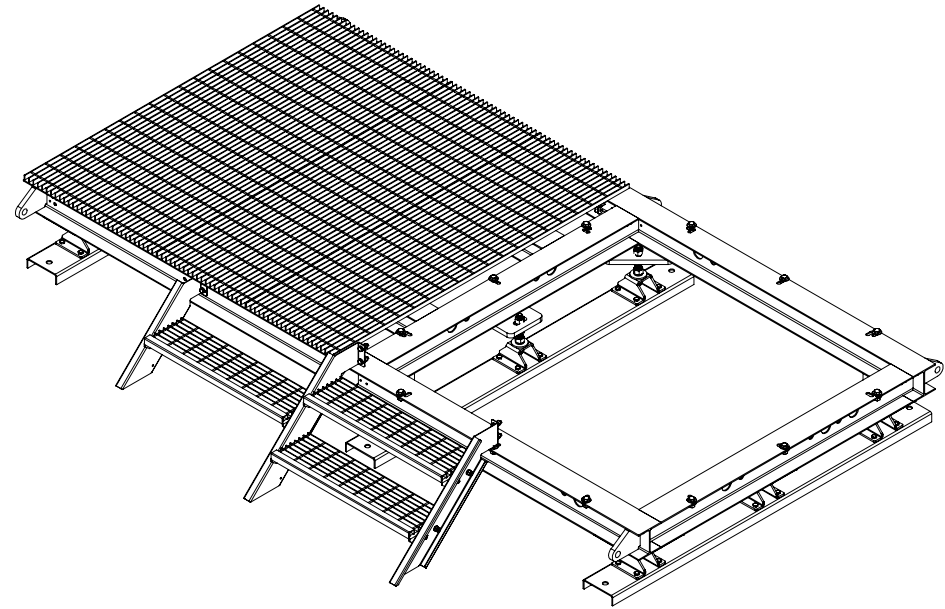
AT&T- CEQ.53657

EMI- [1000-0010-0123](#) ↓

↓ [Click the EMI part number to download drawing.](#)

Description

WIC-genset combo 166"x 80" gravity mount platform for 80"x80" WIC and genset. Includes 2-step, 3-step stair and gravity mount foundations



166" x 80" WIC/Combo Helical Mount Grade Platform

Part Number

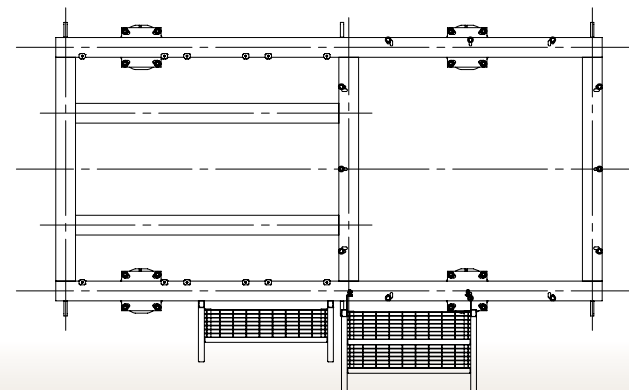
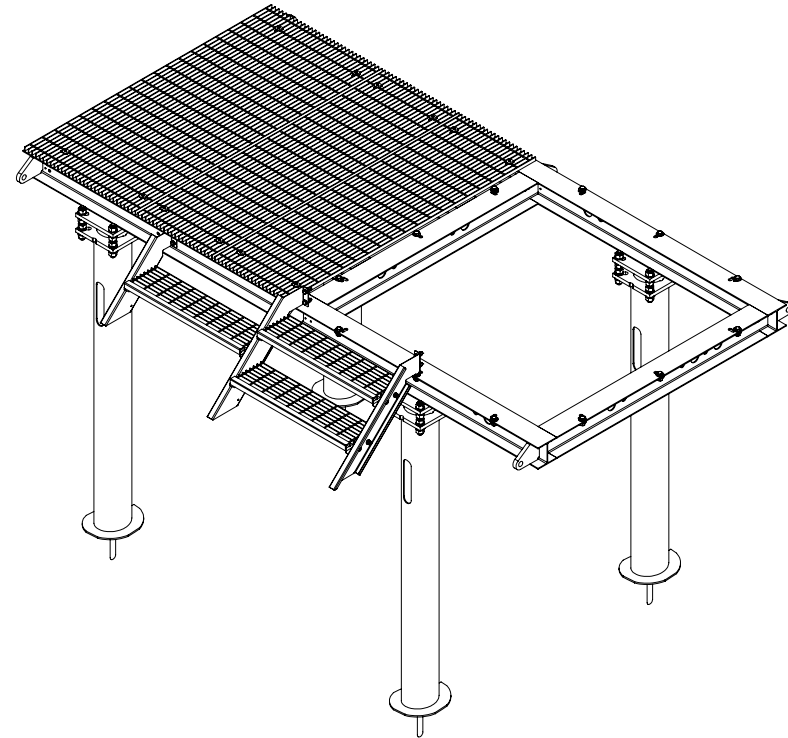
AT&T- CEQ.53663

EMI- [1000-0010-0122](#) ↓

↓ [Click the EMI part number to download drawing.](#)

Description

WIC-genset combo 166"x 80" helical mount platform and genset. Includes 1-step, 2-step entry stair and helical foundations.



302" X 130" Pad Mount Solar Canopy Frame for WIC and Generator

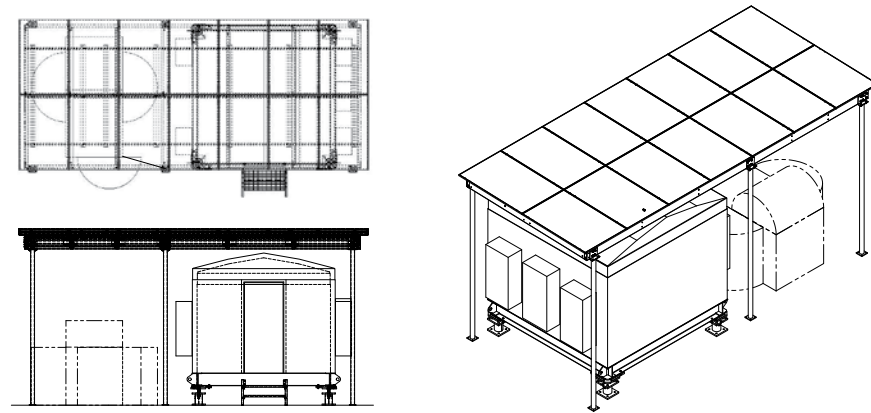
Part Number

AT&T- CEQ.59800 **EMI-** [1001-0030-0097](#) ↓

↓ [Click the EMI part number to download drawing.](#)

Description

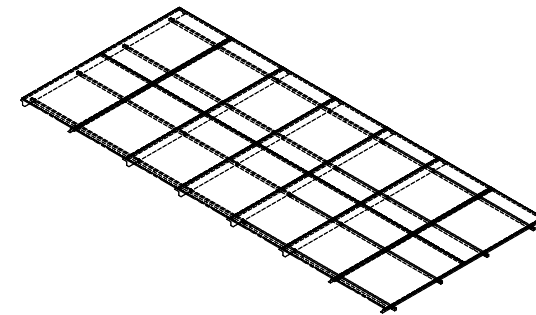
302" x 130" Concrete mounted canopy frame kit for use with solar panel mounting kits below.



Solar Panel Mount Kit for 1001-0030-0097

Panel Model	Part Number	MAX QTY
MITREX M405-LH3 / M405-I3H	AT&T- CEQ.60944 EMI- 1000-0030-0241 ↓	14

↓ [Click the EMI part number to download drawing.](#)



WIC Concrete Mount

Part Number

AT&T- CEQ.53655 **EMI-** [1007-0000-0012](#) ↓

↓ [Click the EMI part number to download drawing.](#)

Description

WIC pad mount corner kit, 17" mounting feet, 2-step stair with leveling hardware.

