



AT&T WUC Ordering Guide



1-800-453-0050

www.emiproducts.com

11230 Neeshaw Drive, Houston, Texas 77065

180" x 87 1/4" WUC/Combo Platform with Mesh Canopy & Optional Wing Kit for 30kW Genset

Part Number

AT&T- CEQ.53661 **EMI-** [1000-0010-0131-FC](#) ↓

AT&T- CEQ.53673 **EMI-** [1000-0010-0131-SC](#) ↓

↓ [Click the EMI part number to download drawing.](#)

Description

OD cabinet gravity platform 180" x 87 1/4" with expanded metal canopy (not solid). Includes 1-step entry stair, gravity mount feet and unistrut kit.

Special Notes

FC - Factory Configured - pre-assembled unit
 SC - Site Configured - on-site assembly

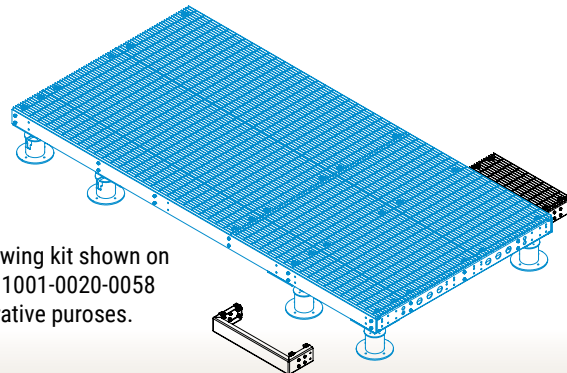
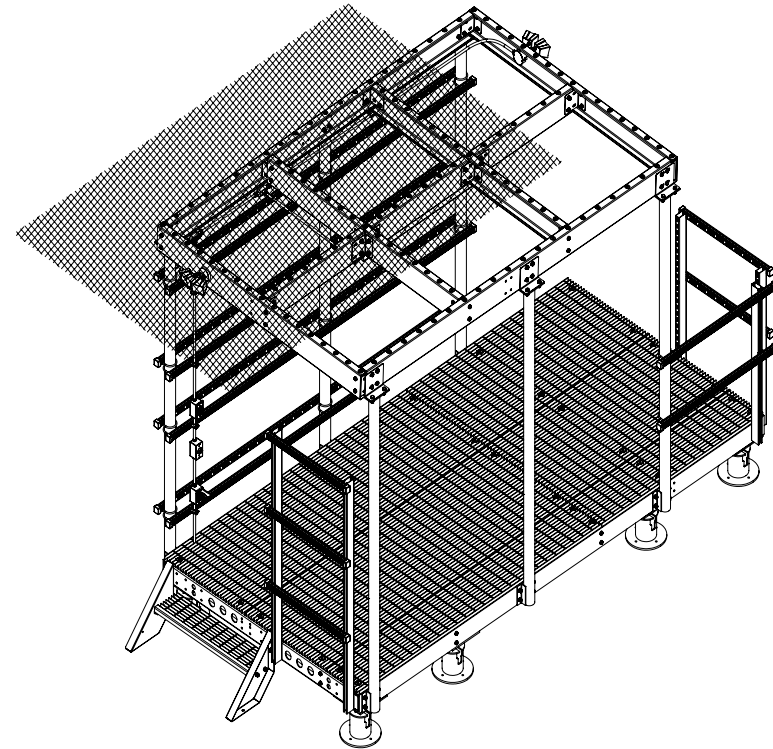
Part Number

AT&T- CEQ.53681 **EMI-** [1000-0020-0032](#) ↓

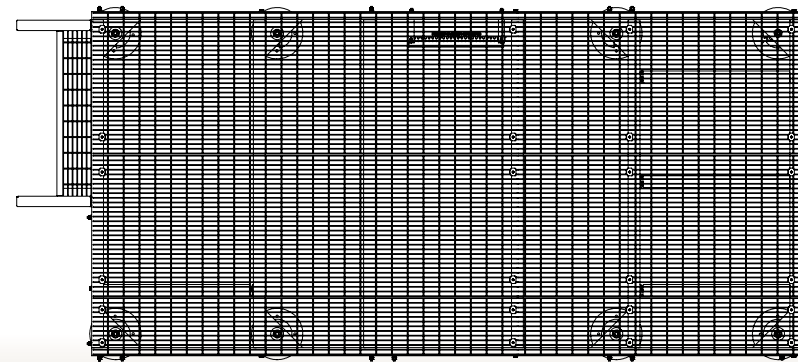
↓ [Click the EMI part number to download drawing.](#)

Description

OD cabinet platform 30kW generator extension with two 12" extension wings set.



Optional wing kit shown on platform 1001-0020-0058 for illustrative purposes.



180" x 87 1/4" WUC/Combo Platform with Canopy & Optional Wing Kit for 30kW Genset

Part Number	Elevation
AT&T- CEQ.53654 EMI- 1000-0010-0102-FC ↓	Ground
AT&T- CEQ.53679 EMI- 1000-0010-0102-SC ↓	Ground

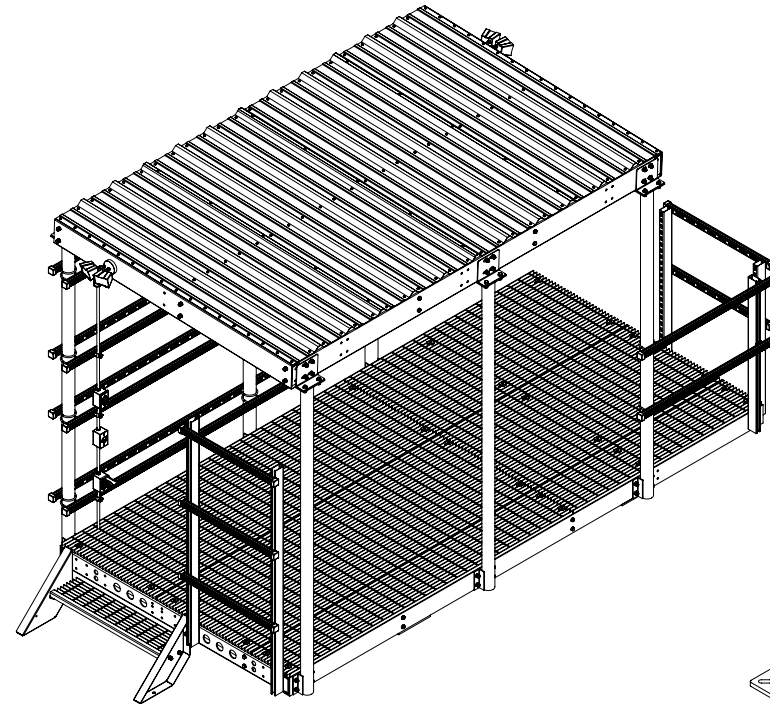
↓ Click the EMI part number to download drawing.

Description
 OD cabinet equipment platform w/canopy 180" x 87 1/4". Includes stair kit, lighting, and unistruts.

Special Notes
 FC - Factory Configured - pre-assembled unit
 SC - Site Configured - on-site assembly
 4 ft elevated unit uses ladder for compact footprint

Part Number	Elevation
AT&T- CEQ.53681 EMI- 1000-0020-0032 ↓	

Description
 OD cabinet platform 30kW generator extension with two 12" extension wings set.



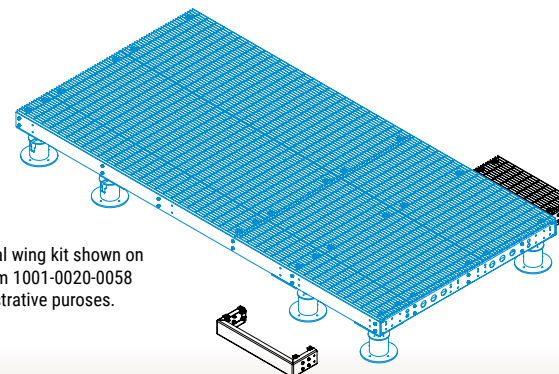
Helical and Concrete Foundations Sold Separately

Part Number	Elevation
AT&T- CEQ.53658 EMI- 1008-0050-0011 ↓	

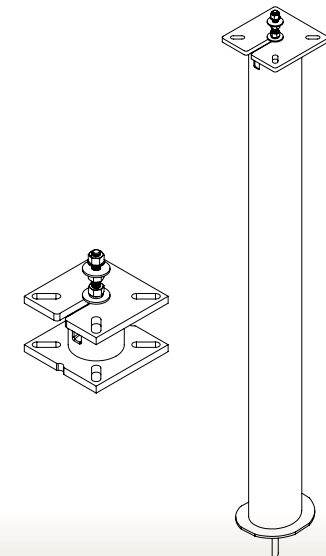
Description
 10" dia. x 10' high helical foundation (4 unit kit), single stud leveling.

Part Number	Elevation
AT&T- CEQ.53682 EMI- 1008-0030-0005 ↓	

Description
 6" dia. x 8' high concrete mount extension with single stud leveling hardware. (4 unit Kit)



Optional wing kit shown on platform 1001-0020-0058 for illustrative purposes.



180" x 87 1/4" WUC/Combo Platform without Canopy & Optional Wing Kit for 30kW Genset

Part Number

AT&T- CEQ.53675 EMI- [1000-0010-0128-FC](#) ↓

↓ Click the EMI part number to download drawing.

Description

OD cabinet gravity platform without canopy 180" x 87 1/4". Includes 1-step entry stair, gravity mount feet and unistrut kit, factory assembled.

Special Notes

FC - Factory Configured - pre-assembled unit
 SC - Site Configured - on-site assembly
 4 ft elevated unit uses ladder for compact footprint

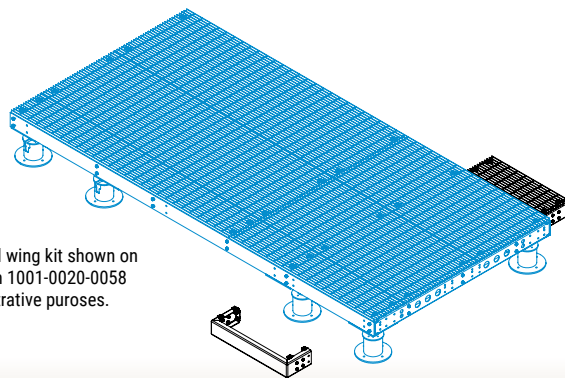
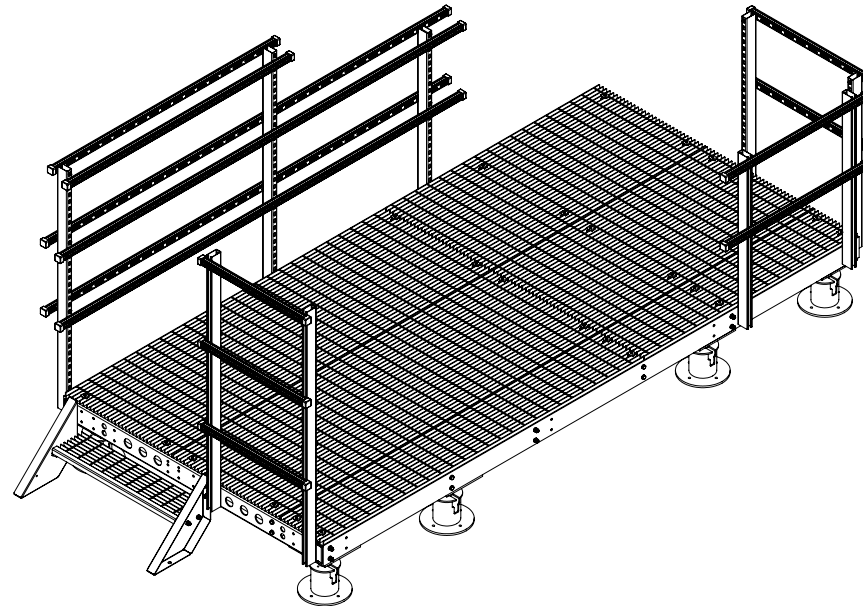
Part Number

AT&T- CEQ.53681 EMI- [1000-0020-0032](#) ↓

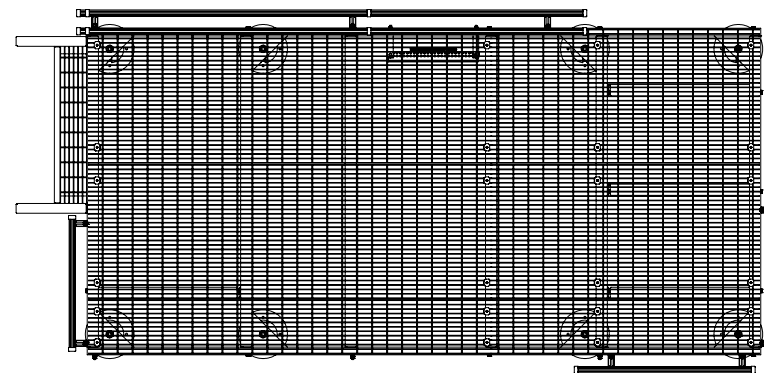
↓ Click the EMI part number to download drawing.

Description

OD cabinet platform 30kW generator extension with two 12" extension wings set.



Optional wing kit shown on platform 1001-0020-0058 for illustrative purposes.



WUC/Combo Elevated Platform Required Conversion Kit & Optional Canopy [0146]

Part Number	Elevation
AT&T- CEQ.53671 EMI- 1000-0010-0146-04 ↓	4 ft
AT&T- CEQ.53666 EMI- 1000-0010-0146-06 ↓	6 ft
AT&T- CEQ.53656 EMI- 1000-0010-0146-08 ↓	8 ft
AT&T- CEQ.53659 EMI- 1000-0010-0146-10 ↓	10 ft
AT&T- CEQ.53664 EMI- 1000-0010-0146-12 ↓	12 ft
AT&T- CEQ.57514 EMI- 1000-0010-0146-14 ↓	14 ft
AT&T- CEQ.57484 EMI- 1000-0010-0146-16 ↓	16 ft
AT&T- CEQ.57168 EMI- 1000-0010-0146-18 ↓	18 ft
AT&T- CEQ.57166 EMI- 1000-0010-0146-20 ↓	20 ft

↓ Click the EMI part number to download drawing.

Description
 Elevated WUC-genset combo platform kit, 230"x145" up to 30KW Genset on the back. Includes 10" dia. helical foundations and entry stair. 90 degree landing included in all elevations

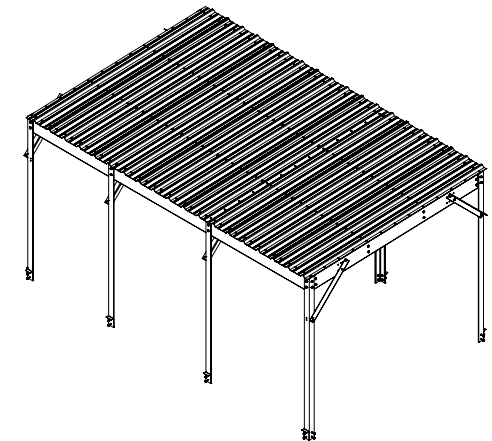
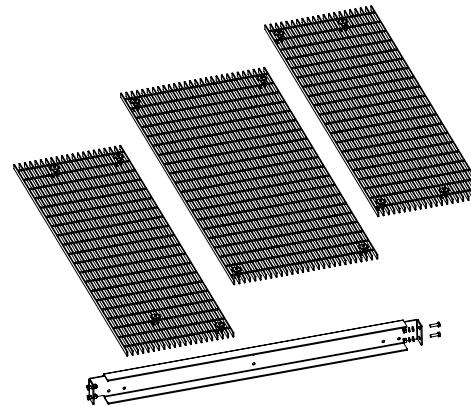
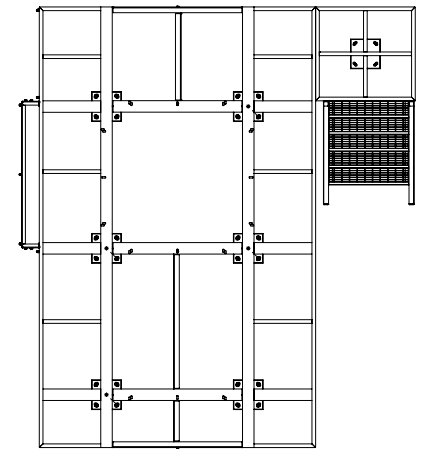
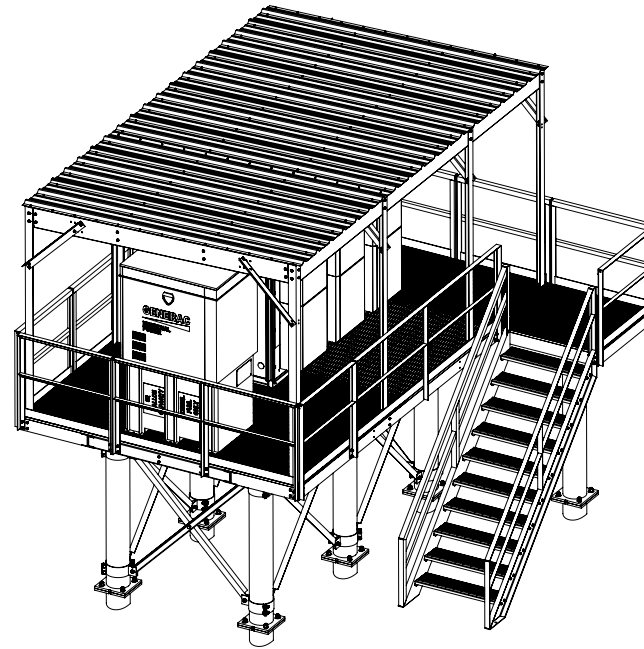
Special Notes
MUST BE ORDERED WITH CONVERSION KIT PART # 1000-0010-0160 - Grating KIT

Part Number
AT&T- CEQ.53677 EMI- 1000-0010-0160 ↓

Description
 Conversion kit to modify 80" x 80" genset platform to fully grated for WUC or cabinet installation.

Part Number
AT&T- CEQ.57485 EMI- 1001-0030-0036 ↓

Description
 184" x 117" bolt together canopy for WIC and WUC outdoor platform series 1000-0010-0146 and 1000-0010-0557.



EMI 1000-0010-0146-04 series platforms are approved for use with the included helical kit, provided that presumptive soil values listed in Annex F of TIA-222-H are met. It is the responsibility of the Owner to verify that site-specific soil conditions meet or exceed the mechanical properties referenced in Annex F. For platforms with elevations greater than 4'-0", contact EMI for project-specific foundation design and verification.

WUC/Combo Elevated Platform **Required** Conversion Kit & Optional Canopy [0557]

Part Number	Elevation
AT&T- CEQ.59829 EMI- 1000-0010-0557-04 ↓	4 ft
AT&T- CEQ.59822 EMI- 1000-0010-0557-06 ↓	6 ft
AT&T- CEQ.59814 EMI- 1000-0010-0557-08 ↓	8 ft
AT&T- CEQ.59831 EMI- 1000-0010-0557-10 ↓	10 ft
AT&T- CEQ.59827 EMI- 1000-0010-0557-12 ↓	12 ft
AT&T- CEQ.59824 EMI- 1000-0010-0557-14 ↓	14 ft
AT&T- CEQ.59825 EMI- 1000-0010-0557-16 ↓	16 ft
AT&T- CEQ.59832 EMI- 1000-0010-0557-18 ↓	18 ft
AT&T- CEQ.59833 EMI- 1000-0010-0557-20 ↓	20 ft

↓ Click the EMI part number to download drawing.

Description
Elevated WUC-genset combo platform kit, 230"x145" up to 30KW Genset on the back. Includes entry stair. 90 degree landing included in all elevations. Does not include helical foundations.

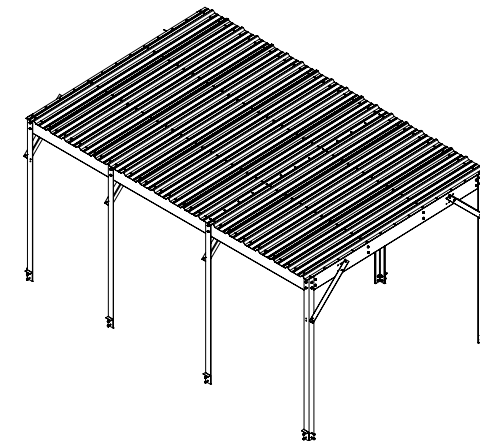
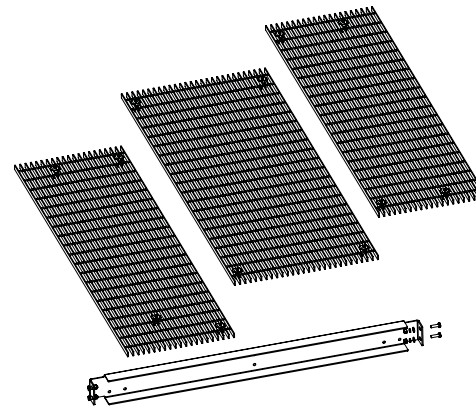
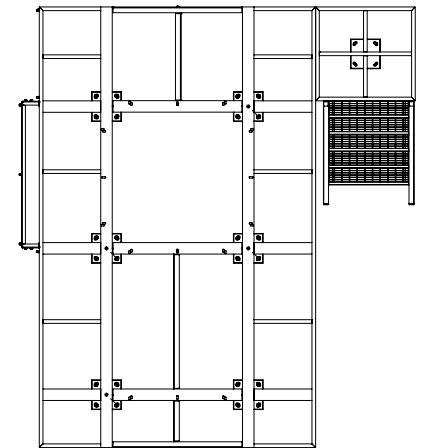
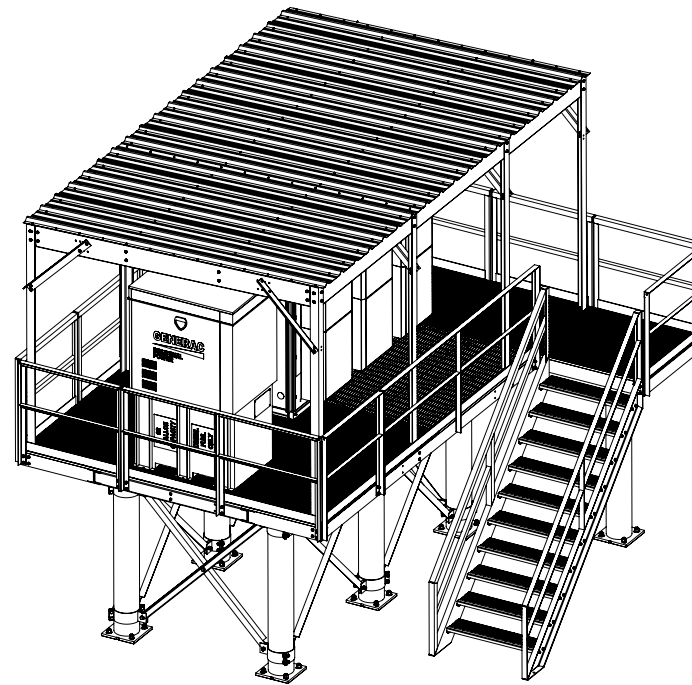
Special Notes
MUST BE ORDERED WITH CONVERSION KIT PART # 1000-0010-0160 - Grating KIT

Part Number
AT&T- CEQ.53677 EMI- 1000-0010-0160 ↓

Description
Conversion kit to modify 80" x 80" genset platform to fully grated for WUC or cabinet installation.

Part Number
AT&T- CEQ.57485 EMI- 1001-0030-0036 ↓

Description
184" x 117" bolt together canopy for WIC and WUC outdoor platform series 1000-0010-0146 and 1000-0010-0557.



EMI 1000-0010-0146-04 series platforms are approved for use with the included helical kit, provided that presumptive soil values listed in Annex F of TIA-222-H are met. It is the responsibility of the Owner to verify that site-specific soil conditions meet or exceed the mechanical properties referenced in Annex F. For platforms with elevations greater than 4'-0", contact EMI for project-specific foundation design and verification.

102" x 75" WUC Gravity/Pad Mount Platform & Optional Single Step Kit

Part Number

AT&T- CEQ.54437 **EMI-** [1010-0010-0118](#) ↓

↓ [Click the EMI part number to download drawing.](#)

Description

WUC gravity mount platform assembly 102" x 75" with steel grating and leveling feet.

Single Step Kit Sold Separately

Part Number

AT&T- CEQ.51644 **EMI-** [1003-0000-0020](#) ↓

↓ [Click the EMI part number to download drawing.](#)

Description

WUC single step stair kit 45 degree including hardware.

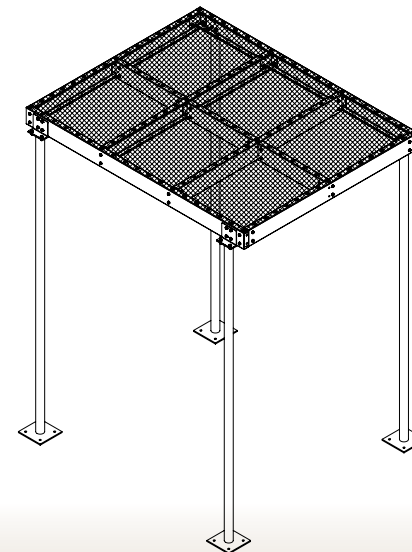
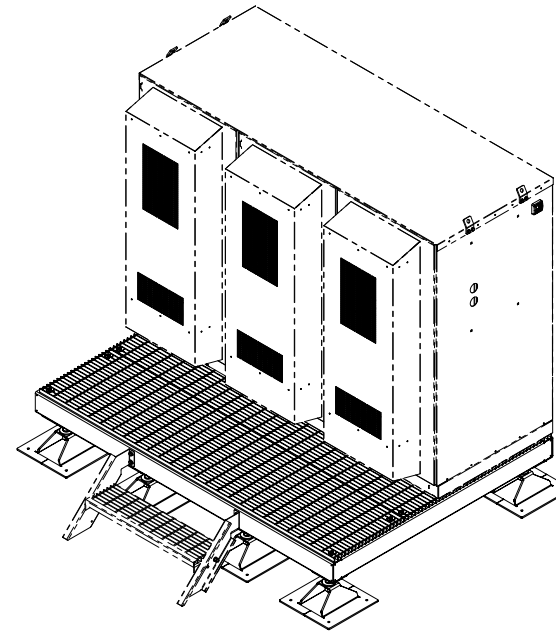
Part Number

AT&T- CEQ.65872 **EMI-** [1001-0030-0106](#) ↓

↓ [Click the EMI part number to download drawing.](#)

Description

120" x 96" Ice Bridge Canopy (expanded metal)
**concrete pad installation only*



156" x 106" WUC - 3 Bay/Genset Gravity/Pad Mount Platform

Part Number

AT&T- CEQ.48196 EMI- [1010-0010-0171](#) ↓

↓ [Click the EMI part number to download drawing.](#)

Description

3-Bay WUC/genset gravity mount platform kit 156" x 106" with 1" steel grating and 8 leveling feet grade level.

156" x 106" WUC - 3 Bay/Genset Helical Mount Platform

Part Number

AT&T- CEQ.65863 EMI- [1000-0010-0597](#) ↓

↓ [Click the EMI part number to download drawing.](#)

Description

Generator up to 50 kW gravity mount platform kit 156" x 106" with 1" steel grating and 8 Qty 6" x 10' helical foundations and leveling hardware.

Single Step Kit Sold Separately

Part Number

AT&T- CEQ.51644 EMI- [1003-0000-0020](#) ↓

↓ [Click the EMI part number to download drawing.](#)

Description

Single step stair kit 45 degree including hardware.

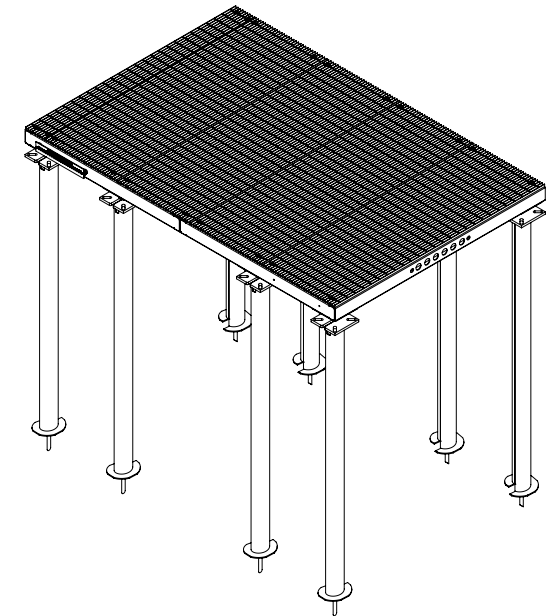
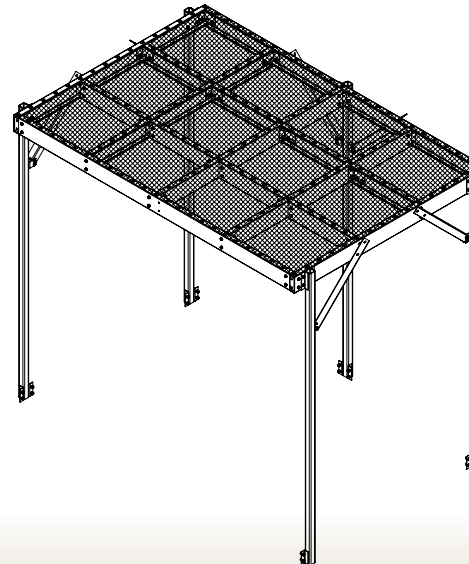
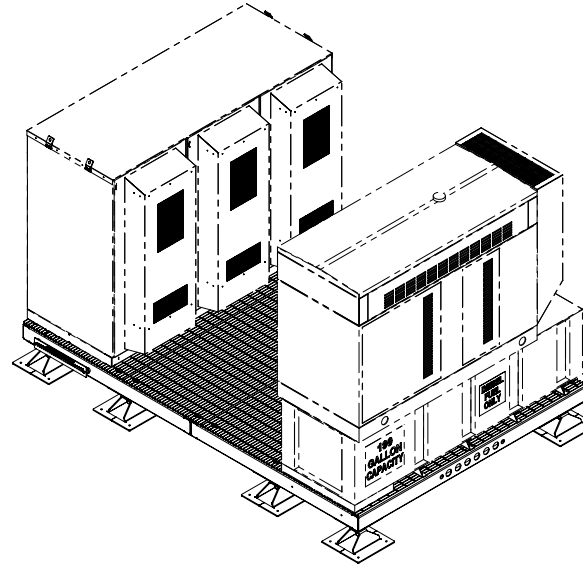
Part Number

AT&T- CEQ.65876 EMI- [1001-0030-0107](#) ↓

↓ [Click the EMI part number to download drawing.](#)

Description

150" x 106" Ice Bridge Canopy (expanded metal)



95" x 33" DELTA WUC - Helical Mount Skid

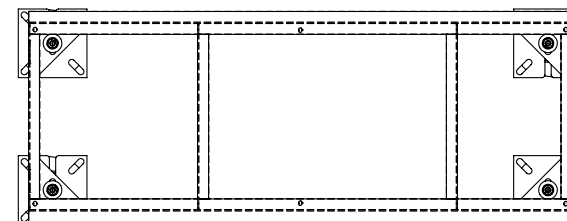
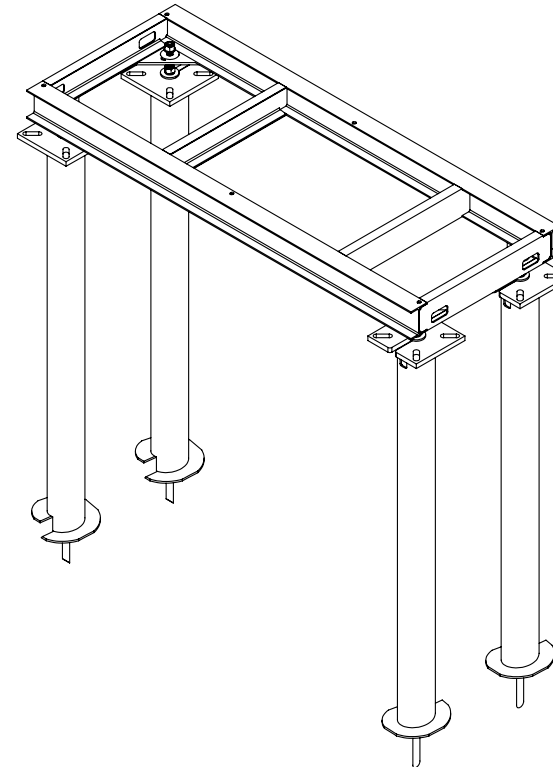
Part Number

AT&T- CEQ.54436 EMI- [1010-0010-0160](#) ↓

↓ [Click the EMI part number to download drawing.](#)

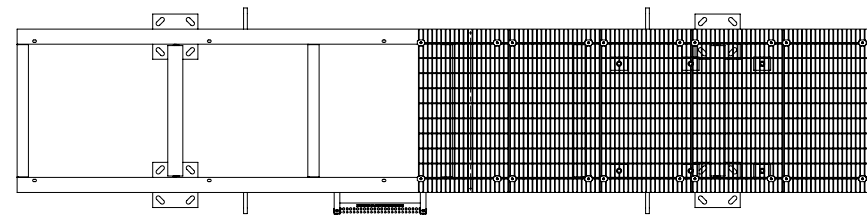
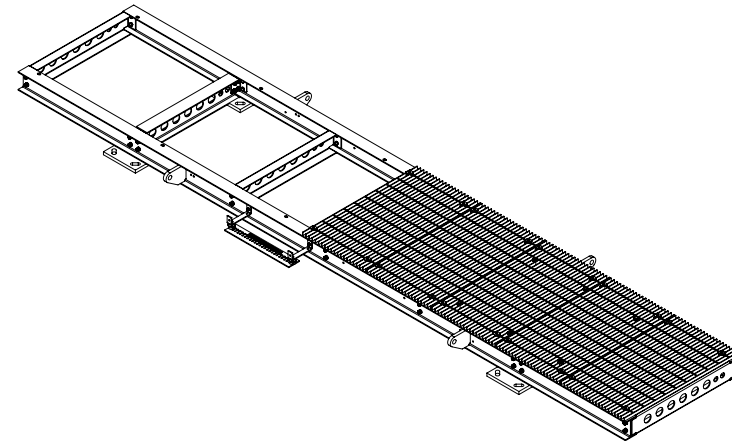
Description

Delta WUC helical mount platform kit 95" x 33" and 4 Qty 6" x 7' helical foundations and leveling hardware.

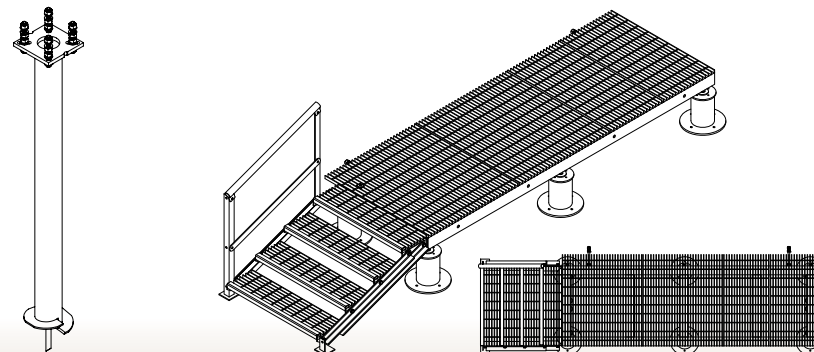


228" x 43 3/8" Generator Plinth Kit

Part Number
AT&T- NEQ.20738 EMI- W-000-954 ↓ ↓ Click the EMI part number to download drawing.
Description
Generator rail plinth kit 228" x 43 3/8" platform. Includes genset clamp kit, grating and ground bar kit.
Part Number
AT&T- CEQ.54367 EMI- 1000-0020-0034 ↓ ↓ Click the EMI part number to download drawing.
Description
6" dia. x 7' high helical foundation (4 unit kit) with quad mount leveling hardware.
Part Number
AT&T- CEQ.67217 EMI- 1000-0010-0593 ↓ ↓ Click the EMI part number to download drawing.
Description
Optional elevation adjustable walkway with stair. 18"-30" height range.



Install platform at grade level when helical foundations are used.



114" X 144" Pad Mount Canopy

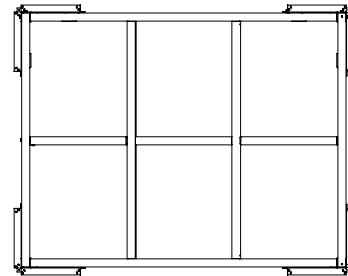
Part Number

AT&T- CEQ.59292 EMI- [1001-0030-0075](#) ↓

↓ [Click the EMI part number to download drawing.](#)

Description

114" x 144" Concrete mounted canopy kit.



FRAME ONLY

